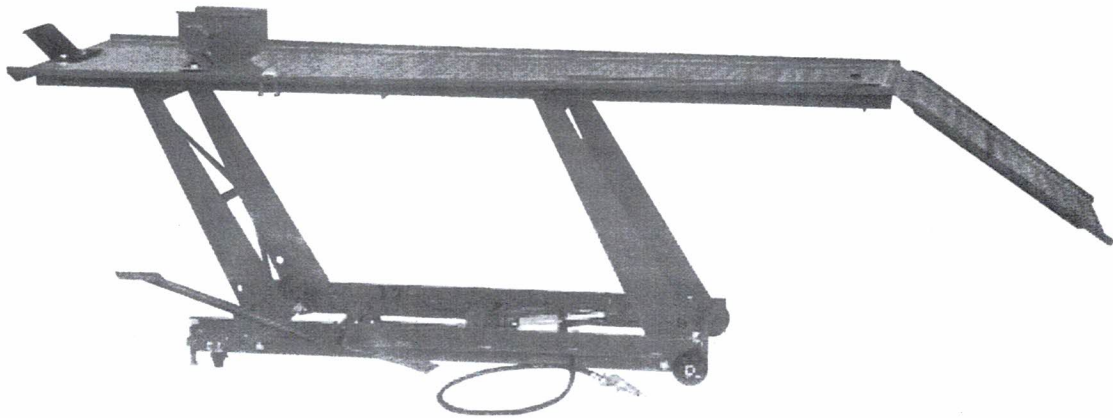


# **1000 LBS AIR/MANUAL MOTORCYCLE LIFT**



## **Instruction Manual**

Please read this instruction manual carefully before use.

## IMPORTANT

**PLEASE READ THESE INSTRUCTIONS CAREFULLY. NOTE THE SAFETY INSTRUCTIONS N WARNINGS. USE THE PRODUCT CORRECTLY AND WITH CARE FOR THE PURPOSE FOR WHICH IT IS INTENDED. FAILURE TO DO SO MAY CAUSE DAMAGE TO PROPERTY AND/OR PERSONAL INJURY. PLEASE KEEP THIS INSTRUCTION MANUAL SAFE FOR FUTURE USE.**

## 1. SAFETY INSTRUCTIONS AND WARNINGS

- 1.1 Use a qualified person to maintain the lift in good condition. Keep it clean for best and safest performance.
- 1.2 The maximum load is 1000lbs. **DO NOT** exceed this rated capacity.
- 1.3 Use this lift for lifting purpose only. **DO NOT** use it for any other purpose it is not designed to perform.
- 1.4 Keep children and unauthorized persons away from the work area.
- 1.5 Remove ill fitting clothing. Remove ties, watches, rings and other loose jewelry, and contain long hair.
- 1.6 Wear ANSI approved safety goggles when operating the lift.
- 1.7 Keep proper balance and footing, do not overreach and wear nonskid footwear.
- 1.8 Only use this lift on a surface that is stable, level, dry and not slippery, and capable of sustaining the load. Keep the surface clean, tidy and free from unrelated materials and ensure that there is adequate lighting.
- 1.9 Before use check to ensure that all applicable bolts and nuts are firmly tightened.
- 1.10 Before use stabilize the lift by turning the adjusting screws down so that the castors are raised off the ground.
- 1.11 Ensure the motorcycle is adequately secured to the platform with appropriate straps before operating.
- 1.12 When the platform has been raised to the working height, ensure the locking bar is engaged to prevent accidental lowering.
- 1.13 Before lowering lift ensure that there are no obstructions underneath and that all persons are standing clear.
- 1.14 Always keep your hands and feet away from moving parts.
- 1.15 **DO NOT** attempt to transport a load on the lift. The lift must only be used in a static position for lifting and lowering loads. Ensure that the load remains stable at all times.
- 1.16 **DO NOT** use the lift if damaged, any suspect parts are noted or it has been subjected to a shock load.
- 1.17 **DO NOT** operate the lift when you are tired or under the influence of alcohol, drugs or any intoxicating medication.
- 1.18 **DO NOT** allow untrained persons to operate the lift.
- 1.19 **DO NOT** make any modifications to the lift.
- 1.20 **DO NOT** expose the lift to rain or any other kind of bad weather.
- 1.21 If the lift need repairing and/or there are any parts which need to be replaced, have it repaired by authorized technicians and only use the replacement parts supplied by the manufacturer.
- 1.22 **WARNING:** The warnings, cautions and instructions discussed in this instruction manual cannot cover all possible conditions and situations that may occur. It must be understood by the operator that common sense and caution are factors which cannot be built into this product, but must be supplied by the operator.

## 2. SPECIFICATIONS

Capacity.....	1000lb	Width.....	680mm
Minimum Height.....	180mm	Maximum Height .....	750mm
Air Inlet Fitting.....	1/4inch NPT	Air Pressure.....	120-200PSI

## 3. ASSEMBLY

Unpack the lift and check contents with list below. Should there be any damaged or missing parts, contact your supplier immediately.

Content

- Main Assembly
- Sliding Plate
- Leading Plate
- Vice
- Lift Foot Pedal
- Release Foot Pedal
- Locking Bar
- Bolts, Washers, Nuts, Cotter Pins

- 3.1 Place the sliding plate (36) to the platform (35) to cover the rear wheel removal aperture.
- 3.2 Attach leading plate (37) to end of platform using washers (23) and R-pins (04).
- 3.3 Fit the front wheel vice assembly (34) to the front of the platform using bolts (33), washers (23) and nuts (30).
- 3.4 Fit the baffle plate (32) using bolts (33), washers (23) and nuts (30).
- 3.5 Fit the lift foot pedal (11) to the pump piston spindle (9) and fit the release foot pedal (10) to the release valve spindle (5).

## 4. BEFORE FIRST USE

- 4.1 Leave the pump for one hour to allow the oil to settle before purging the system.

**NOTE:** Failure to allow sufficient time for the oil to settle could result in air remaining in the oil. In this event, the pump will not purge completely first time and a second purge will be required.

- 4.2 Connect the air inlet fitting into the air supply hose lock fitting and fully press the release foot pedal (10), then turn on the air valve (P26) letting the pump work for 20 seconds to eliminate any air in the hydraulic system.
- 4.3 Test the lift, unladen, by raising it to full height and then lowering it. Depress release foot pedal (10) slowly to control the rate of descent.



## 5. OPERATING INSTRUCTIONS

**WARNING!** Ensure that you read, understand and apply the safety instructions and warnings before use.

- 5.1 Position the lift in a suitable area, checking that the surface on which the lift will stand is solid and flat.
- 5.2 Turn the adjusting screw (18) down to raise the castors off the ground to prevent the lift from moving.
- 5.3 Wheel the motorcycle up the leading plate and onto the platform.

**NOTE:** There is a choice of mounting holes for the vice to cater for various sizes of motorcycle.

- 5.4 Clamp front wheel in vice to prevent any movement of the motorcycle.
- 5.5 Strap the motorcycle securely to the platform.
- 5.6 Connect the air inlet fitting into the air supply hose lock fitting, then turn on the air valve to raise the lift. When air source is not available, pump the lift foot pedal (11) to raise the lift.
- 5.7 When the platform has been raised to the working height, turn off the air valve (or stop pumping) and pass the locking bar (22) through the holes in the front lifting arm (38) so that the lift cannot be inadvertently lowered.
- 5.8 When work is done, check under the lift to ensure that there are no obstructions and that it is safe to lower the unit. Remove the locking bar and then **SLOWLY** press the release foot pedal to **GENTLY** lower the lift.

**NOTE:** The speed of lowering is controlled by the release valve. The more the valve is opened the more rapidly the lift descends. Ensure the decent is slow and controlled.

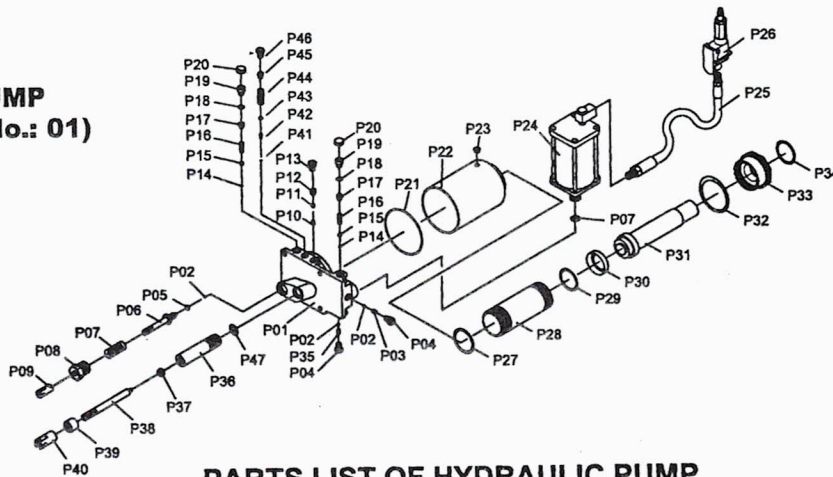
**NOTE:** The speed of lowering can also be adjusted by tightening or loosening the screw (Part No. P08).

- 5.9 When the lift is fully lowered, unstrap the motorcycle, open the vice jaws and remove the cycle from the lift.

## 6. MAINTENANCE

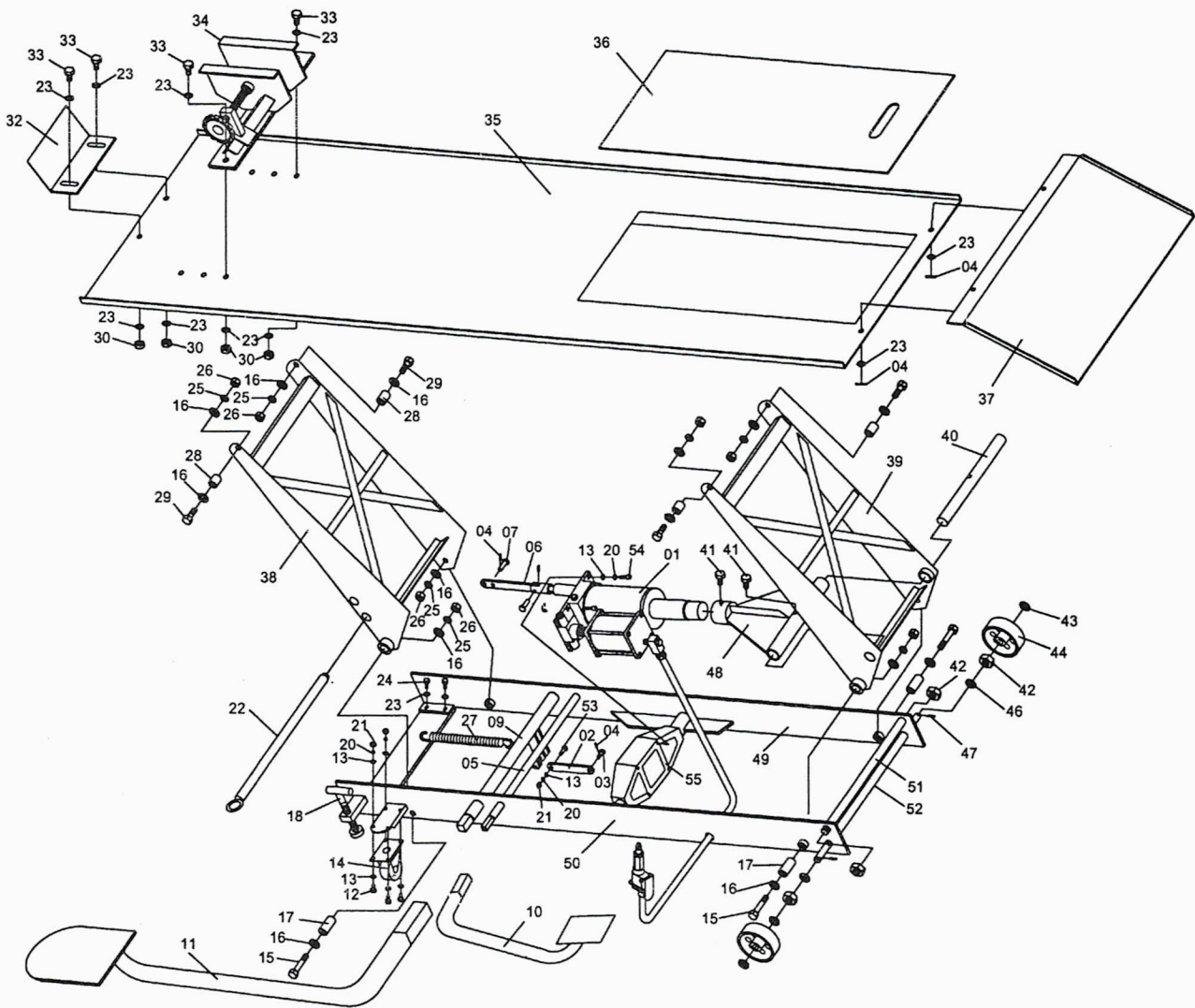
- 6.1 When not in use, the lift must be stowed in the lowest position in a dry location to minimize ram and piston corrosion.
- 6.2 Keep the lift clean and wipe off any oil or grease. Lubricate all moving parts.
- 6.3 Periodically check the ram and piston for signs of corrosion. Clean exposed areas with a clean oiled cloth.
- 6.4 Before each use check all parts. If any part of the lift is damaged or suspect, remove the lift from service and take necessary action to repair.
- 6.5 Check the hydraulic oil level. If not adequate, remove the filler plug (P23) on the pump and add hydraulic oil as necessary. **DO NOT** use brake fluid or any other improper fluid. Only a good quality hydraulic jack oil can be used.
- 6.6 When lift efficiency drops, purge away air from the hydraulic system as described in 4.2.

### AIR PUMP (Part No.: 01)



### PARTS LIST OF HYDRAULIC PUMP

PARTS NO.	DESCRIPTION	QNTY	PARTS NO.	DESCRIPTION	QNTY	PARTS NO.	DESCRIPTION	QNTY
P01	Base	1	P17	Screw	1	P33	Top nut	1
P02	Steel ball	3	P18	O-ring	1	P34	O-ring	1
P03	Spring	1	P19	Screw	1	P35	Spring	1
P04	Screw	2	P20	Screw protector	1	P36	Regulating plug	1
P05	O-ring	1	P21	Nylon ring	1	P37	Sealing ring	1
P06	Release valve	1	P22	Reservoir	1	P38	Pump piston	1
P07	Spring	1	P23	Filler plug	1	P39	Nut	1
P08	Screw	1	P24	Air motor	1	P40	Union nut	1
P09	Union nut	1	P25	Air hose	1	P41	Steel ball	1
P10	Spring	1	P26	Air valer	1	P42	Spring	1
P11	Steel ball	1	P27	Nylon ring	1	P43	Steel ball	1
P12	Screw	1	P28	Cylinder	1	P44	Spring	1
P13	Screw	1	P29	O-ring	1	P45	Screw	1
P14	Steel ball	1	P30	Nylon ring	1	P46	Screw	1
P15	Ball cup	1	P31	Piston rod	1	P47	Nylon ring	1
P16	Spring	1	P32	Nylon ring	1			



PARTS NO	DESCRIPTION	QNTY	PARTS NO	DESCRIPTION	QNTY	PARTS NO	DESCRIPTION	QNTY
01	Air pump	1	20	Lock washer 6mm	13	38	Front lifting arm	1
02	Link	1	21	Nut M6	9	39	Rear lifting arm	1
03	Pin	1	22	Locking bar	1	40	Lifting arm spindle	1
04	R-pin	5	23	Washer 10mm	14	41	Bolt M8x12	2
05	Release valve spindle	1	24	Bolt M10x20	4	42	Nut M16	4
06	Link	1	25	Lock washer 12mm	8	43	Washer 14mm	2
07	Pin	2	26	Nut M12	8	44	Front wheel	2
09	Pump piston spindle	1	27	Spring	1	46	Washer 16mm	2
10	Release foot pedal	1	28	Bush	4	47	Cotter pin	2
11	Lift foot pedal	1	29	Bolt M12x40	4	48	Connection	1
12	Bolt M6x16	8	30	Nut M10	4	49	Frame assy(RH)	1
13	Washer 6mm	21	32	Baffle plate	1	50	Frame assy(LH)	1
14	Castor fork assy	2	33	Bolt M10x25	4	51	Lifting arm top rod	1
15	Bolt M12x70	4	34	Vise assy	1	52	Front spindle	1
16	Washer 12mm	8	35	Platform	1	53	Bolt M6x30	1
17	Bush	4	36	Sliding plate	1	54	Bolt M6x20	4
18	Adjusting screw assy	2	37	Leading plate	1	55	Pump base	1