

# INSTALLATION & OPERATION MANUAL

# Atlas PV-9PX & PV-9HPX

9,000 lb. Capacity  
Two-Post Overhead Lift



**Atlas Automotive Equipment**  
[www.atlasautoequipment.com](http://www.atlasautoequipment.com)  
(866) 898-2604

Revised 9/5/2018

**Read this entire manual before operation begins.**

Record below the following information which is located on the serial number data plate.

Serial No. \_\_\_\_\_

Model No. \_\_\_\_\_

Date of Installation \_\_\_\_\_

---

# Contents

---

Specifications . . . . .	4
Installation Requirement . . . . .	6
Installation Steps . . . . .	8
Exploded View . . . . .	29
Test Run . . . . .	33
Operation Instructions. . . . .	35
Maintenance Schedule. . . . .	36
Trouble Shooting . . . . .	37
Parts List . . . . .	38
Warranty . . . . .	43

---

# Specifications

---

## Clear-Floor Direct-Driven Model Features

### Model PV-9PX, PV-9HPX

- Direct drive hydraulic cylinder design, minimizes the lift wear parts and breakdown ratio
- Dual hydraulic cylinders, designed and made on ANSI standards, utilizing NOK oil seal in cylinder
- Self-lubricating UHMW Polyethylene sliders and bronze bush
- Single-point safety release with dual safety design
- Clear-floor design, provides non-obstructed floor use
- Overhead safety shut-off device prevents vehicle damage
- Standard adjustable heights accommodates variety of ceiling heights

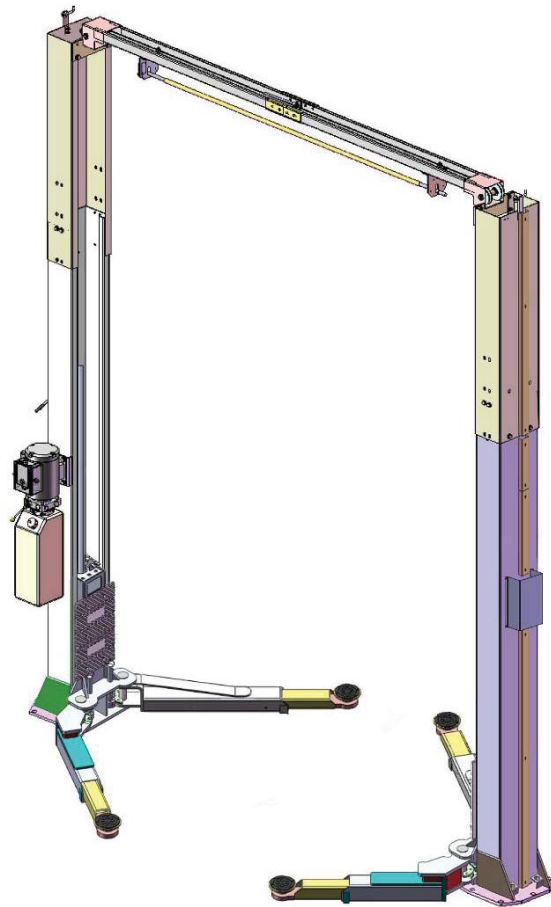


Fig. 1

# Model PV-9PX / PV-9HPX Specifications

Model	Style	Lifting Capacity	Lifting Time	Lifting Height	Overall Height	Overall Width	Width Between Columns	Minimum Pad Height	Motor
PV-9PX	Clear-floor Direct-drive	4 T 9,000 lbs	52S	1815-2044mm 71 1/2"-80 1/2"	3621/3821mm 142 1/2"/ 150 1/2"	3428mm 135"	2850mm 112 1/4"	90mm 3 1/2"	3.0 HP
PV-9HPX	Clear-floor Direct-drive	4 T 9,000 lbs	52S	1815-2044mm 71 1/2"-80 1/2"	4231/4431mm 166 1/2" /174 1/2"	3428mm 135"	2850mm 112 1/4"	90mm 3 1/2"	3.0 HP

## Arm Swings View For Model PV-9PX, PV-9HPX

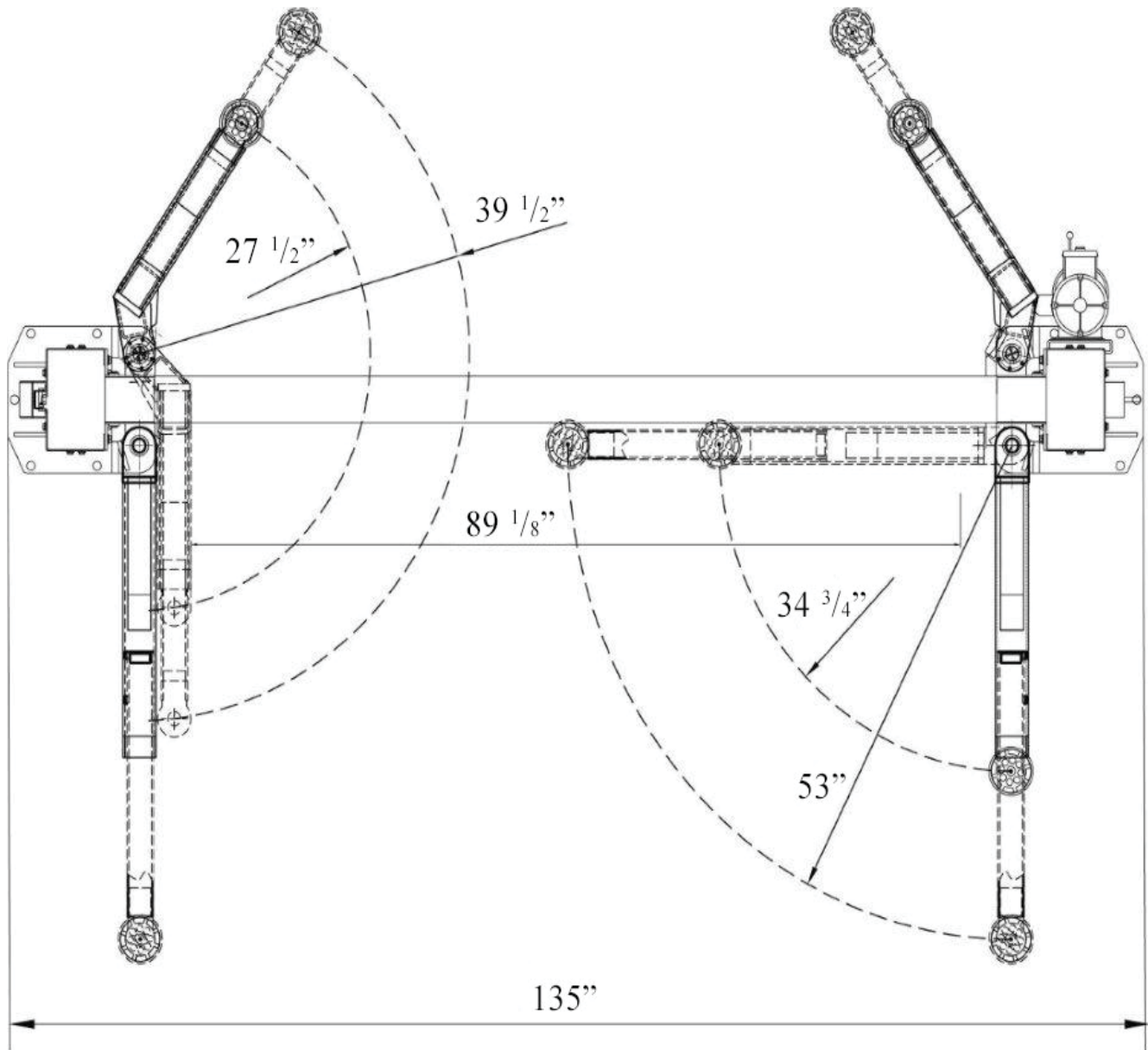


Fig. 2

# Installation Requirement

---

## Tools Required

Rotary Hammer Drill (3/4in bit)



Carpenter's Chalk



Hammer



Screw Drivers



4 Foot Level



Tape Measure (25ft)



Crescent Wrench (12")



Pliers



Ratchet & Socket (28mm)



Allen Head Wrench (3mm, 5mm, 8mm)



Wrench set (mm)  
(8#, 10#, 13#, 14#, 17#, 19#, 24#)



Vise Grips



Fig. 3

# Concrete Specifications

Concrete specifications must be followed accordingly.

Failure to do so may result in lift and/or vehicle falling.

1. Concrete must have 4 inches minimum and must be totally cured before lift installation.
2. Concrete must be in good condition and must have a test strength 3,000psi minimum.
3. Floors must be level with no cracks or holes.

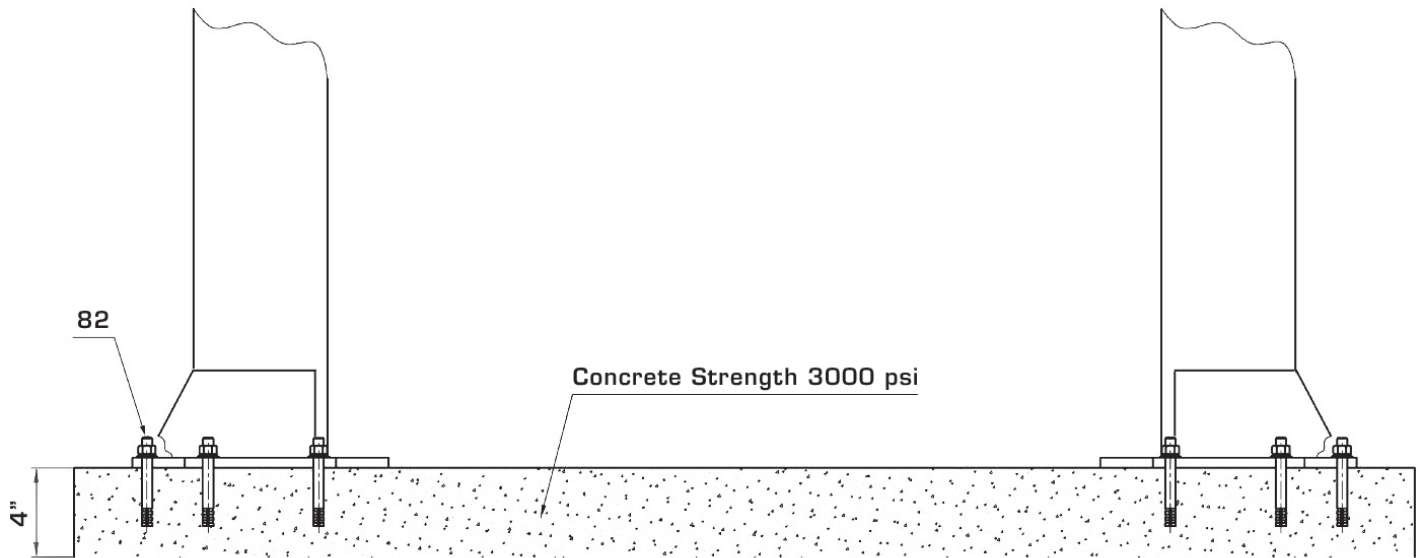


Fig. 4

## Power Supply

220 volt single phase motor on a 30 amp breaker with minimum of 10 gauge wire. Operating voltage range is 208v-230v.

# Installation Steps

## A. Location of Installation

Check and insure the installation location (concrete, layout, space size, etc.) is suitable for lift installation.

## B. Use A Carpenter's Chalk Line To Establish Installation Layout Of Base Plate

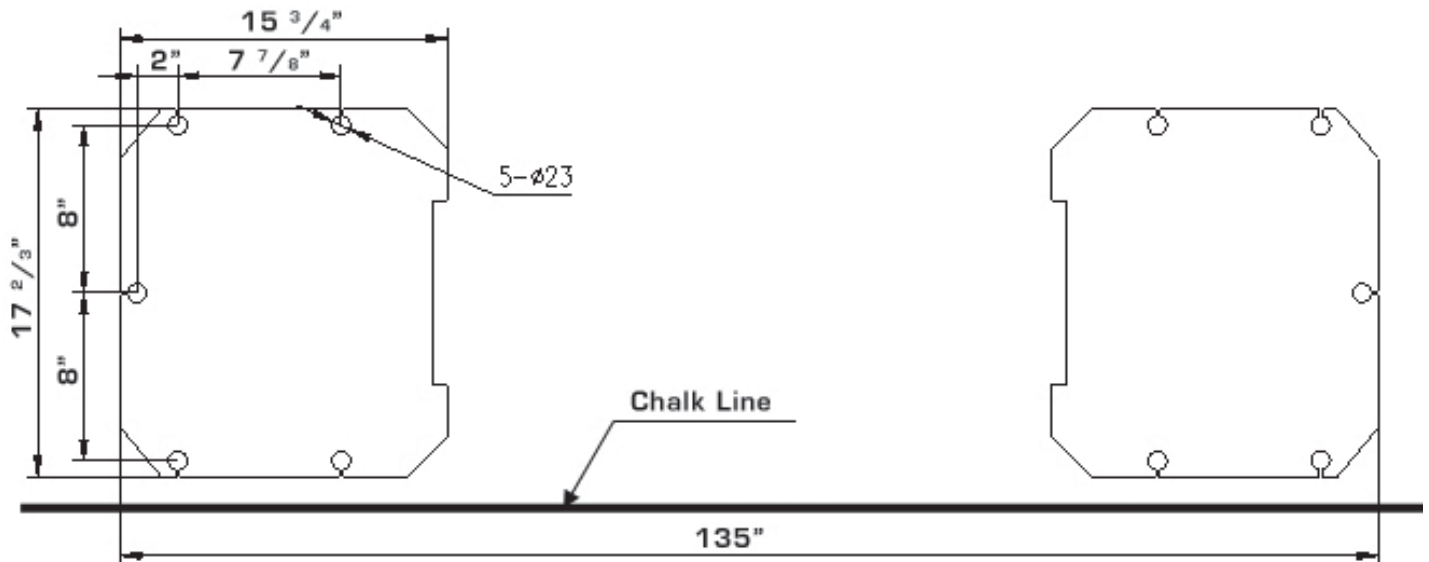


Fig. 5

## C. Check The Parts Before Assembly

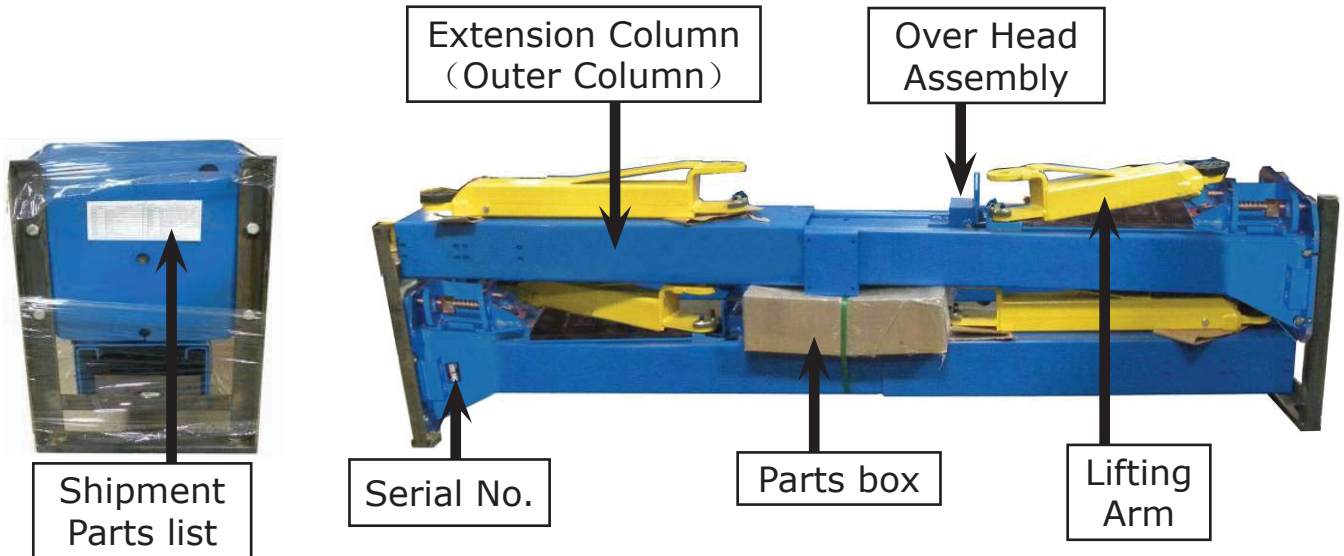
1. Packaged lift and hydraulic power unit



Fig. 6



2. Move aside the lift with fork lift or hoist, and open the outer packing carefully



**Fig. 7**

3. Loosen the screws on the upper package stand, take off the upper outer column, take out the parts in the inner column and remove the package stand

4. Move aside the parts and check the parts according to the shipment parts list

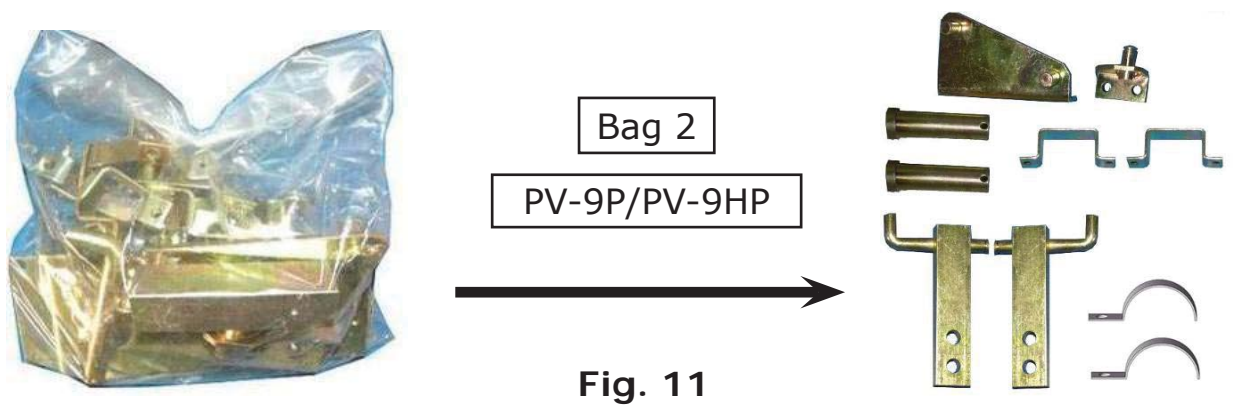
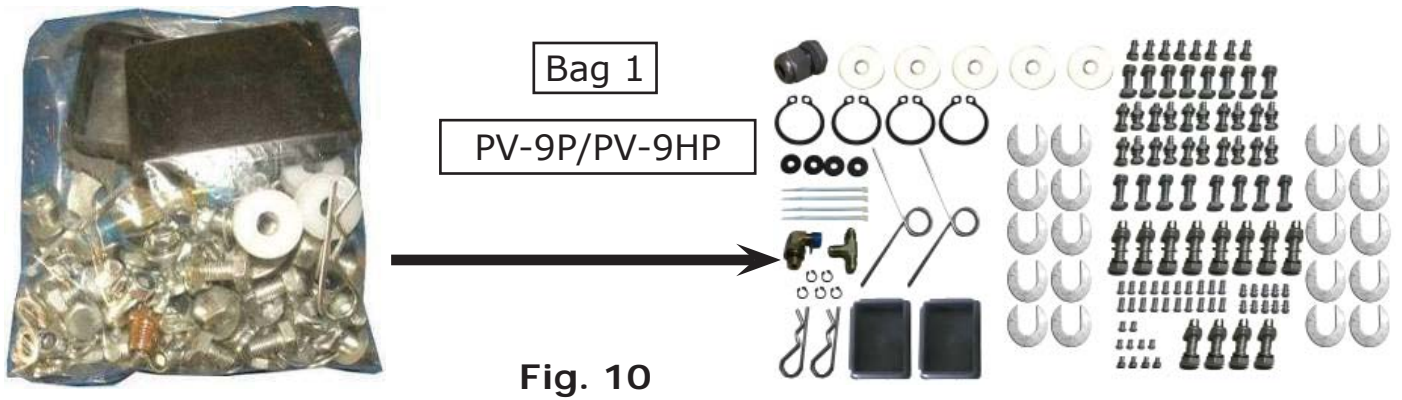


**Fig. 8 - Shipment list**

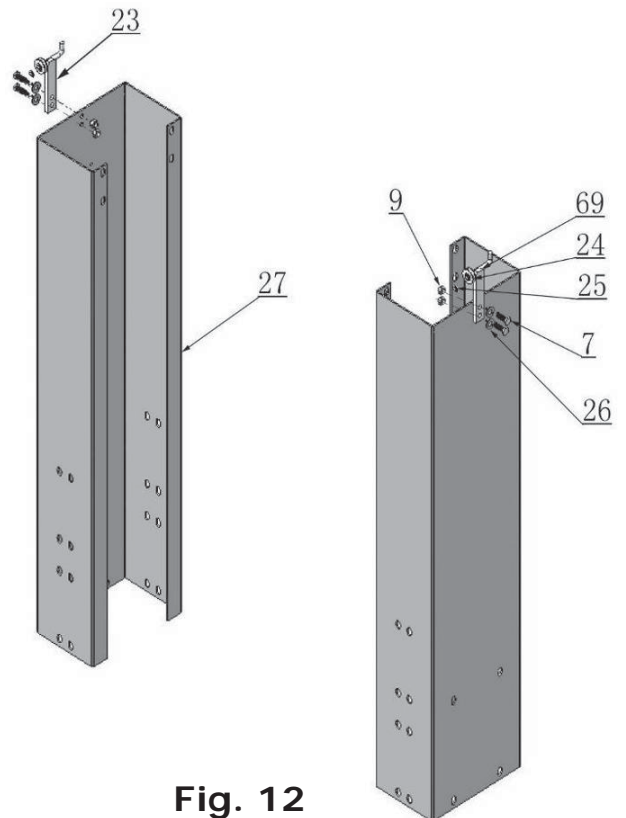


**Fig. 9 - Parts box list (93)**

5. Check the parts of the parts bag 1& 2 according to parts bag list



### D. Install The Hydraulic Hose And Lock Release Cable Brackets On The Extension Columns



## E. Position The Power Side Column

Lay down two columns on the installation site parallel. Position the power side column according to the actual installation site. Usually, it is suggested to install power side column on the front-right side from which vehicles are driven to the lift. This lift is designed with 2-Section columns. Adjust the height according to the ceiling height and connect the inner and outer columns.

1. When the ceiling height is less than (151 1/2") for PV-9PX, (175 5/8") for PV-9HPX, connect the outer columns with the upper holes.
2. When the ceiling height is over (151 1/2") for PV-9PX, (175 5/8") for PV-9HPX, connect the outer columns with the lower holes.

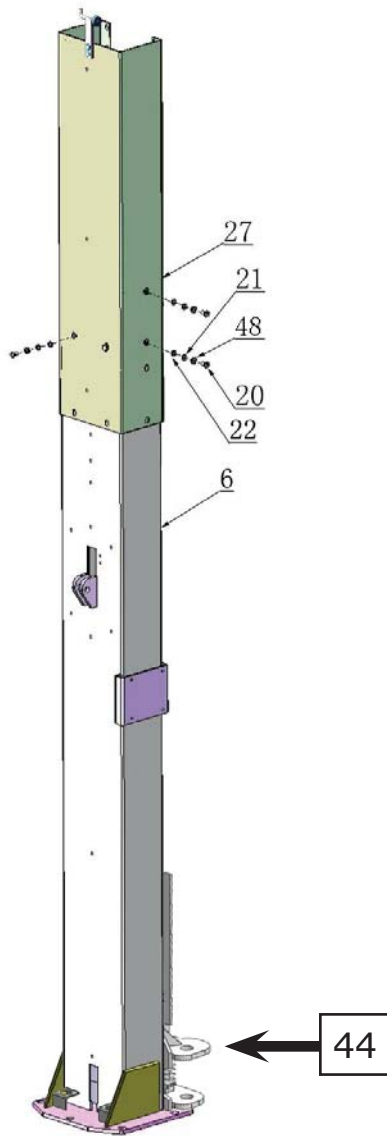


Fig. 13 - Low Setting

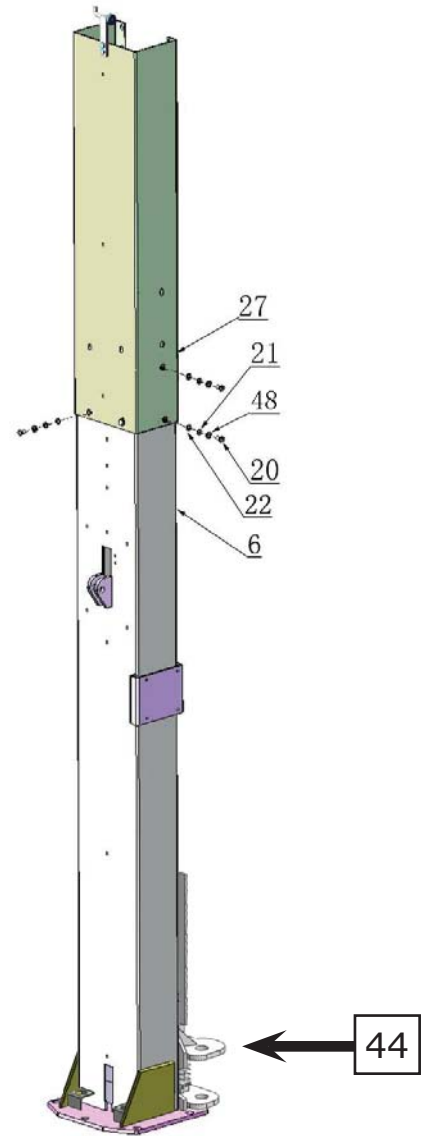
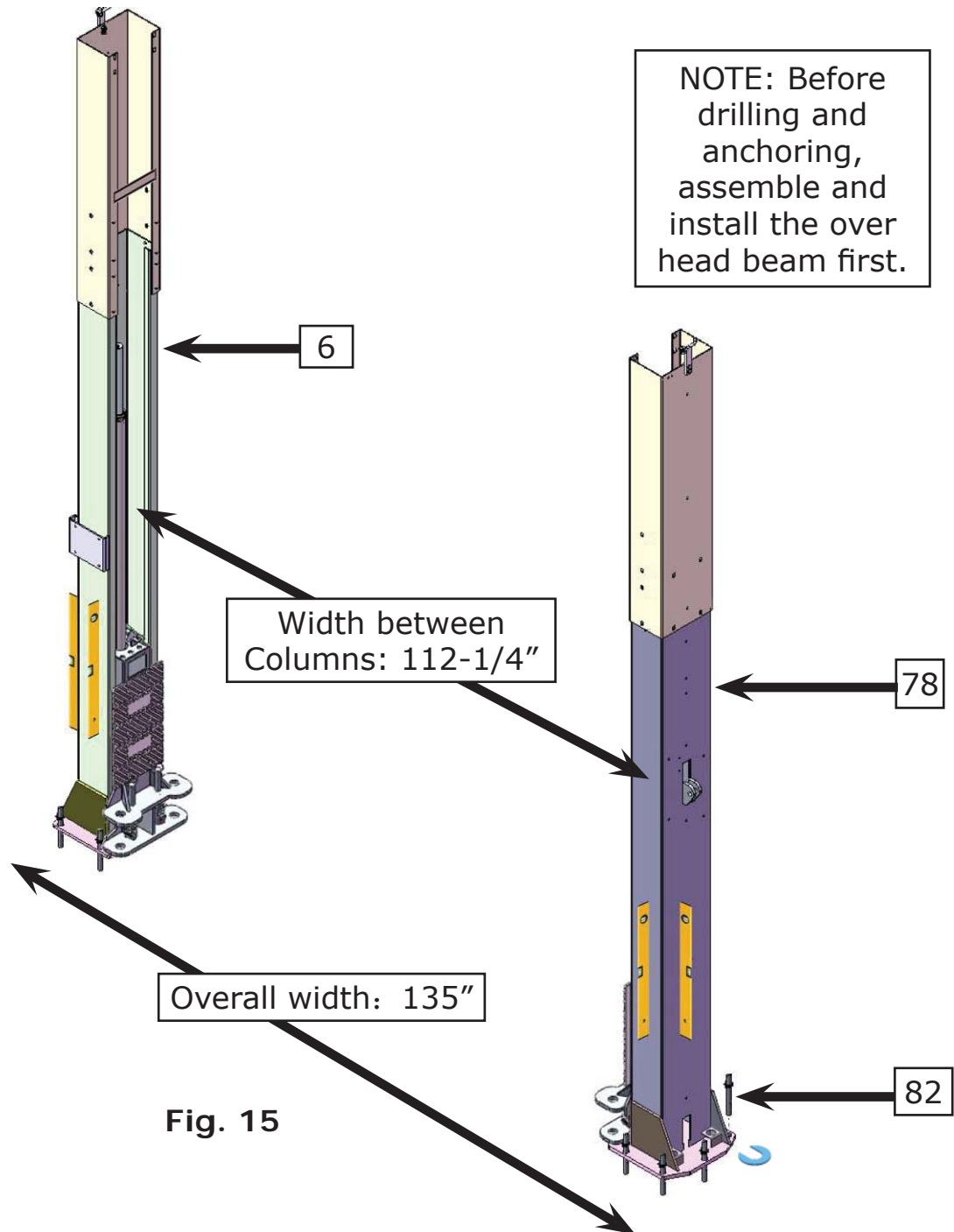


Fig. 14 - High Setting

## F. Position Columns / Level Columns

1. Position the columns on the installation layout on the base plate chalk line.



2. Check the columns plumb with a level bar, and adjust with the shims if the columns are not level.

## G. Install Overhead Top Beam / Drill Anchor Holes

1. Assemble the over head beam on the ground. With another person and two ladders, walk the overhead beam up and hang it in the hooks. Install hardware and tighten bolts.

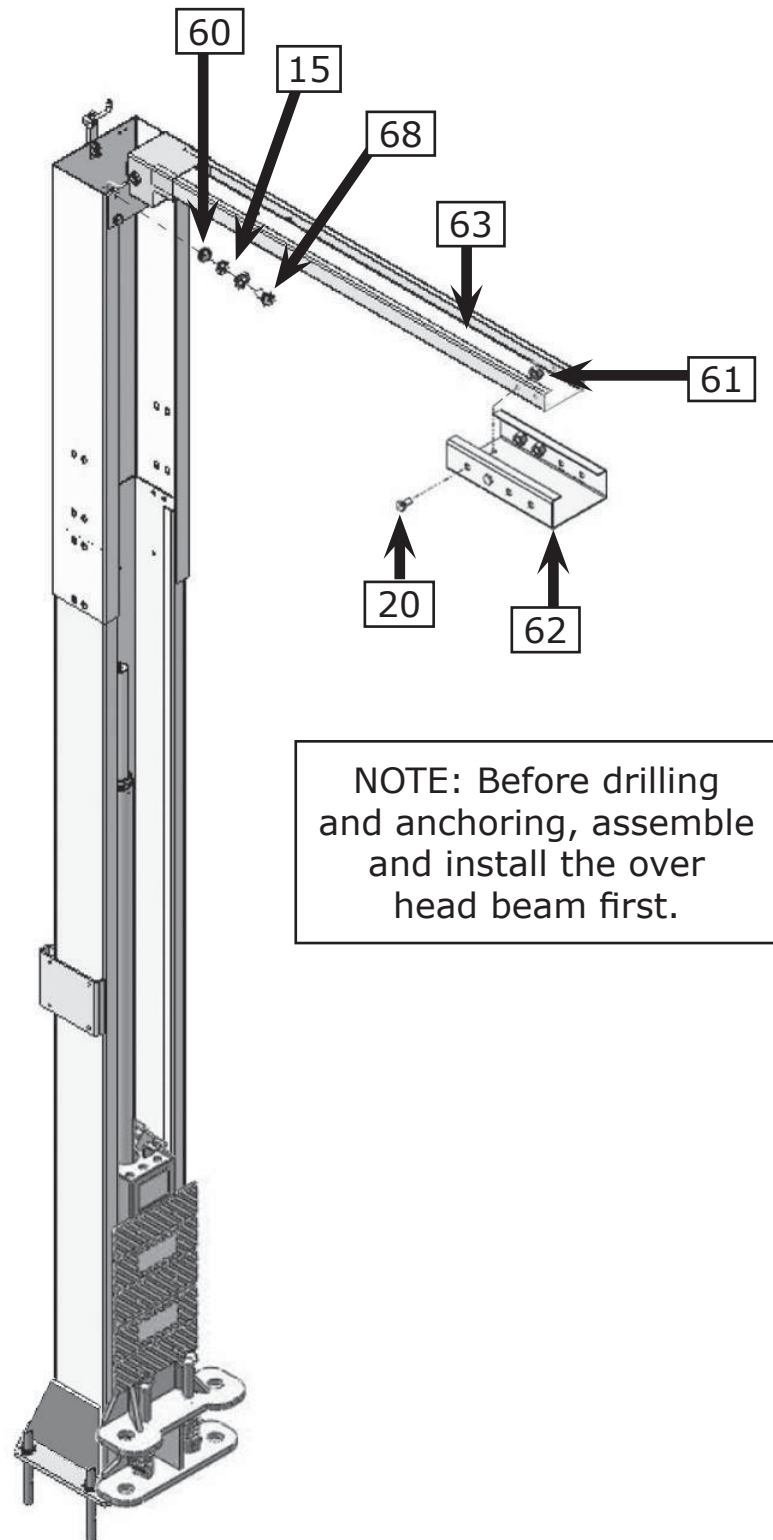
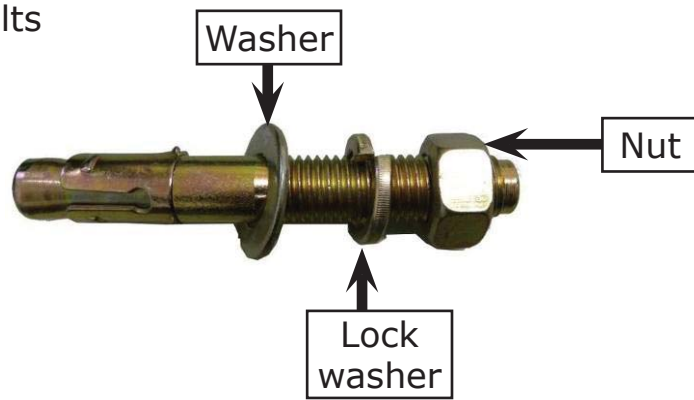
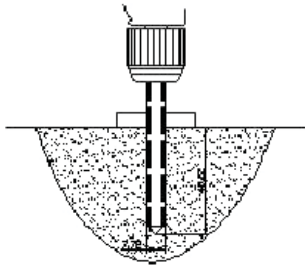


Fig. 16

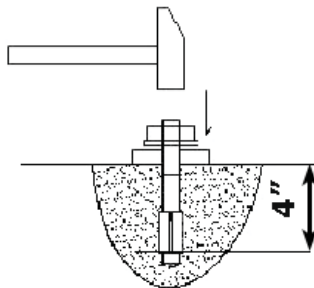
## 2. Prepare the Anchor Bolts



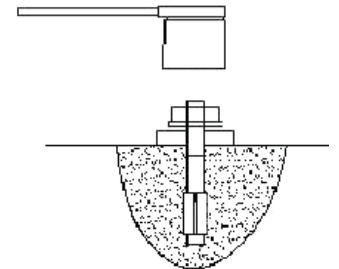
3. Use a rotary hammer drill, drill all the anchor holes and install the anchor bolts. Then tighten the anchor bolts. If the top of the anchor exceeds 2" above the floor grade, you **DO NOT** have enough embedment. Tighten the anchor bolts between 60 and 86 foot pounds.



**Drilling**



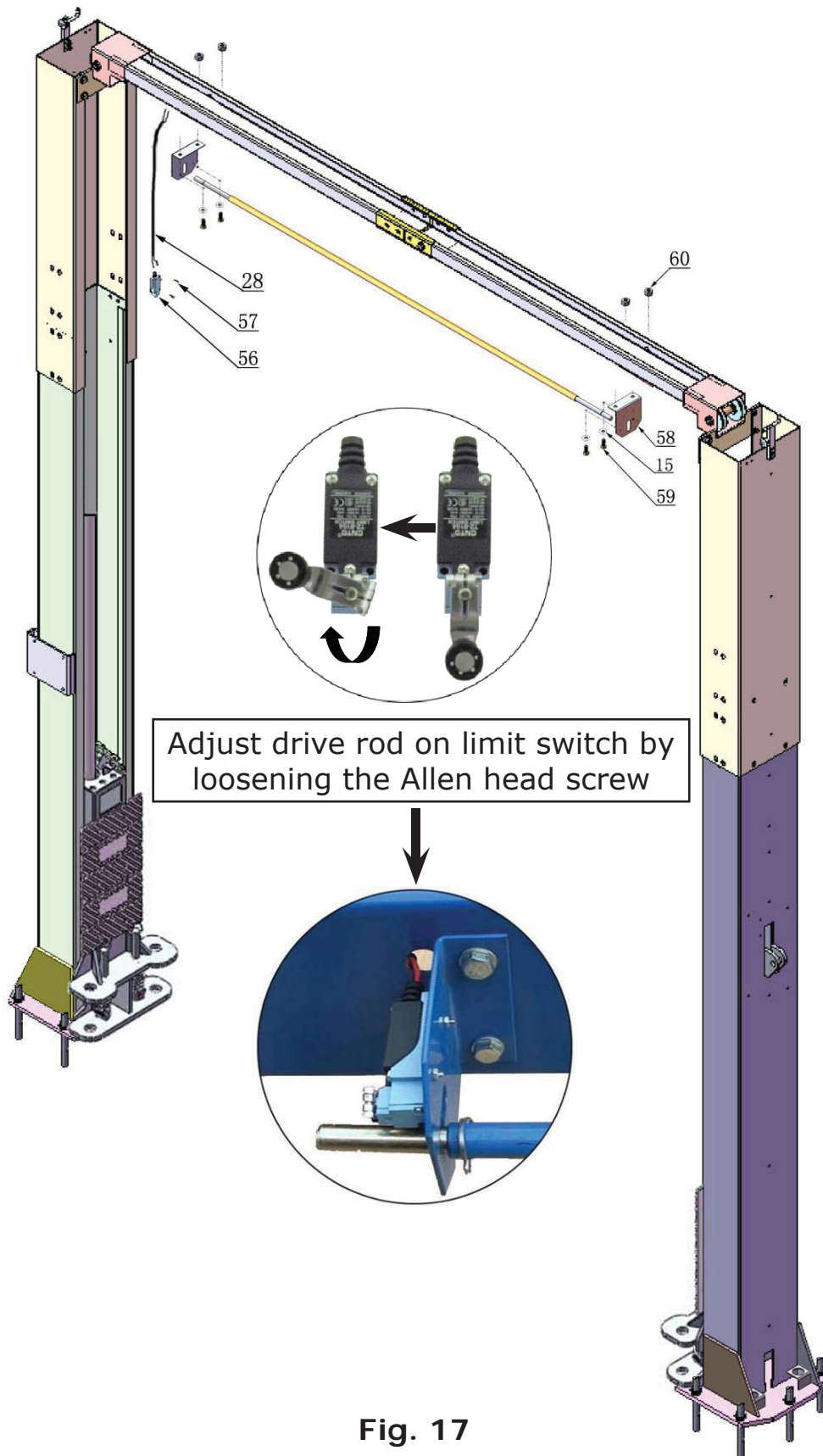
**Bolting**

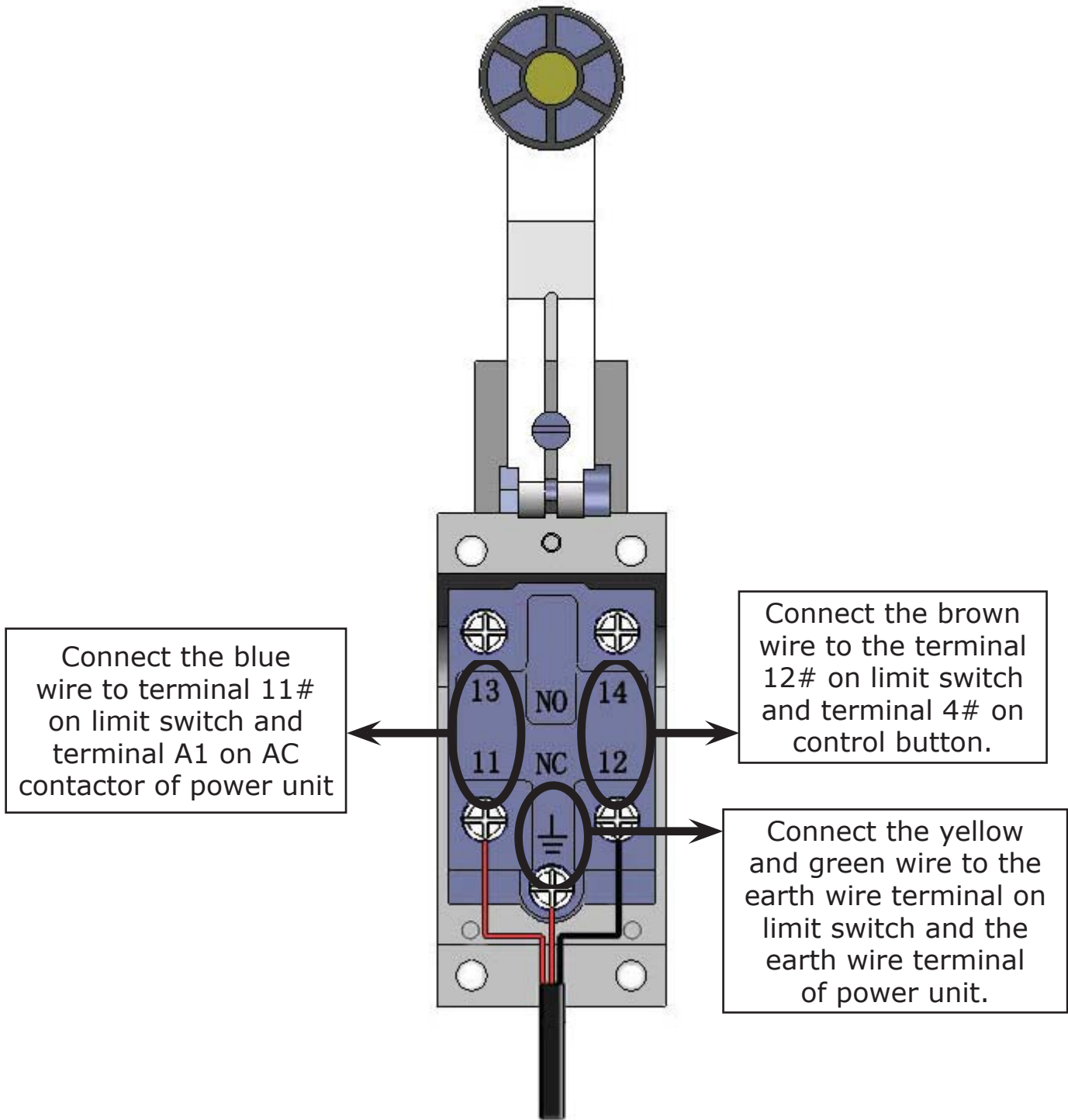


**Tighten**



## H. Installing The Limit Switch Control Bar And Limit Switch

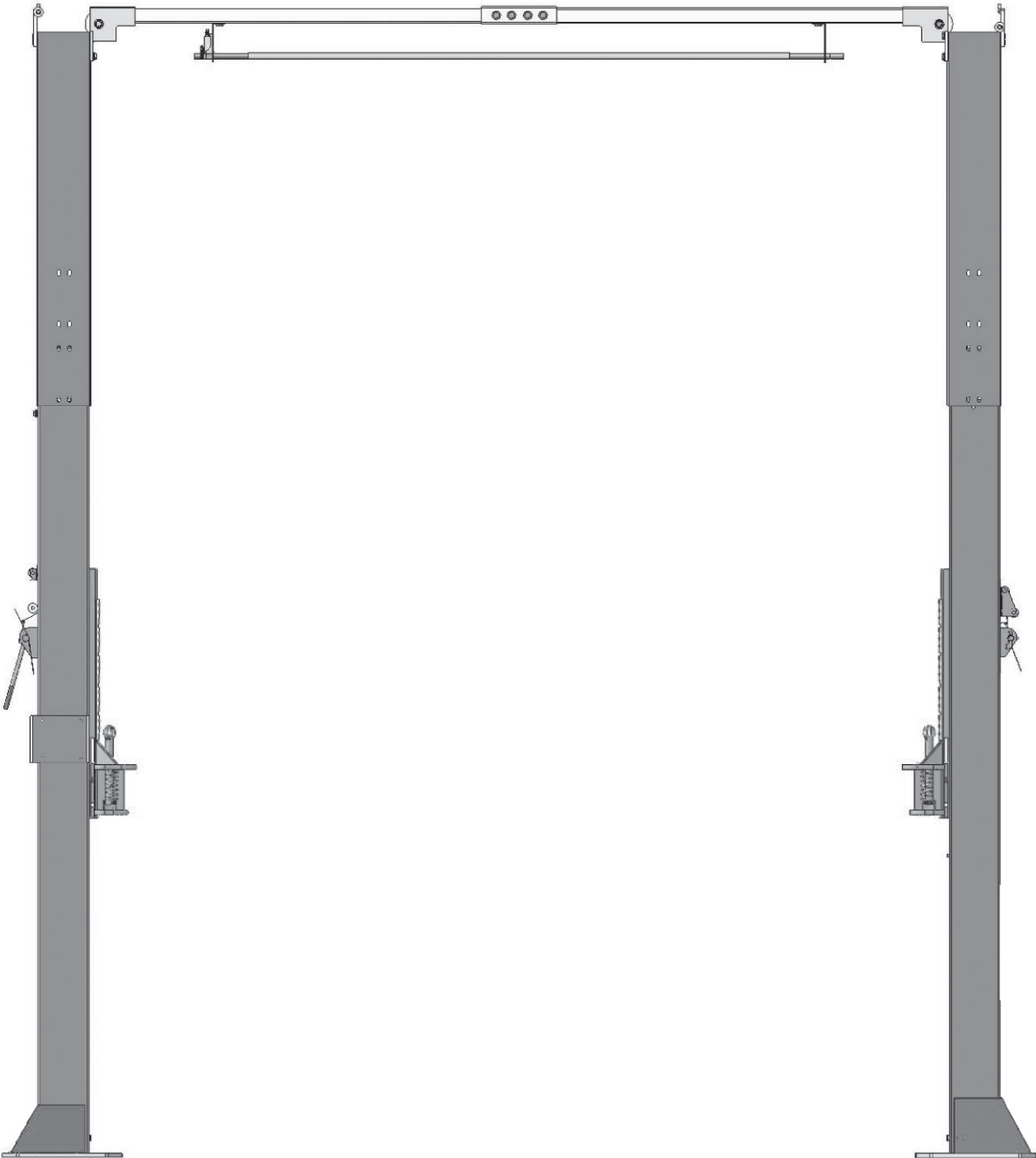








**J. Lift The Carriages Up About 3 Feet By Hand  
And Lock Them At The Same Level**



**Fig. 20**

# K. Install Cables

## 1. Low setting cable connection.

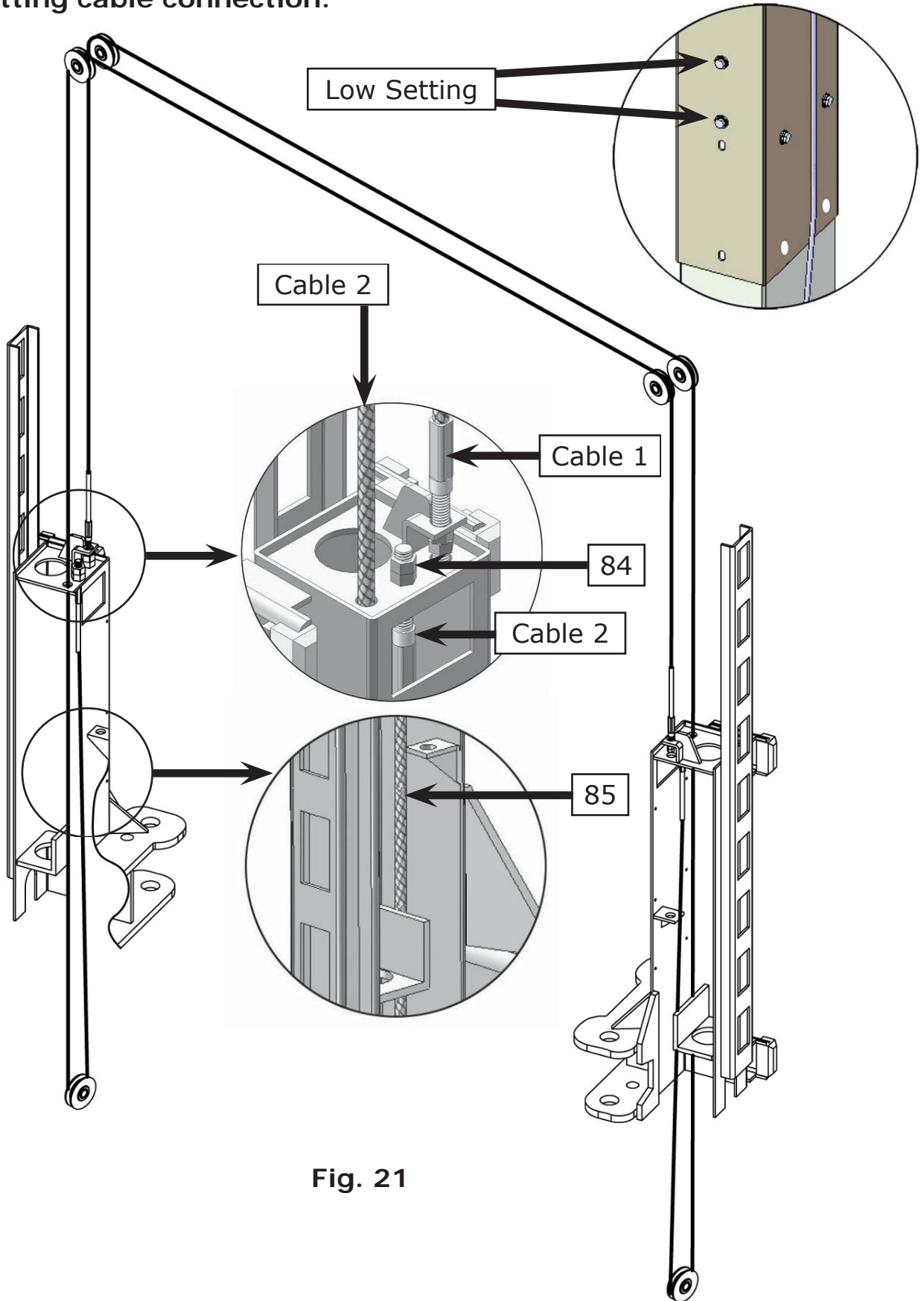
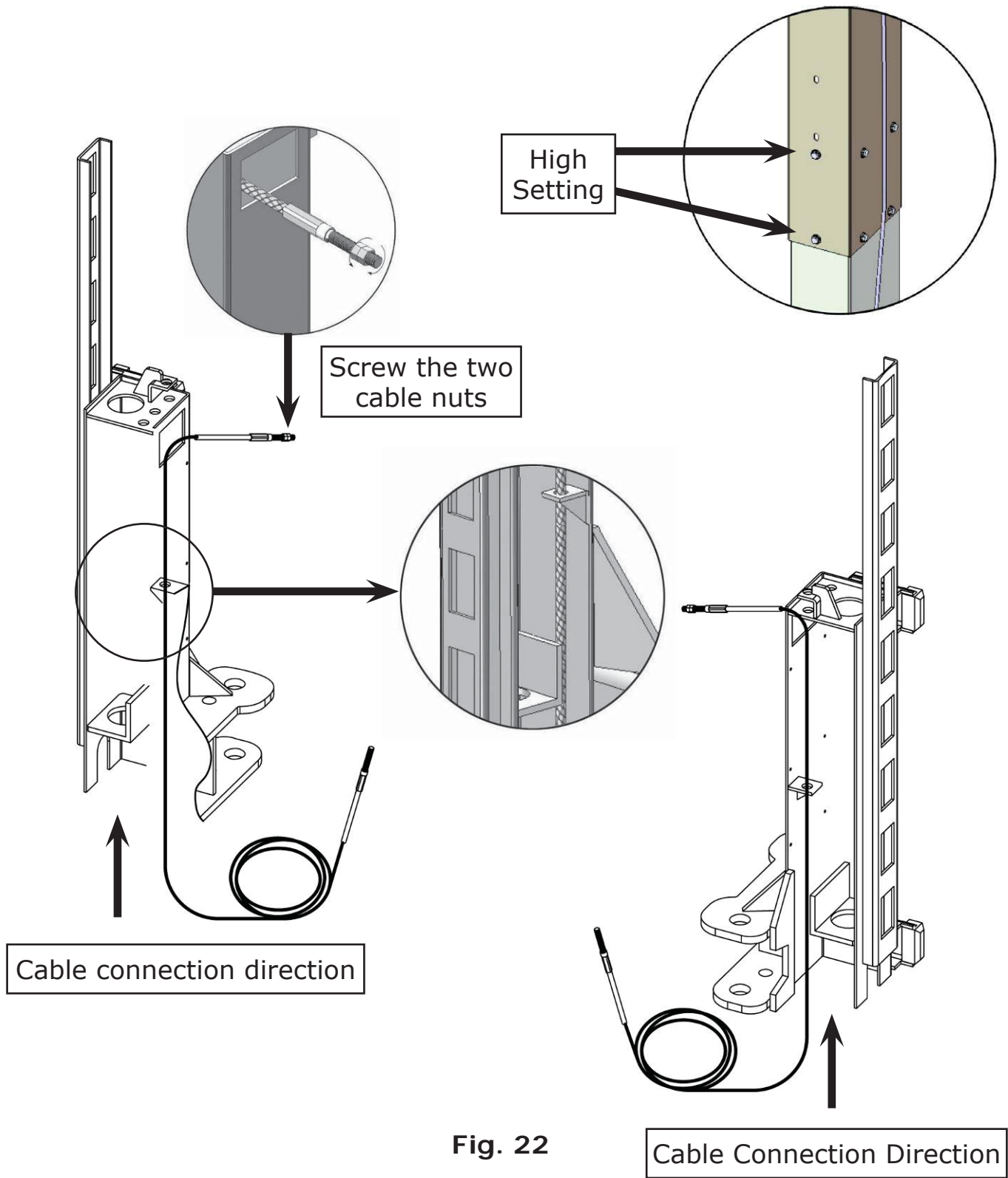


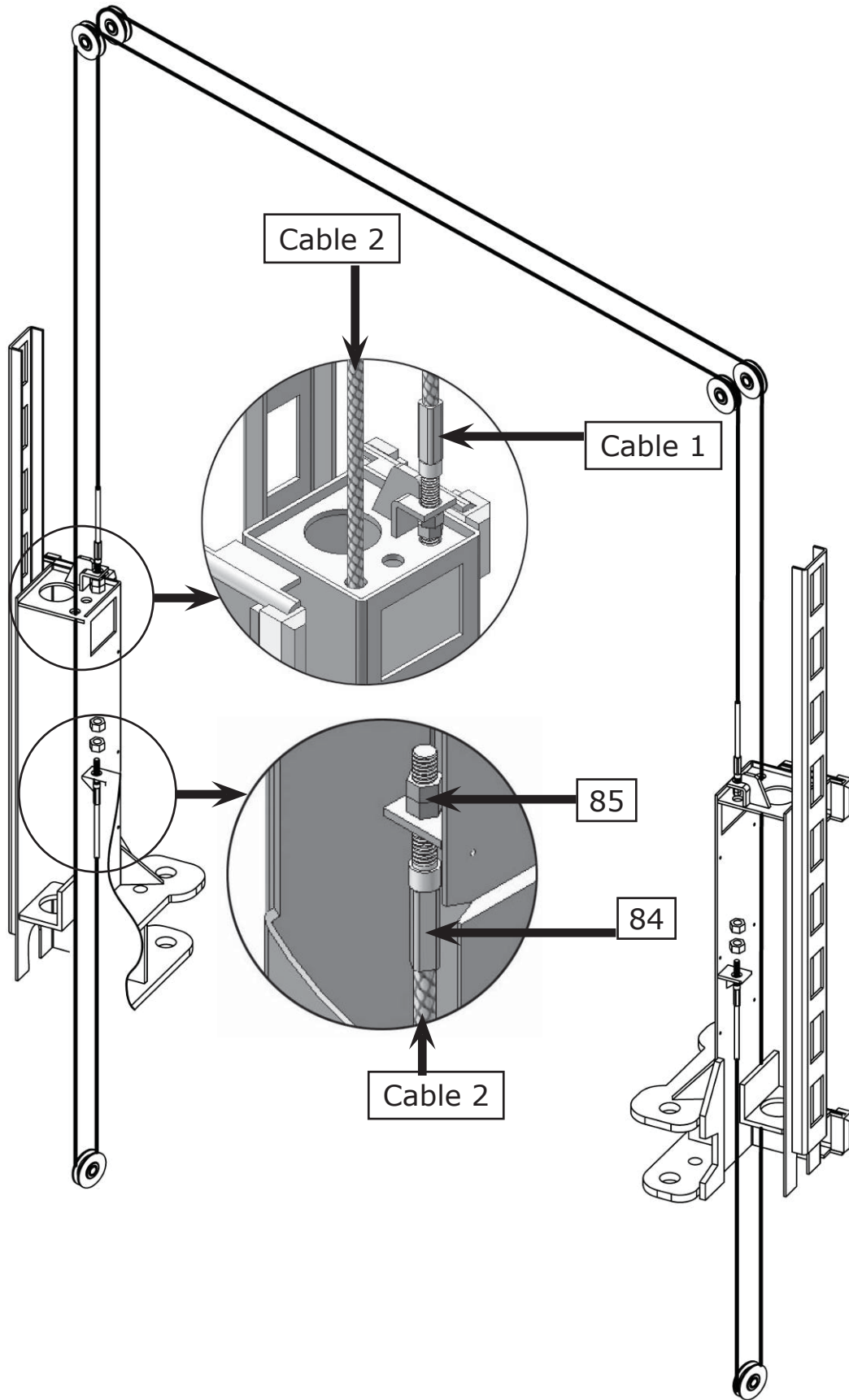
Fig. 21

## 2. High setting cable connection.

2.1. Cable passes through from the bottom of the carriages and is pulled out from the opening in the carriages. Install the two cable nuts.



## 2.2 Connecting cable for high setting.



**Fig. 23**

## L. Install Hydraulic Power Unit And Oil Hose Assembly

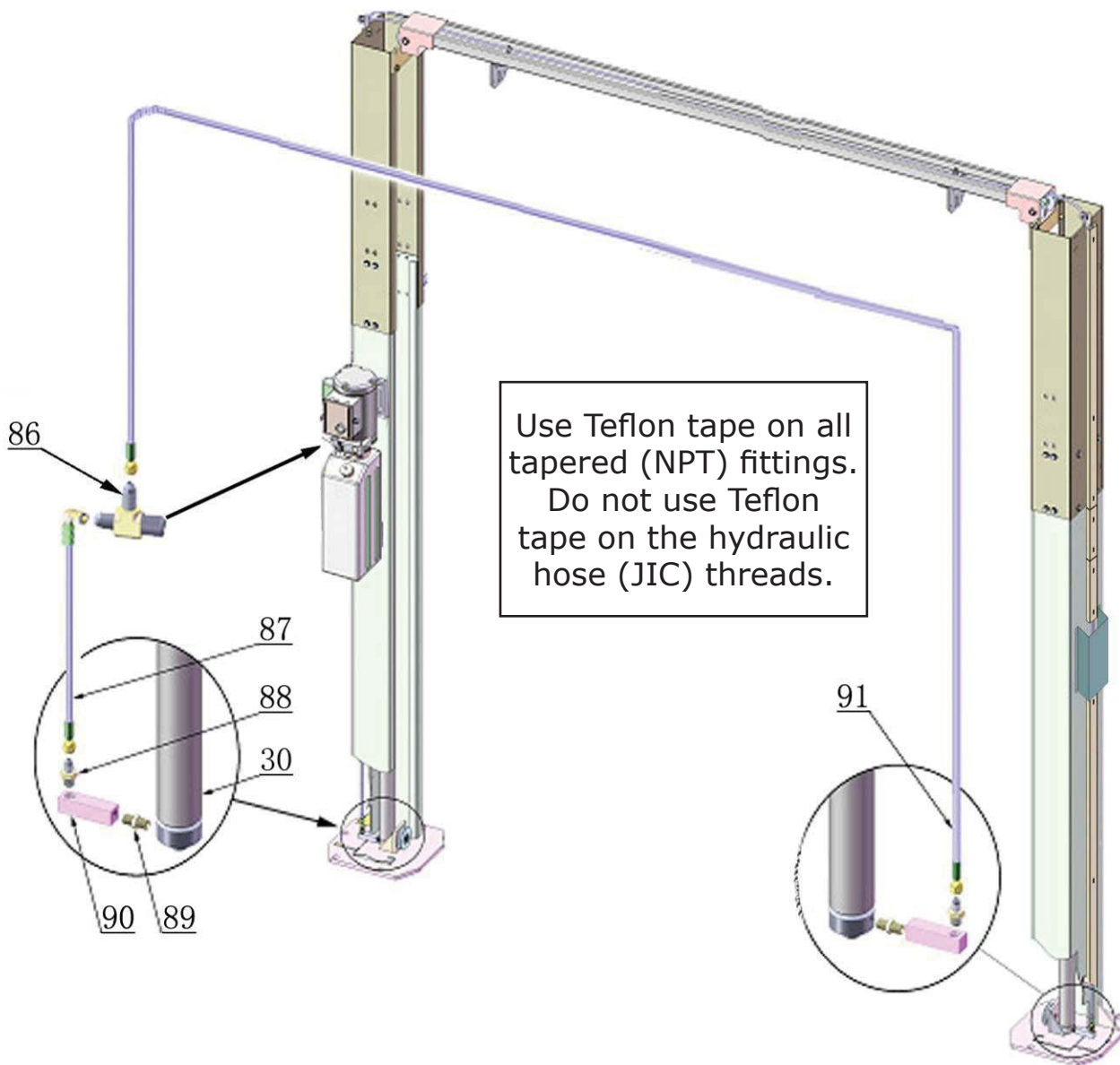


Fig. 24

Tighten all the hydraulic fittings, and fill the reservoir with approximately 3 gallons of hydraulic oil.

**Note: In consideration of Hydraulic Power Unit's durability and keeping the equipment running in good condition, please use Hydraulic Oil AW32.**

# M. Install Safety Cable

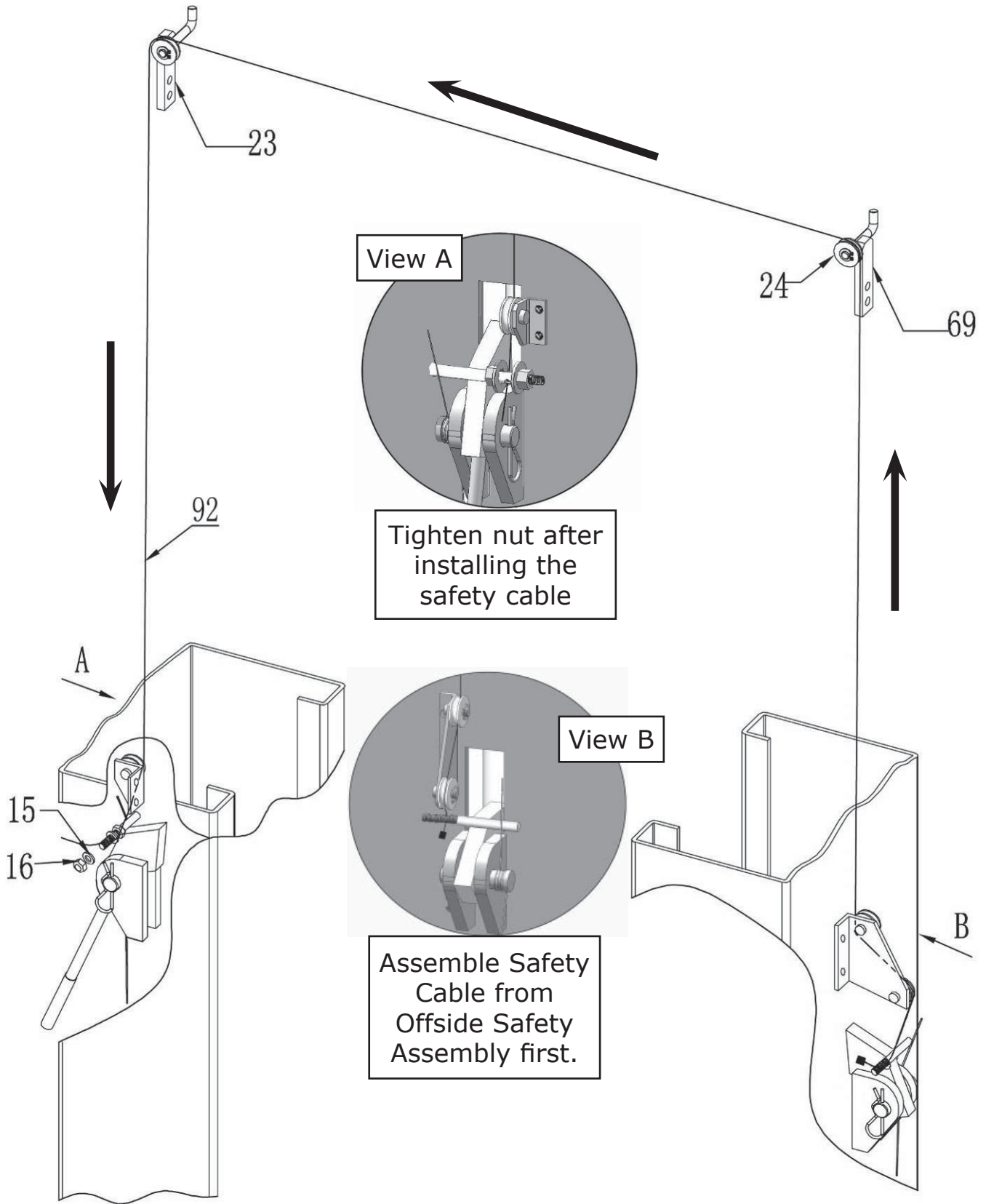


Fig. 25



## N. Oil Hose & Protective Covers

1. Install Oil Hose.

**Note:** Don't cross the oil hose and safety

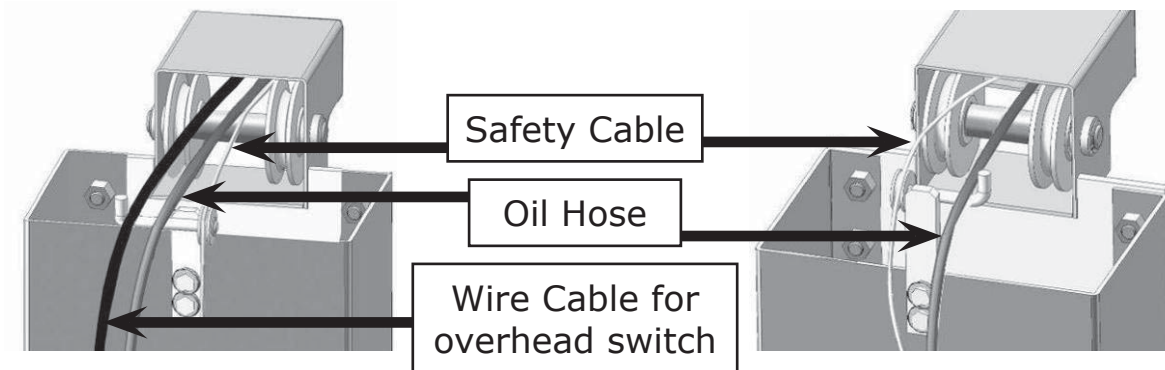
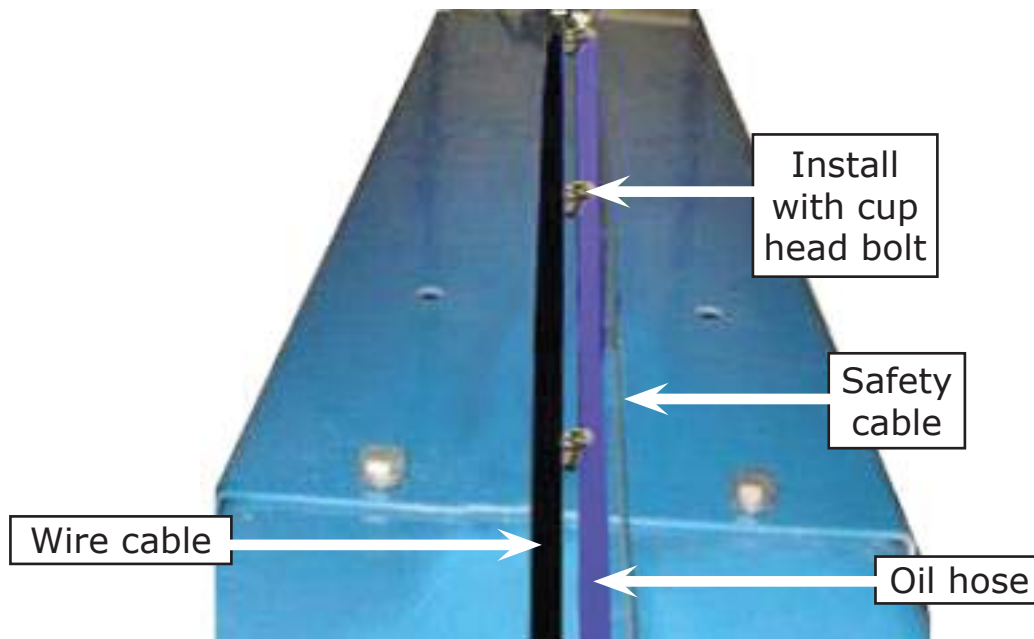


Fig. 26 - Power side Safety Device

Fig. 27 - Off side Safety Device

2. Install safety cable, oil hose and protective cover.

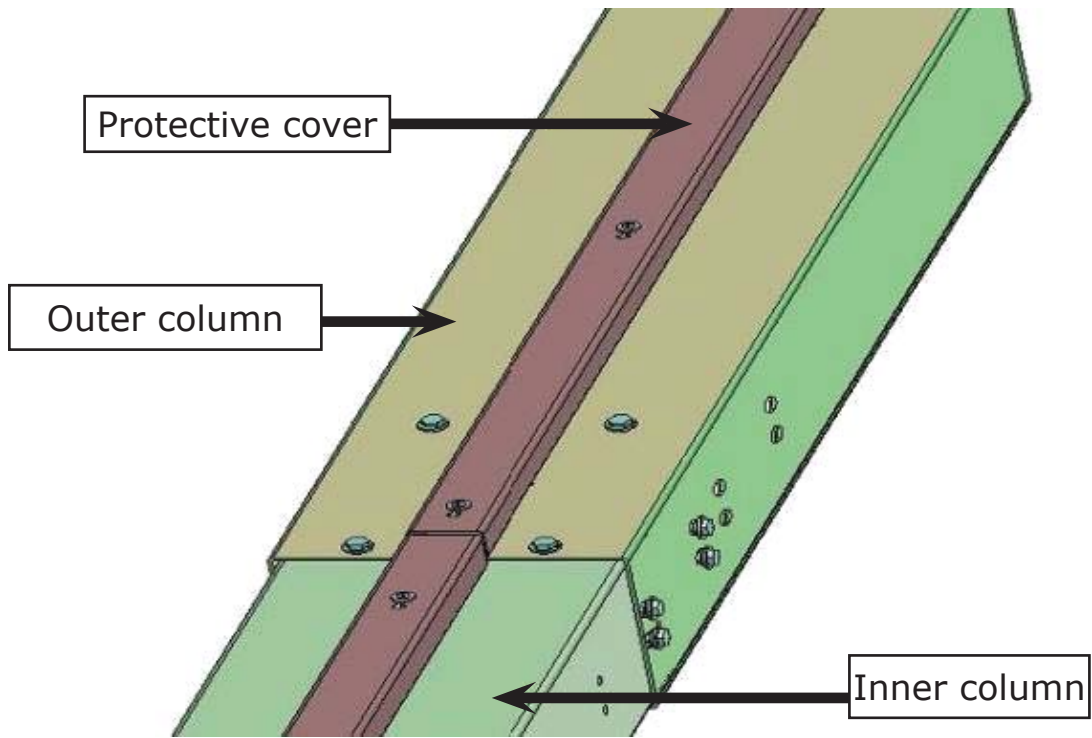
**Note:** Install the protective cover on the outer column with M6\*35 cup head bolt, Install the protective cover on the inner column with M6\*40 cup head bolt.



Before installing the wire protective cover

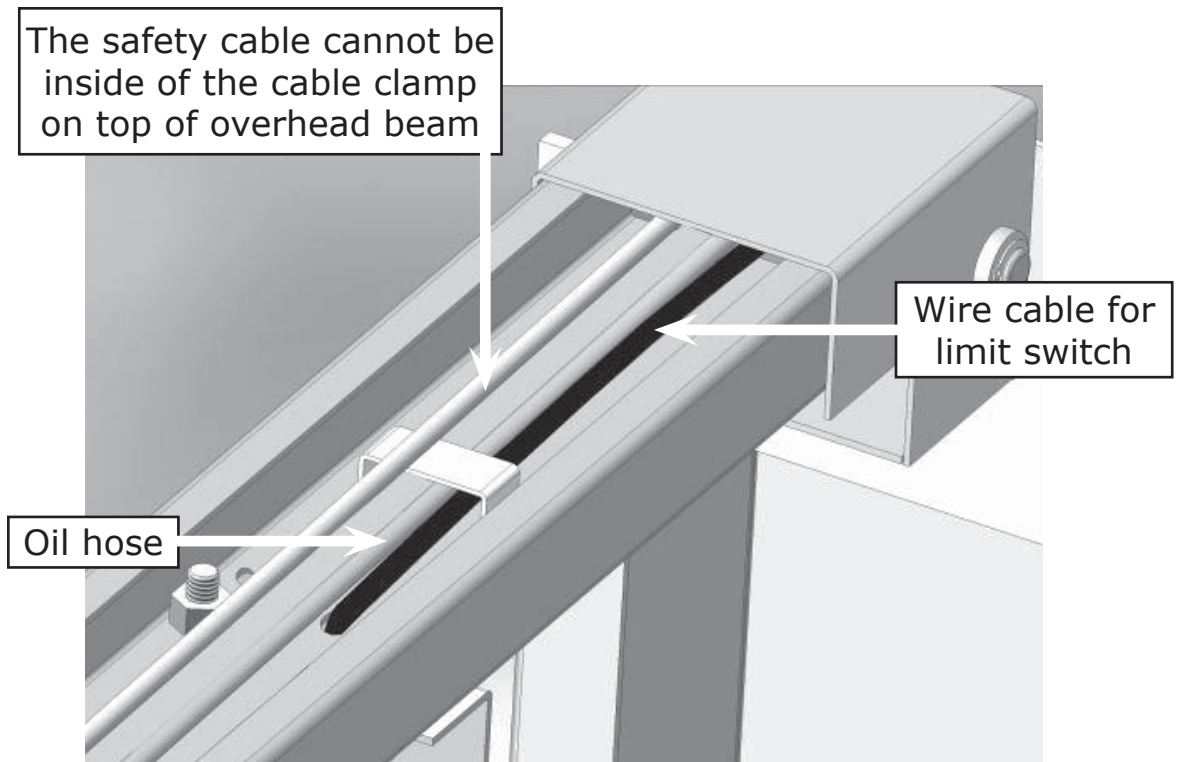
Fig. 28





After installing the wire protective cover

**Fig. 29**



**Fig. 30**

## O. Install Lifting Arms And Adjust The Arm Locks

1. Install the lifting arms (See Fig. 31).
2. Lower the carriages down to the lowest position. Use the 8mm Allen head wrench to loosen the Allen bolt (See Fig. 32).

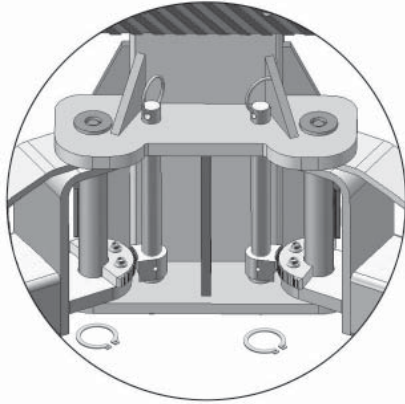


Fig. 31

Use the 8mm  
Allen Head  
Wrench to  
loosen the  
Socket Bolt

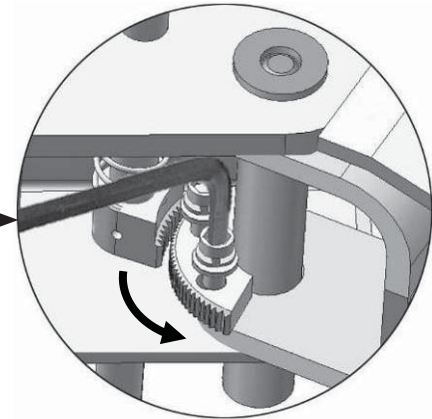


Fig. 32

3. Adjust the arm lock as direction of arrow (See Fig. 33)
4. Adjust moon gear and arm lock so they mesh well. Then tighten the Allen bolts of arm lock (See Fig. 34).

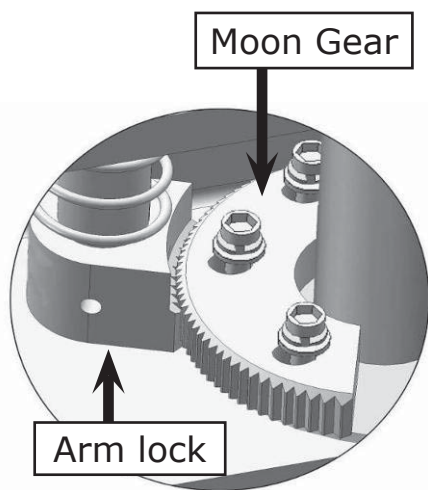


Fig. 33

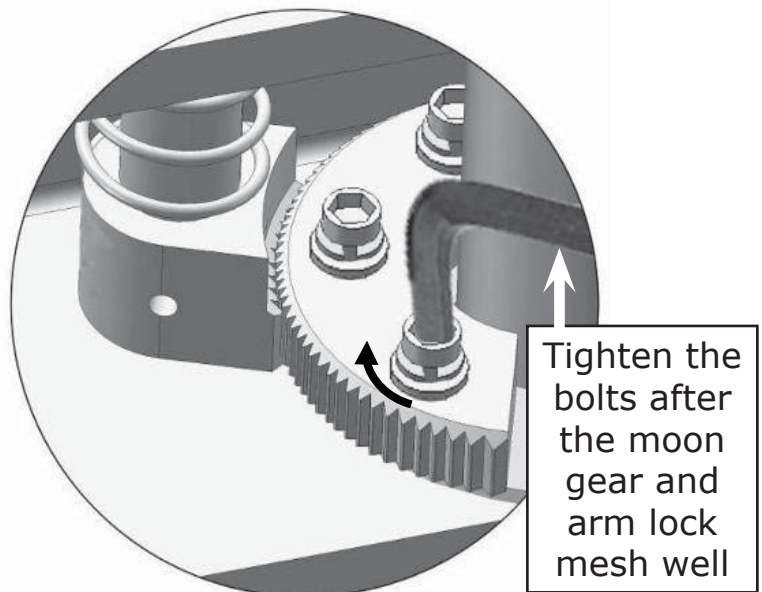


Fig. 34

## **P. Install Electrical System**

Connect the power source according to the data plate on the Power Unit.

**Remove the short “Pig Tail” wire connected to the AC contactor terminals. This wire was used to test the motor after production.**

### **ATLAS Single phase motor**

**Please Note: This motor is powered by Alternating Current and the terminals on the AC contactor are not wire color specific. There are no positive or negative terminals.**

# TMC-18 Contactor (220V Single Phase 60Hz 3HP)

1. Motor goes to **T2** (Black ) and **T3**(White)

2. Power goes to **L2** (Black) and **L3** (White)

3. Operating Switch (OS) **Terminal 3** goes to **L3** (with the power connection)

4. Operating Switch (OS) **Terminal 4** goes to Relay Terminal (RT) **A2**

5. Relay Terminal (RT) **A1** goes to **L2**(Jumper wire)

**\*Installing Safety Interrupt Switch**

6. Remove Wire From Operating Switch (OS) **Terminal 4** to Relay Terminal (RT) **A2**

7. One wire of Safety Interrupt Switch (SS1) to Operating Switch (OS) **Terminal 4**

8. One wire of Safety Interrupt Switch (**SS2**) to Relay Terminal (RT) **A2**

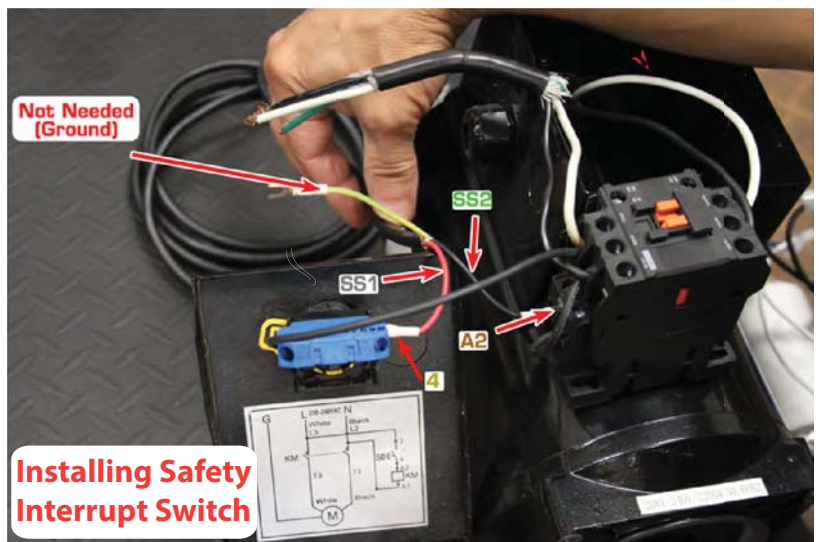
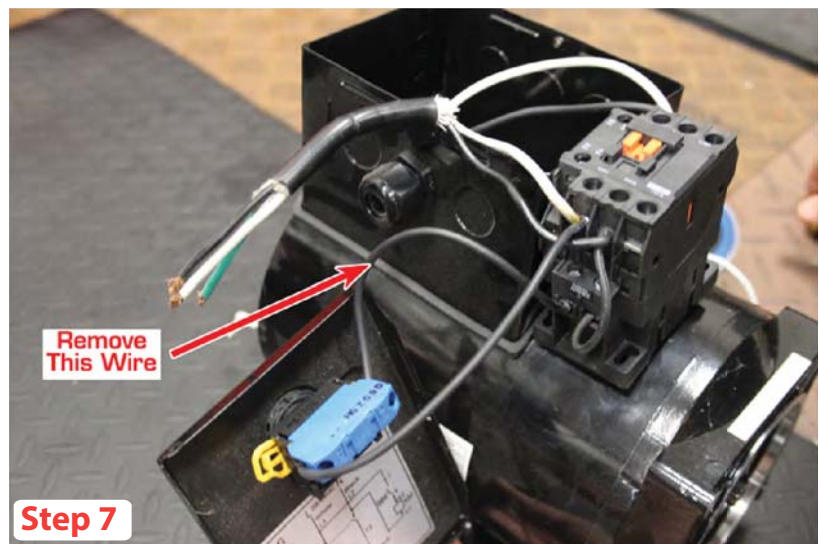
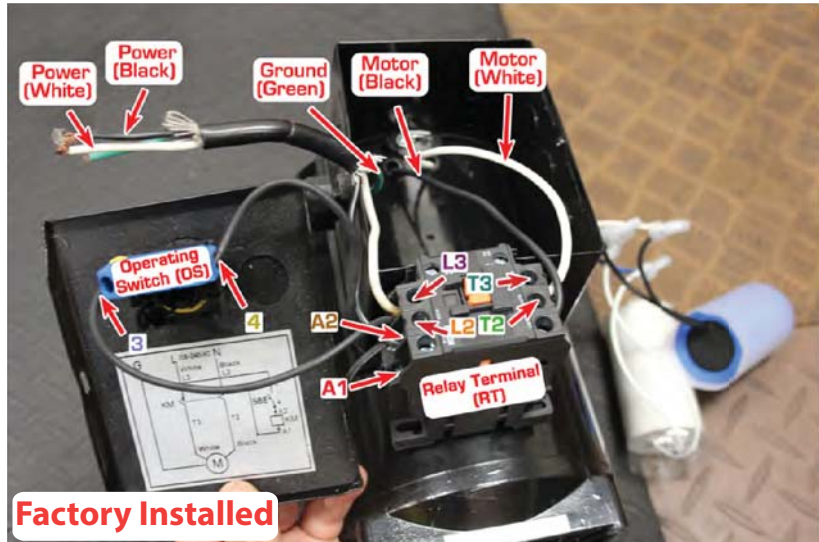


Fig. 35



# Exploded View

## Model PV-9PX & PV-9HPX

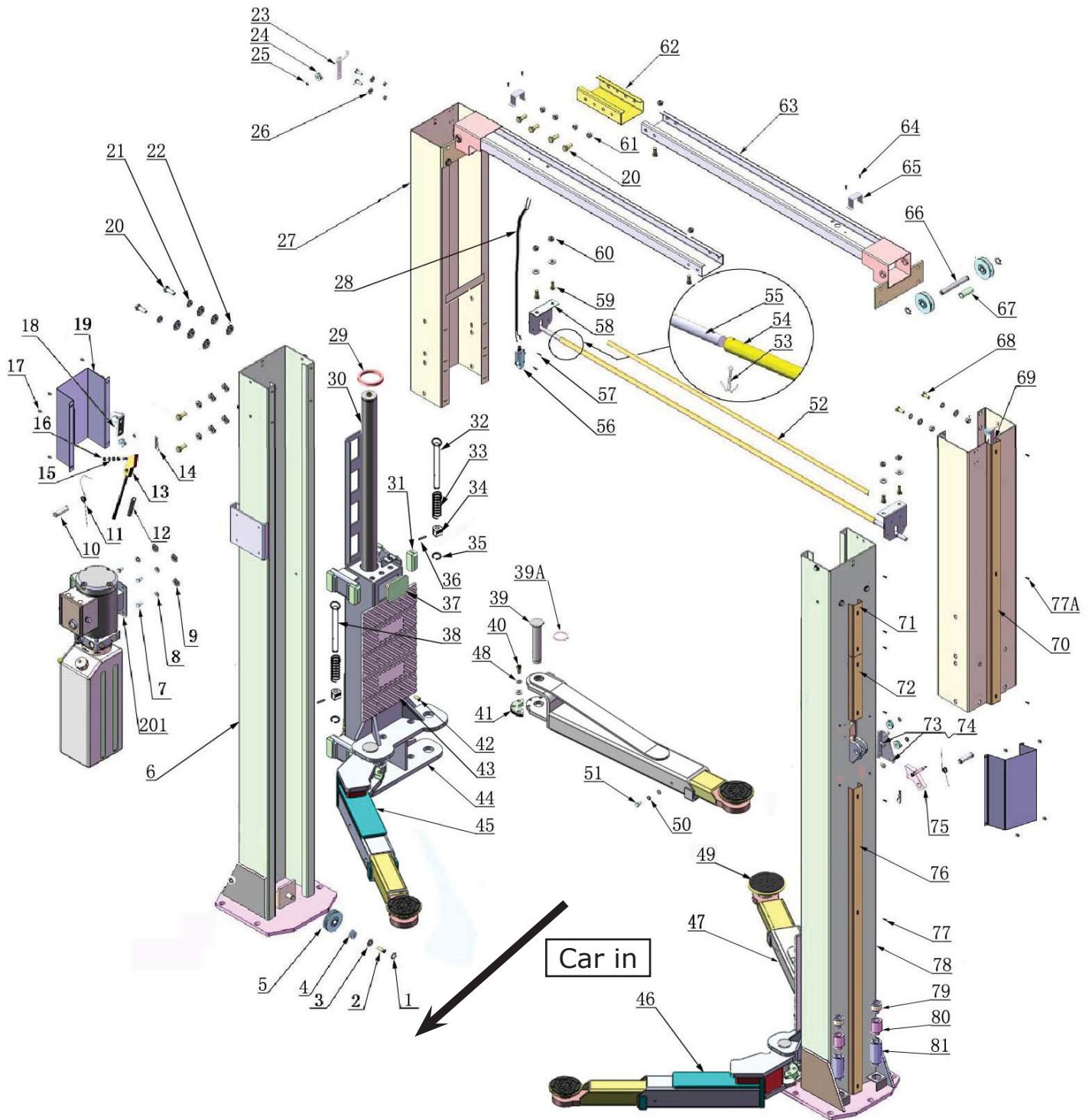


Fig. 36

# Cylinders

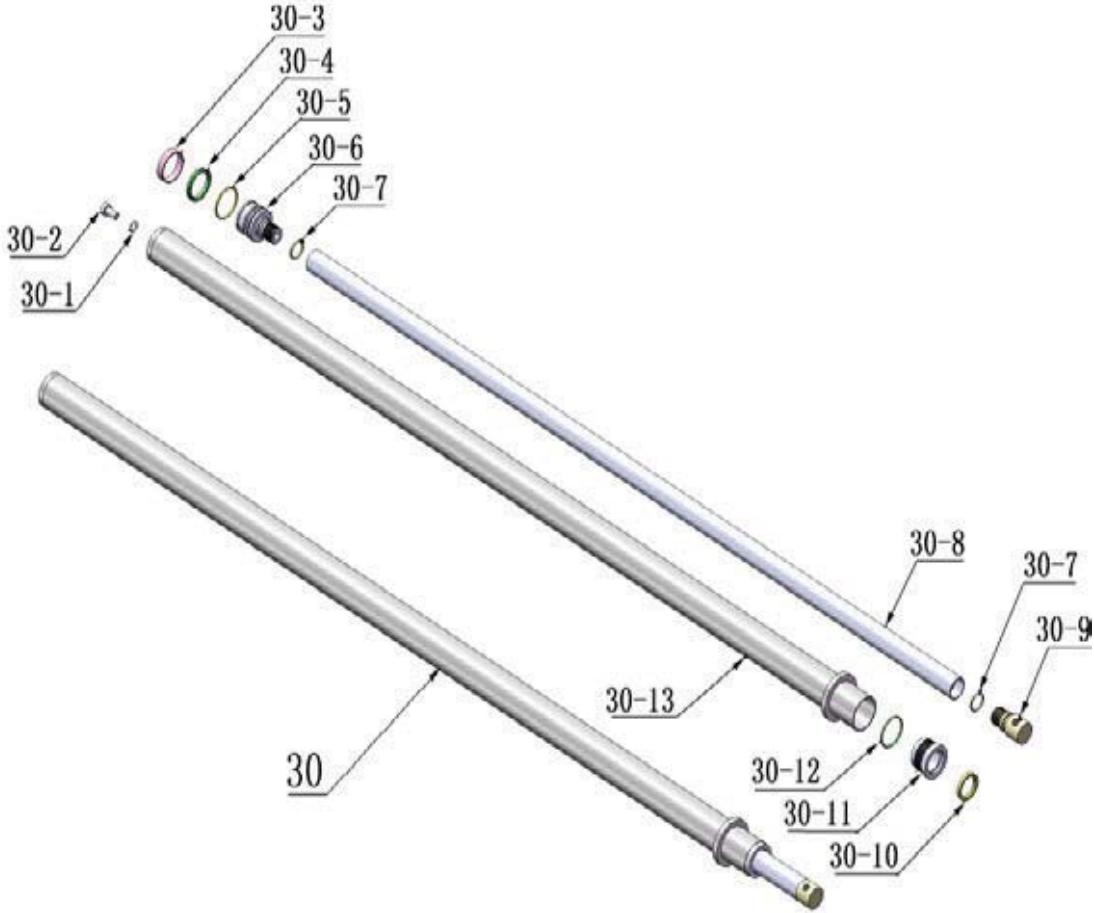


Fig. 37

# Atlas Manual Power Unit

220V/60HZ/1 phase

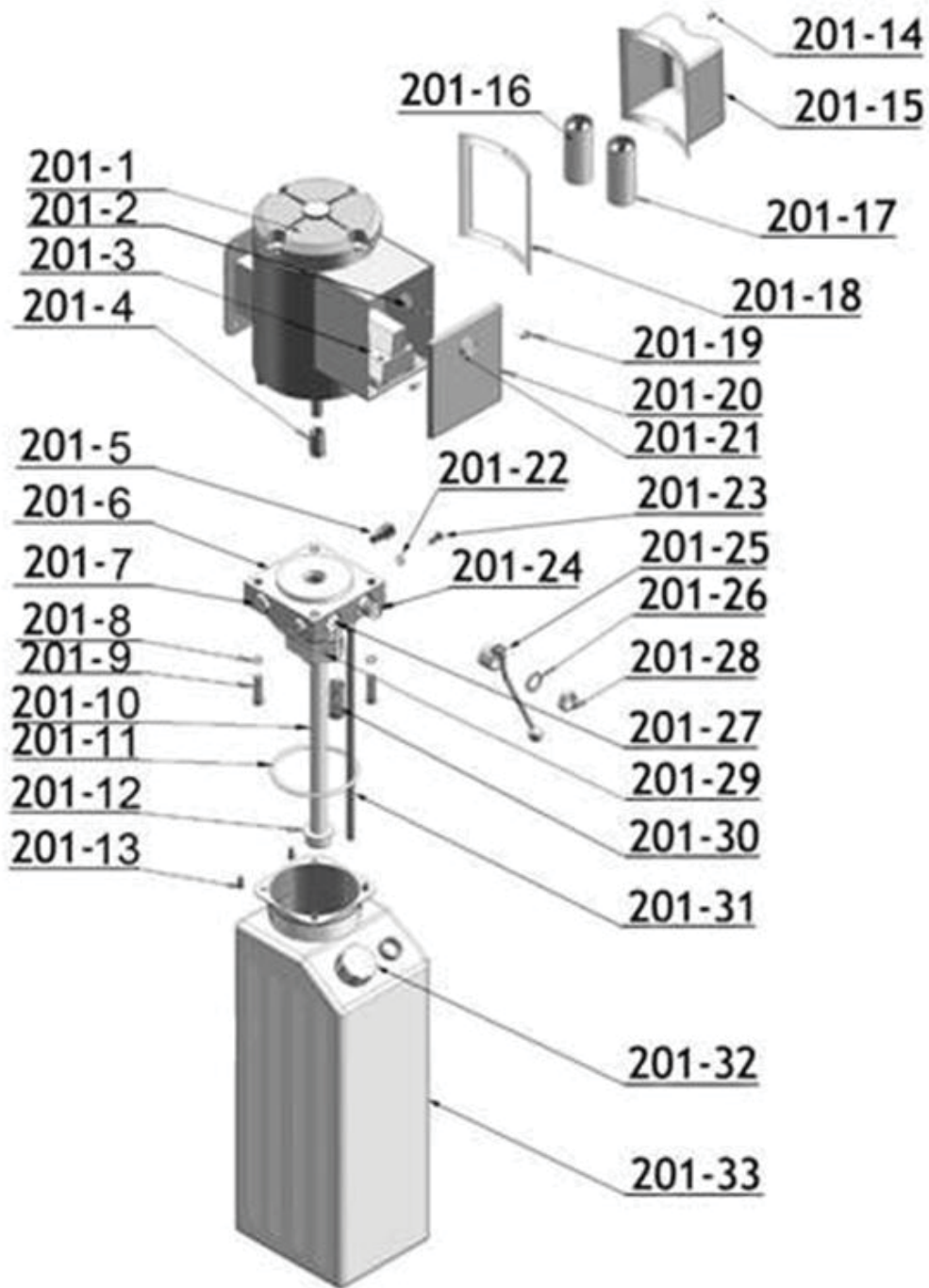
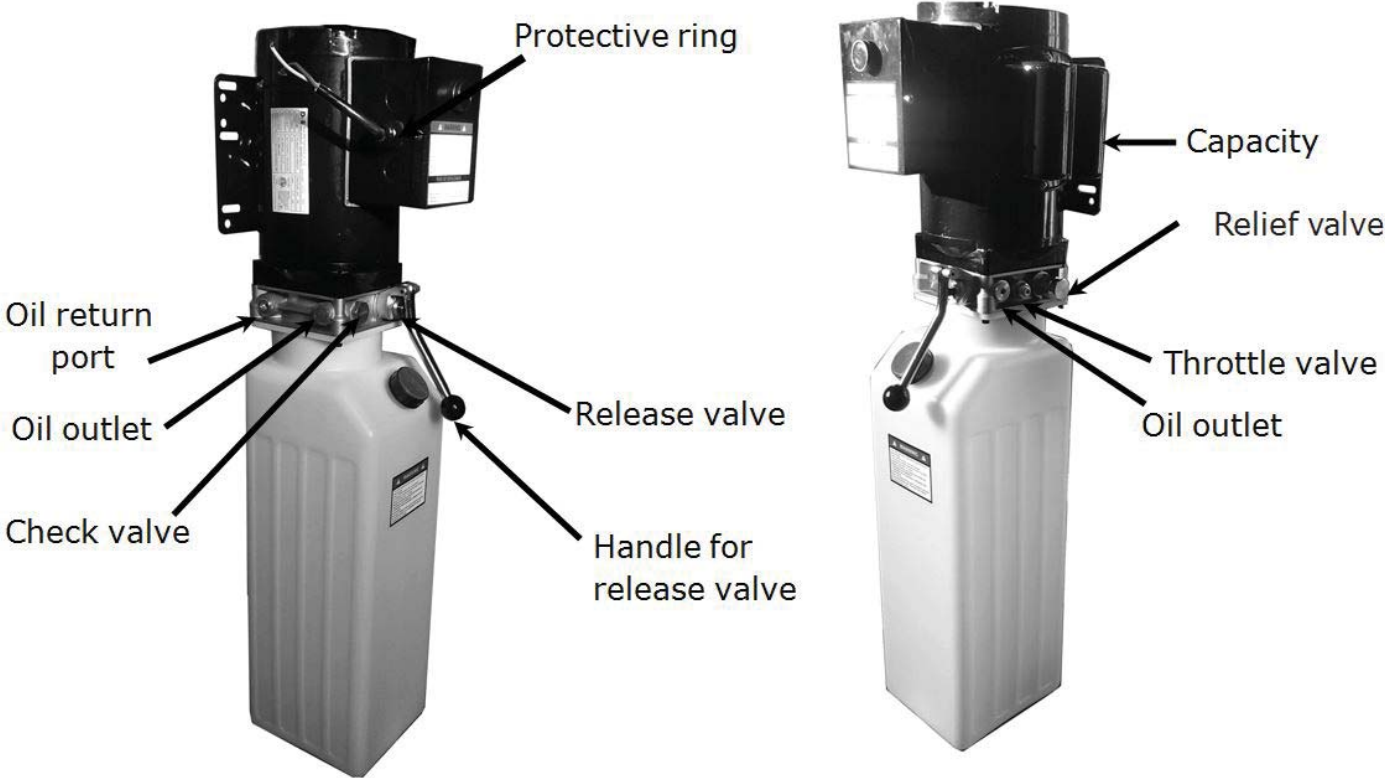


Fig. 38

**ATLAS manual power unit, 220V/60HZ, Single phase**



**Fig. 39**



# Test Run

---

## 1. Adjust the equalizing cables

Use wrench to hold the cable fitting, meanwhile use a ratchet to tighten the cable nut. Make sure the cables have the same tension so the two carriages lift at the same time. Replace the covers on the carriages.

**If the carriages do not lift at the same time, tighten the cable nut on the lower of the two carriages.**

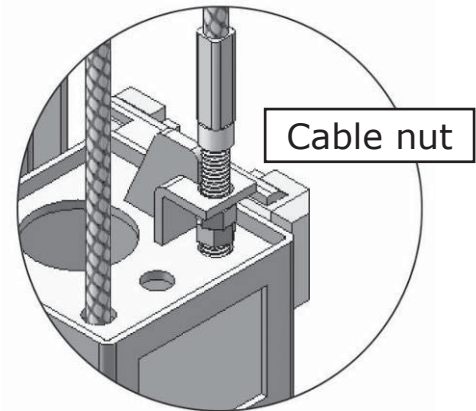


Fig. 40

## 2. Adjust Safety Cable

Lift the carriages and lock at the same height, pull the safety cable and then release a little, and then tighten the cable nuts. Make sure the safety locks click at the same time.

## 3. Bleeding air

This hydraulic system is designed to bleed air by loosening the bleeding screw. Lift the carriages to about 12 inches and loosen the bleeding plug. Lower the lift until fluid comes out. Tighten the screws after bleeding.

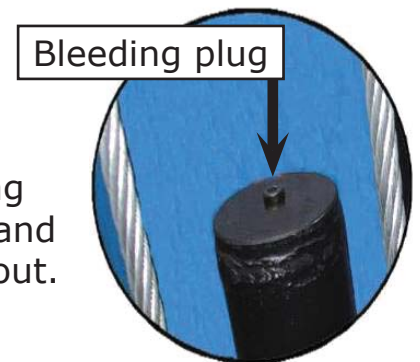
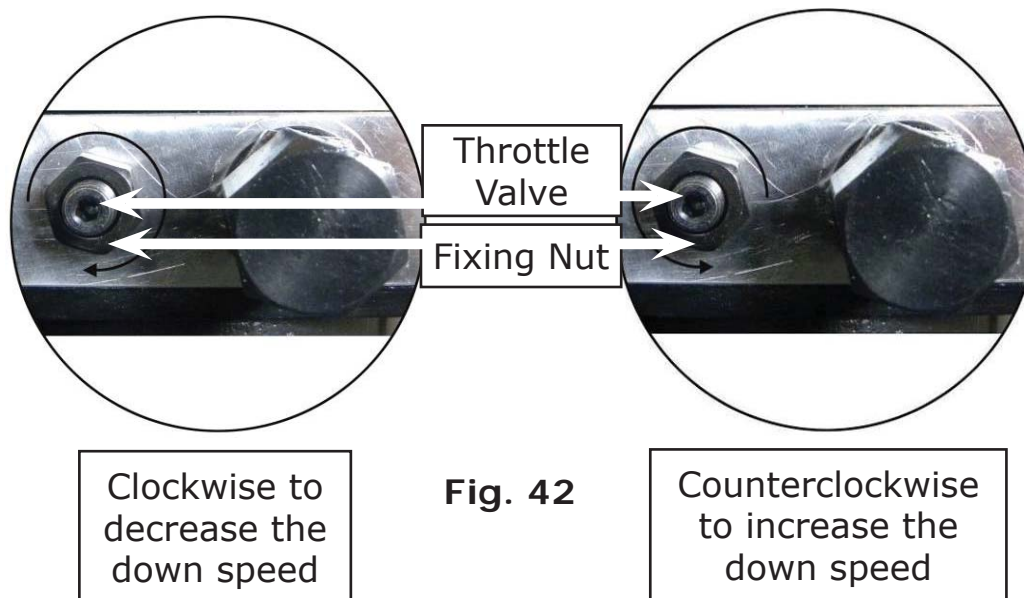


Fig. 41

## 4. Adjust the lower speed (Only for ATLAS power unit) (Adjust with a load on the lift)

You can adjust the lowering speed of the lift if necessary: Loosen the locking nut on the throttle valve, and then turn the throttle valve clockwise to decrease the lowering speed, or counterclockwise to increase the lowering speed. Do not forget to tighten the locking nut after the lower speed adjustment has been completed.

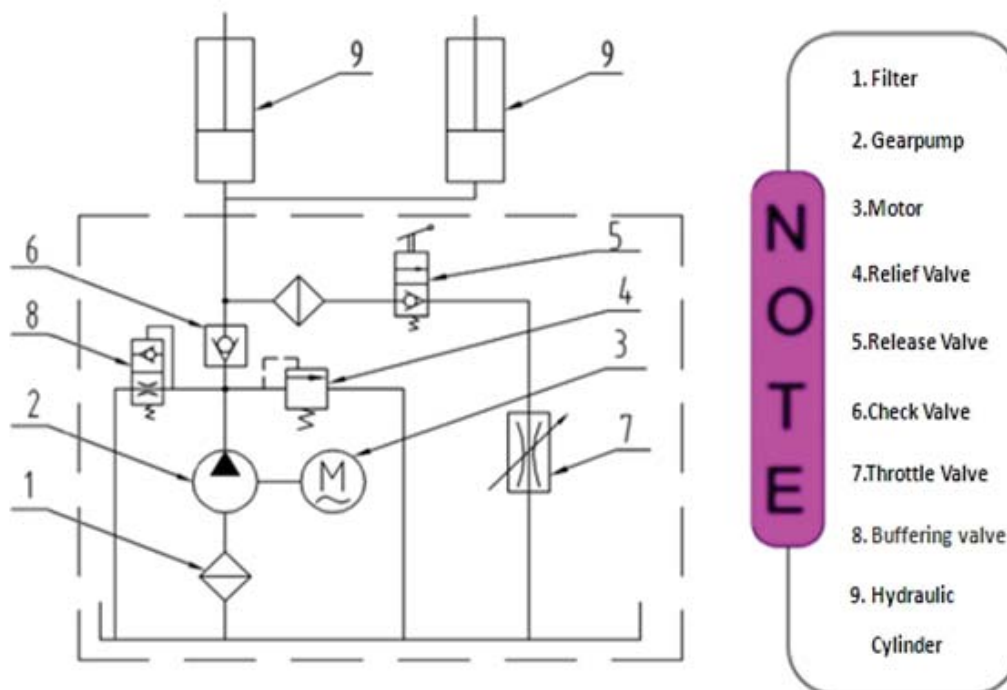


**Fig. 42**

### 5. Test with load

After finishing the above adjustment test run the lift with a load. Run the lift in the low position several times. Run the lift to the top completely.

**NOTE: If the lift vibrates on the way up with a load, lubricate all pulley shafts and wear blocks. If the lift vibrates on the way down, the cylinders need to be bled.**



**Fig. 43 - Hydraulic System**

# Operation Instructions

---

Please read the safety tips carefully before operating the lift

## To lift vehicle

1. Keep the lift area free of clutter;
2. Position lift arms to the lowest position;
3. Open lift arms;
4. Position vehicle between columns;
5. Move arms to the vehicle's lifting points;

**Note: The four lift arms must make contact at the same with the vehicle's lifting points and both axles must rise off of the ground at the same time.**

6. Press the **UP** button until the lift pads contact underside of vehicle. Check to make sure vehicle is secure;
7. Continue to raise the lift slowly to the desired working height, ensuring the balance of vehicle; Push lowering handle to lower lift onto the nearest locks. The vehicle is ready to repair. **Note: The lift must always be on the safety locks.**

## To lower vehicle

1. Keep the lift area free of clutter;
2. Press the button of **UP** to raise the vehicle slightly, and then release the safety device, lower vehicle by pushing lowering handle.
3. Open the arms and position them to the shortest length.
4. Drive away the vehicle.

# Maintenance Schedule

---

## Monthly:

1. Re-torque the anchor bolts to 65-86 Ft Lbs;
2. Check all connectors, bolts and pins to insure proper mounting;
3. Lubricate cable with lubricant;
4. Make a visual inspection of all hydraulic hoses/lines for possible wear or leakage;
5. Check the condition of the safety lock device;
6. Lubricate all rollers and pins with 90wt. Gear oil or equivalent;

**Note: All anchor bolts should take full torque. If any of the bolts do not function for any reason, DO NOT use the lift until the bolt has been replaced.**

## Every six months:

1. Make a visual inspection of all moving parts for possible wear, interference or damage.
2. Check and adjust as necessary, equalizer tension of the cables to ensure level lifting.
3. Check columns for plumb.
4. Check rubber pads and replace as necessary.
5. Check safety lock device and make sure the condition is suitable.

# Trouble Shooting

---

TROUBLE	CAUSE	REMEDY
Motor does not run	<ol style="list-style-type: none"> <li>1. Button does not work</li> <li>2. Wiring connections are not in good condition</li> <li>3. Motor burned out</li> <li>4. Height Limit Switch is damaged</li> <li>5. AC contactor burned out</li> </ol>	<ol style="list-style-type: none"> <li>1. Replace button</li> <li>2. Repair all wiring connections</li> <li>3. Repair or replace motor</li> <li>4. Replace the Limit Switch</li> <li>5. Replace AC Contactor</li> </ol>
Motor runs but the lift is not raised	<ol style="list-style-type: none"> <li>1. Motor runs in reverse rotation</li> <li>2. Gear Pump out of operation</li> <li>3. Release Valve in damage</li> <li>4. Relief Valve or Check Valve in damage</li> <li>5. Low oil level</li> </ol>	<ol style="list-style-type: none"> <li>1. Reverse two power wire</li> <li>2. Repair or replace</li> <li>3. Repair or replace</li> <li>4. Repair or replace</li> <li>5. Fill tank</li> </ol>
Lift does not stay up	<ol style="list-style-type: none"> <li>1. Release Valve out of work</li> <li>2. Relief Valve or Check Valve leakage</li> <li>3. Cylinder or Fittings leaks</li> </ol>	Repair or replace
Lift raises slowly	<ol style="list-style-type: none"> <li>1. Oil line is jammed</li> <li>2. Motor running on low voltage</li> <li>3. Oil mixed with air</li> <li>4. Gear Pump leaks</li> <li>5. Overload lifting</li> </ol>	<ol style="list-style-type: none"> <li>1. Clean the oil line</li> <li>2. Check Electrical System</li> <li>3. Fill tank</li> <li>4. Replace Pump</li> <li>5. Check load</li> </ol>
Lift will not lower	<ol style="list-style-type: none"> <li>1. Safety device are in activated</li> <li>2. Release Valve in damage</li> <li>3. Safety cable broken</li> <li>4. Oil system is jammed</li> </ol>	<ol style="list-style-type: none"> <li>1. Release the safeties</li> <li>2. Repair or replace</li> <li>3. Replace</li> <li>4. Clean the oil system</li> </ol>

# Parts List

Item	Part#	Description	Qty.		Note
			PV-9PX	PV-9HPX	
1	206019	Snap Ring	6	6	
2	206058	Bolt	2	2	
3	206059	Washer	2	2	
4	209057B	Bronze Bush For Pulley	6	6	
5	206020	Pulley	6	6	
6	206001C	Power side Inner Column	1	1	
201	209002	Manual Power Unit	1	1	
7	209003	Hex Bolt	8	8	
8	209004	Rubber Ring	4	4	
9	209005	Nylock Nut	8	8	
10	206002	Safety Pin	2	2	
11	209007A	Safety Spring	2	2	
12	206003	Handle Protective Plastic cushion	1	1	
13	206004	Power side Safety Lock	1	1	
14	209012	Hair Pin	2	2	
15	206006	Washer	22	22	
16	206023A	Hex Nut	2	2	
17	209009	Cup Head Bolt	10	10	
18	206004A	Safety Pulley Bracket	1	1	
19	206081	Safety Cover	2	2	
20	209126	Hex Bolt	20	20	
21	209022	Washer	56	56	
22	209021	Hex nut	20	20	
23	206010	Safety Pulley Bracket	1	1	
24	206009	Plastic Pulley	5	5	
25	209010	Snap Ring	5	5	
26	209033	Washer	4	4	
27	206151	Extension Column	2	0	
	206152		0	2	
28	206137	Wire Cable	1	0	
	206138		0	1	
29	209111	Protective Ring For Cylinder	2	2	
30	217056	Hydraulic Cylinder	2	2	
31	209015	Slider Block	16	16	
32	206046A	Arm Lock Bar (right)	2	2	

Item	Part#	Description	Qty.		Note
			PV-9PX	PV-9HPX	
33	206050A	Spring	4	4	
34	217044	Arm Lock	4	4	
35	206032	Snap Ring	4	4	
36	206036	Hair Pin	4	4	
37	209016	Carriage Plastic Cover	2	2	
38	206046B	Arm Lock Bar (left)	2	2	
39	206136	Arm Pin	4	4	
39A	520023	Snap Ring $\phi$ 38	4	4	
40	206048	Socket Bolt	12	12	
41	206049	Moon Gear	4	4	
42	209019	Screw	12	12	
43	209018	Protective Rubber	2	2	
44	206111A	Carriage	2	2	
45	206113	Lifting Arm - Front Right	1	1	
45A	206161	Outer Arm - Front Right	1	1	
45B	206118	Inner Arm - Front Right	1	1	
46	206112	Lifting Arm - Front Left	1	1	
46A	206160	Outer Arm - Front Left	1	1	
46B	206118	Inner Arm - Front Left	1	1	
47	206140	Lifting Arm - Rear Left	1	1	
47A	206162	Outer Arm - Rear Left	1	1	
47B	203047A	Inner Arm - Rear Left	1	1	
48	209039	Lock Washer	36	36	
49	201046A	Rubber Pad Assy.	4	4	
49A	420138	Socket bolt	4	4	
49B	209134	Rubber Pad	4	4	
49C	680030C	Rubber Pad Frame	4	4	
50	620065	shim	10	10	
51	201090	shim	10	10	
52	206025A	Foam Cushion	1	1	
53	201005	Split Pin	2	2	
54	206129	Control Bar	1	1	
55	206025C	Connecting Pin for Control Bar	2	2	
56	206013	Limit Switch	1	1	
57	206011	Cup Head Bolt	2	2	
58	206042	Control Bar Support Bracket	2	2	
59	206041	Hex Bolt	4	4	
60	206023	Nylock Nut	12	12	
61	209056	Nylock Nut	8	8	

Item	Part#	Description	Qty.		Note
			PV-9PX	PV-9HPX	
62	206016	Connecting Bracket	1	1	
63	206018B	Top Beam W/Bracket	2	2	
64	206028	Cup Head Bolt	4	4	
65	206029	Retainer	2	2	
66	206021	Pin For Pulley	2	2	
67	206022	Top Pulley Tube	2	2	
68	206024	Hex Bolt	8	8	
69	206010A	Safety Pulley Bracket	1	1	
70	206085	Protective cover L=1240	2	0	
	206086	Protective cover L=1850	0	2	
71	206084	Protective cover L=200	2	2	
72	206083	Protective cover L=385	2	2	
73	640050	Hex Bolt	4	4	
74	206008C	Safety Pulley Bracket	1	1	
75	206026	Offside Safety Lock	1	1	
76	206080	Protective cover L=1565	2	2	
77	206079	Cup head bolt	14	14	
77A	206110	Cup head bolt	6	6	
78	206030C	Offside Inner column	1	1	
79	209051B	Extension adaptor (1.5")	4	4	
80	209052B	Extension adaptor (2.5")	4	4	
81	209053B	Extension adaptor (5")	4	4	
82	209059	Anchor Bolt	10	10	
83	217048	Retainer	2	2	
84	209066	Hex nut	8	8	
85	206064A	Cable	2	0	
	206064B		0	2	
86	206073	T- Fitting For Power Unit	1	1	
87	206074A	Oil Hose	1	1	
88	209064	Straight Fitting	2	2	
89	206062	Straight Fitting	2	2	
90	233009	Pipe Fitting	2	2	
91	206061C	Oil Hose	1	0	
	206061D	Oil Hose	0	1	
92	260149	Safety cable	1	0	
	206065A	Safety cable	0	1	
93	420045	φ6 Washer	14	14	
94	209149	φ6 Spring Washer	4	4	
95	206504	Parts box	1	0	
	206505		0	1	



Item	Part#	Description	Qty.		Note
			PV-9PX	PV-9HPX	
96	620065	Shim (2mm)	10	10	
97	201090	Shim (1mm)	10	10	
98	206154	Front toe guard	2	2	
99	206155	Rear toe guard	2	2	
100	206156	Tool tray	2	2	

Item.	Part No.	Description	Qty.		Note
			PV-9PX	PV-9HPX	
<b>Parts For Hydraulic Cylinder</b>					
30-1	209069	O-Ring	2	2	
30-2	209070	Bleeding Plug	2	2	
30-3	209071	Support Ring	2	2	
30-4	209072	Y-Ring	2	2	
30-5	209073	O-Ring	2	2	
30-6	209074	Piston	2	2	
30-7	209075	O-Ring	2	2	
30-8	217076	Piston Rod	2	2	
30-9	209077	Piston Rod Fitting	2	2	
30-10	209078	Dust Ring	2	2	
30-11	209079	Head Cap	2	2	
30-12	209080	O-Ring	2	2	
30-13	209081A	Bore Weldment	2	2	

<b>Parts For ATLAS Manual Power Unit, 220V/60Hz/1phase</b>					
201-1	81400152	Motor (ETL certificate)	1	1	
201-2	81400209	Cover of Motor Terminal Box	1	1	
201-3	81400252	Contacto	1	1	
201-4	81400127	Motor Connecting Shaft	1	1	
201-5	81100175	Relief Valve	1	1	
201-6	81400210	Valve Body	1	1	
201-7	81400143	Plug	1	1	
201-8	209149	Spring washer	2	2	
201-9	81400148	Socket bolt	2	2	
201-10	81400135	Oil inlet Pipe	1	1	
201-11	81400144	O- Ring	1	1	
201-12	81400150	Filter	1	1	
201-13	81400145	Socket bolt	4	4	
201-14	420148	Cup Head Bolt	4	4	

Item.	Part No.	Description	Qty.		Note
			PV-9PX	PV-9HPX	
201-15	81400203	Cover of Capacitor	1	1	
201-16	81400250	Start Capacitor	1	1	
201-17	81400200	Running Capacitor	1	1	
201-18	81400204	Rubber Gasket	1	1	
201-19	420148	Cup Head Bolt	2	2	
201-20	81400050	Cover of Motor Terminal Box	1	1	
201-21	81400045	Push Button	1	1	
201-22	81400147	Bonded Washer	1	1	
201-23	81400146	Plug	1	1	
201-24	81400075	Release Valve	1	1	
201-25	81400117	Handle For Release Valve	1	1	
201-26	81400181	Washer	1	1	
201-27	81400044	Check Valve	1	1	
201-28	81400182	Hex nut	1	1	
201-29	81400040	Gear Pump	1	1	
201-30	81400068	Buffer valve	1	1	
201-31	81400136	Oil Return Pipe	1	1	
201-32	81400202	Filler Cap	1	1	
201-33	81400154	12L white reservoir	1	1	

# Warranty

---



**This item** is warranted for five (5) years on structural components, two (2) years on hydraulic cylinders, and one (1) year on electric or air / hydraulic power units from invoice date. Wear items are covered by a 90 day warranty.

This LIMITED warranty policy does **not include a labor** warranty.

**NOTE: ALL WARRANTY CLAIMS MUST BE PRE-APPROVED BY THE MANUFACTURER TO BE VALID.**

The Manufacturer shall repair or replace at their option for this period those parts returned to the factory freight prepaid, which prove after inspection to be defective. This warranty will not apply unless the product is installed, used and maintained in accordance with the Manufacturers installation, operation and maintenance instructions.

This warranty applies to the ORIGINAL purchaser only, and is non-transferable. The warranty covers the products to be free of defects in material and workmanship but, does not cover normal maintenance or adjustments, damage or malfunction caused by: improper handling, installation, abuse, misuse, negligence, carelessness of operation or normal wear and tear. In addition, this warranty does not cover equipment when repairs or alterations have been made or attempted to the Manufacturer's products.

THIS WARRANTY IS EXCLUSIVE AND IS LIEU OF ALL OTHER WARRANTIES EXPRESSED OR IMPLIED INCLUDING ANY IMPLIED WARRANTY OR MERCHANTABILITY OR ANY IMPLIED WARRANTY OF FITNESS FROM A PARTICULAR PURPOSE, AND ALL SUCH IMPLIED WARRANTIES ARE EXPRESSLY EXCLUDED.

THE REMEDIES DESCRIBED ARE EXCLUSIVE AND IN NO EVENT SHALL THE MANUFACTURER, NOR ANY SALES AGENT OR OTHER COMPANY AFFILIATED WITH IT OR THEM, BE LIABLE FOR SPECIAL CONSEQUENTIAL OR INCIDENTAL DAMAGES FOR THE BREACH OF OR DELAY IN PERFORMANCE OF THIS WARRANTY. THIS INCLUDES, BUT IS NOT LIMITED TO, LOSS OF PROFIT, RENTAL OR SUBSTITUTE EQUIPMENT OR OTHER COMMERCIAL LOSS.

**PRICES:** Prices and specifications are subject to change without notice. All orders will be invoiced at prices prevailing at time of shipment. Prices do not include any local, state or federal taxes.

**RETURNS:** Products may not be returned without prior written approval from the Manufacturer.

DUE TO THE COMPETITIVENESS OF THE SELLING PRICE OF THESE LIFTS, THIS WARRANTY POLICY WILL BE STRICTLY ADMINISTERED AND ADHERED TO.