

INSTALLATION & OPERATION MANUAL



Atlas 14K0F-EXT 14,000 lb. Capacity Four-Post Alignment Lift



Atlas Automotive Equipment
www.atlasautoequipment.com
(866) 898-2604

Revised 9/5/2018

Read this entire manual before operation begins.

Record below the following information which is located on the serial number data plate.

Serial No. _____

Model No. _____

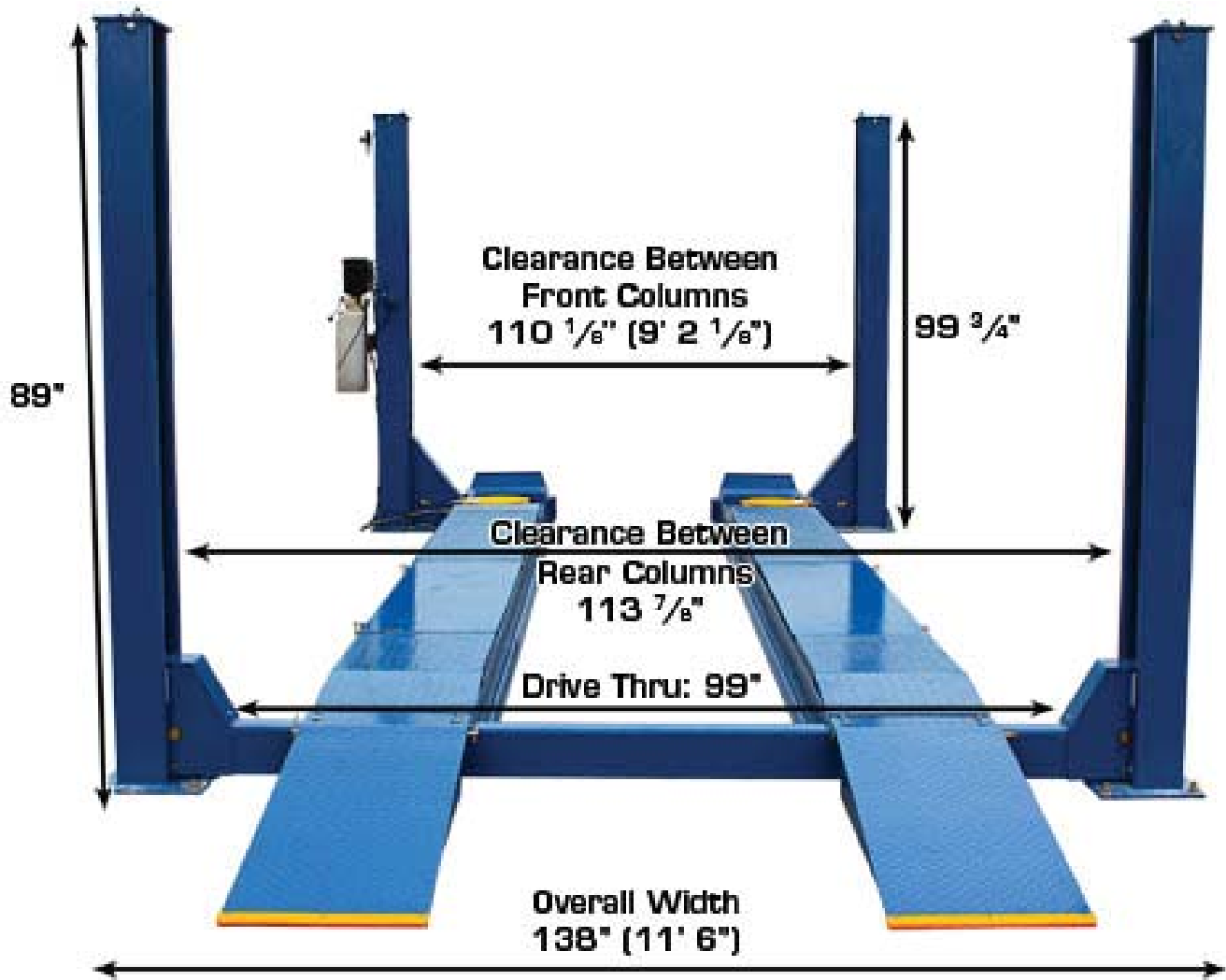
Date of Installation _____

———— Contents ————

| | |
|---|----|
| Specifications | 4 |
| Important Information | 6 |
| Tools Required for Installation | 7 |
| Anchoring Tip Sheet. | 8 |
| Installation | 9 |
| Operation Instructions. | 25 |
| Maintenance Schedule. | 26 |
| 14KOF-EXT Parts List | 30 |
| Warranty | 51 |

Specifications

| | |
|--|---|
| Capacity | 14,000 LB. |
| Motor 220volt Single Phase | Range 208-230 VAC |
| Lifting Height | 69 7/8" |
| Clearance Under Runways | 61 1/2" |
| Overall Width | 138" |
| Overall Length with Approach Ramps | 280" |
| Overall Length without Approach Ramps | 239" |
| Length of Approach Ramps | 49 1/4" |
| 4-Wheel Alignment Wheelbase | Maximum 162" Minimum 81" |
| 2-Wheel Alignment Wheelbase | Maximum 178" Minimum 81" |
| Runway Length | 223" |
| Width Between Runway Rails | 39 1/8" |
| Outside Runway to Outside Runway | 82 1/2" |
| Runway Width | 19 3/4" |
| Thickness of Runway | 8 3/8" |
| Width Between Runways | 42 5/8" |
| Height of Columns | Rear: 89" Front: 99 3/4" |
| Column Dimension | Rear: 6" X 9 1/2" Front: 7 1/2" X 11" |
| Base of Column | Rear: 12 1/2" X 14 1/4" Front: 17 3/4" X 21 3/4" |
| Clearance Between Columns | Rear: 113 7/8" Front: 110 1/8" |
| Outside Column to Outside Column | Rear: 125 3/4" Front: 125 1/8" |



Important Information

Please read this manual thoroughly before installing and operating the lift.

Warning: It is difficult to collect for damaged or lost items after you have given the freight carrier a clear receipt. If there is any damage to the product before assembly, notify the carrier at once! Ideally, freight damage should be reported to the freight carrier with a freight claim established at the time of drop off. **We are not responsible for freight damage.** Shortages or damage also must be reported within 7 business days to your local Atlas distributor.

The concrete floor where the lift will be installed must be a minimum of 4" in thickness. The concrete must have a minimum compressive strength of 3,000 PSI. Failure to comply could result in personal injury, property damage and / or unsatisfactory lift performance.

Do not raise the vehicle on the lift until the lift has been installed and adjusted correctly as described in this manual.

Lubricate all cable sheaves, bearings and shafts before installing the lift.

Motors and electrical components are not sealed against the weather and moisture. Install the lift in protected indoor location or use a protective cover for the motor.

Use **AW 32 or AW 46** hydraulic fluid. **Do not use TRANSMISSION FLUID.**

Tools Required for Installation

Concrete Rotary Hammer Drill with $\frac{3}{4}$ " carbide drill bit

12" Crescent Wrench

Open End Wrench Set

Phillips & Flat Head Screwdriver

Sledge Hammer

Retainer Ring Pliers

Electrical Pliers

4 foot Level

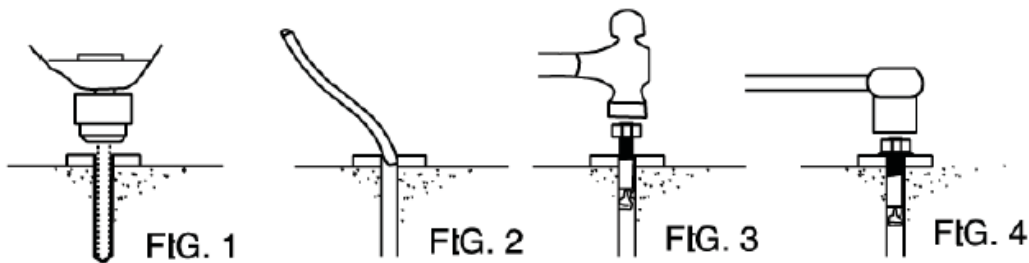
25 foot Tape Measure

Step Ladder

3 Gallons of Hydraulic Oil, SAE-10 or equivalent (AW 32 or AW 46)

Installation will take a minimum of 6 people. A forklift or other hoisting device will make the installation easier.

Anchoring Tip Sheet



1. Use a concrete hammer drill with a carbide tip, the same diameter as the anchor, 3/4". Do not use excessively worn bits or bits which have been incorrectly sharpened.
2. Keep the drill in a perpendicular line while drilling.
3. Let the drill do the work. Do not apply excessive pressure. Lift the drill up and down occasionally to remove residue to reduce binding.
4. Drill the hole to depth equal to the length of anchor.
5. For better holding power, blow dust from the hole.
6. Place a flat washer and hex nut over threaded end of anchor, leaving approximately 1/2 inch of thread exposed, and carefully tap anchor. Do not damage threads. Tap anchor into the concrete until nut and flat washer are against base plate. Do not use an impact wrench to tighten. Tighten the nut, two or three turns on average concrete (28-day cure). If the concrete is very hard, only one or two turns may be required.

Installation

IMPORTANT NOTICE

These instructions must be followed to insure proper installation and operation of your lift. Failure to comply with these instructions can result in serious bodily harm and void the product warranty. Manufacturer will assume no liability for loss or damage of any kind, expressed or implied resulting from improper installation or use of this product.

**Please read entire instruction before
starting to assemble the lift**

STOP!!!!

Open up the parts box and verify all parts are present

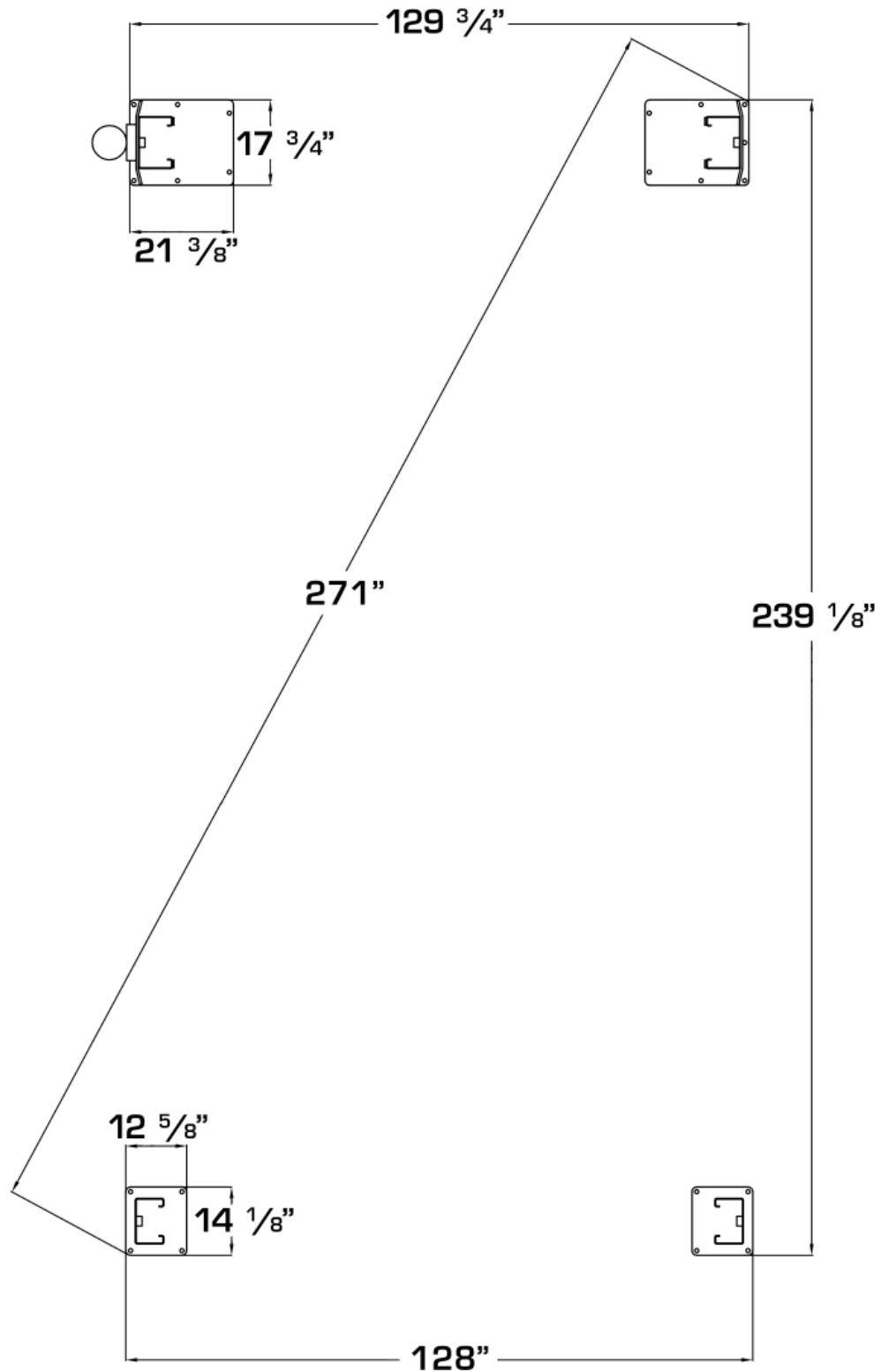


STEP 1: {Unloading & Unpacking}

1. After unloading the lift, place it next to the installation sight.
2. Remove the shipping bands and packing materials.
3. Remove the packing brackets and bolts holding the two columns together. **Do not discard the bolts; some may be needed in the assembly of the lift.**

STEP 2: {Site Layout}

1. Once a location is determined, use a carpenter's chalk line to layout a grid for the column locations. **(CAUTION)** Keep all of the dimensions square to ensure proper operation and avoid damage to the lift.
2. Before assembling the lift, drive a vehicle into the installation position to check for adequate clearance.
3. **Note:** All four columns need to be level and square from front to back and side to side.



STEP 3: {Locate the Lift Components}

1. Use a forklift or other lifting device to move the runways into the desired location. The cylinder runway must be positioned on the driver's side. Use wooden blocks or jack stands under the runways to set them about 12 inches off of the ground and parallel to each other.
2. Turn the runway with the cylinder over. By hand, pull the cylinder shaft out to its maximum length.



Before



After

3. Place the columns and cross beams near their relative positions. The column with the power unit mounting bracket will be positioned on the driver's front.

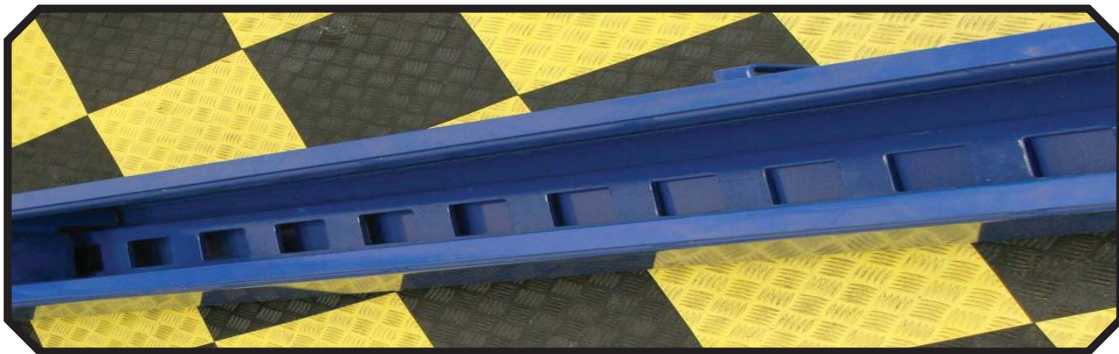
STEP 4: {Rear Cross Beam}

1. Remove the pins on both ends of the rear cross beam. The pins will be reinserted after the cables are routed. The pins hold the cables up in the pulleys so they do not slip off. This same step will need to be completed on the front cross beams.

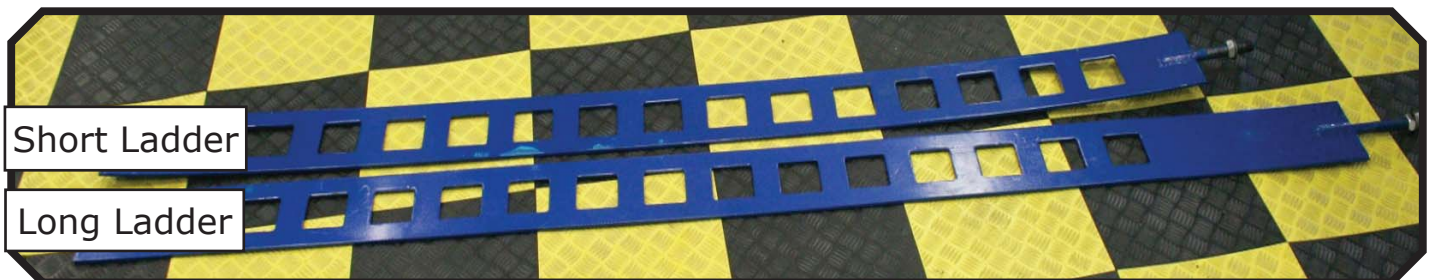


Remove C-clip

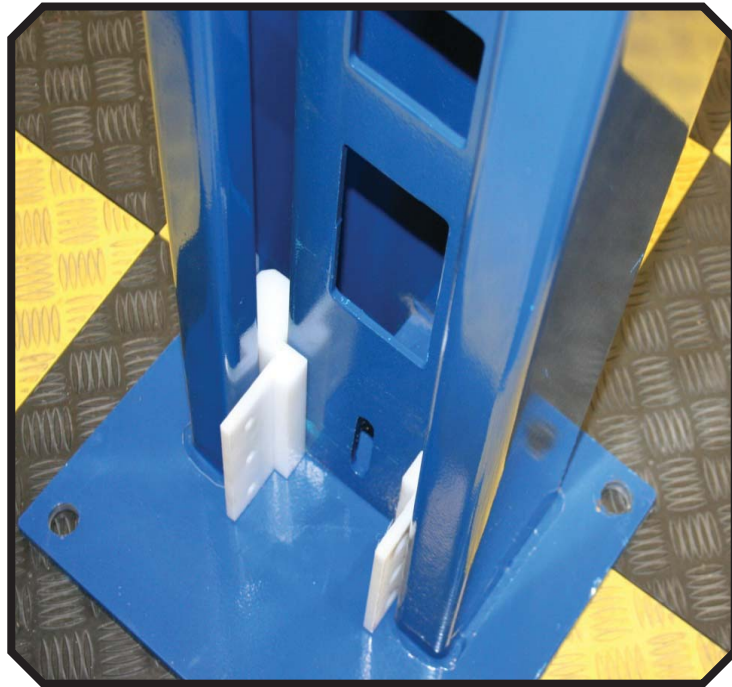
2. Lay each rear column down facing upward. The rear Columns are 89" in length.



3. Insert the *short locking ladders* into the rear columns. Set the columns upright into their relative positions.



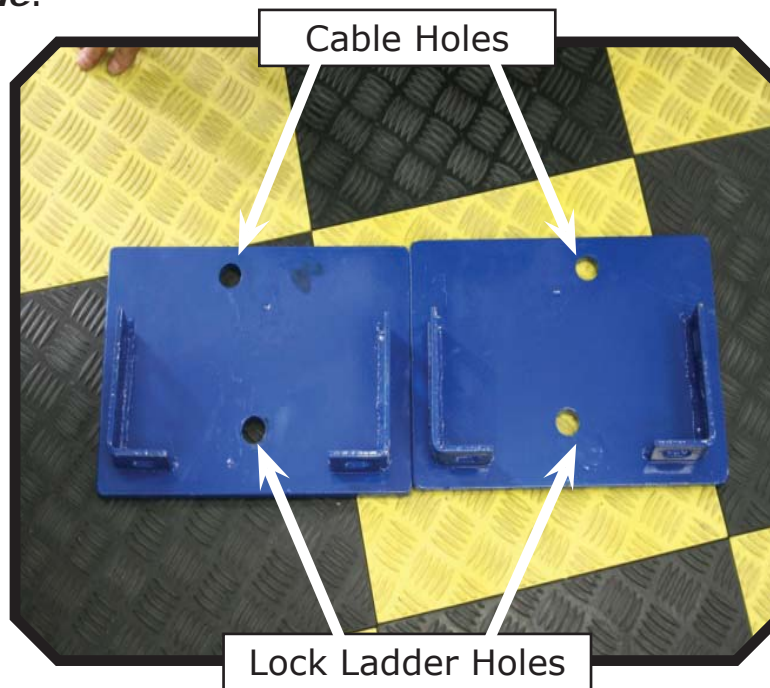
4. Maneuver the white wear blocks into the columns so the slotted ends mesh with the lock ladder. There are 2 wear blocks per side.



5. Using the bolt supplied at the bottom of the column, attach the short lock ladders. ***Do not tighten the bolt.***



6. Bolt on the top cap. Pay close attention to the top caps. There is a *left side* and a *right side*.



7. Insert the top of the short lock ladder through the top cap. Bolt down the top cap until $\frac{1}{2}$ inch of thread is exposed at the top.



8. Maneuver the rear crossbeam into each column. Screw the wear blocks to the rear cross beam: 12 pan head screws supplied.



STEP 5: {Front Cross Beams}

1. Remove the pins on both ends of the front cross beams. The pins will be reinserted after the cables are routed. The pins hold the cables up in the pulleys so they do not slip off.

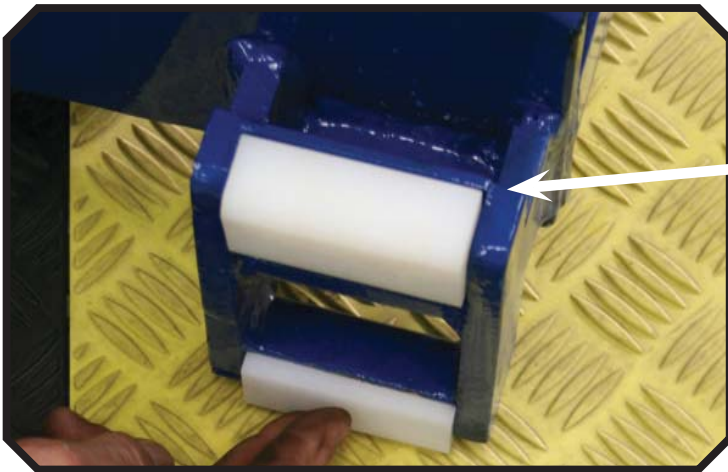


Remove C-clip

2. Lay each front column down facing upward. The front Columns are 99 3/4" in length.



3. Insert white wear blocks into the front cross beams' carriages. There are 4 white wear blocks per side. Make sure the rounded edge of the white wear block is facing outward. The rounded edge makes contact with the inside corners of the column.



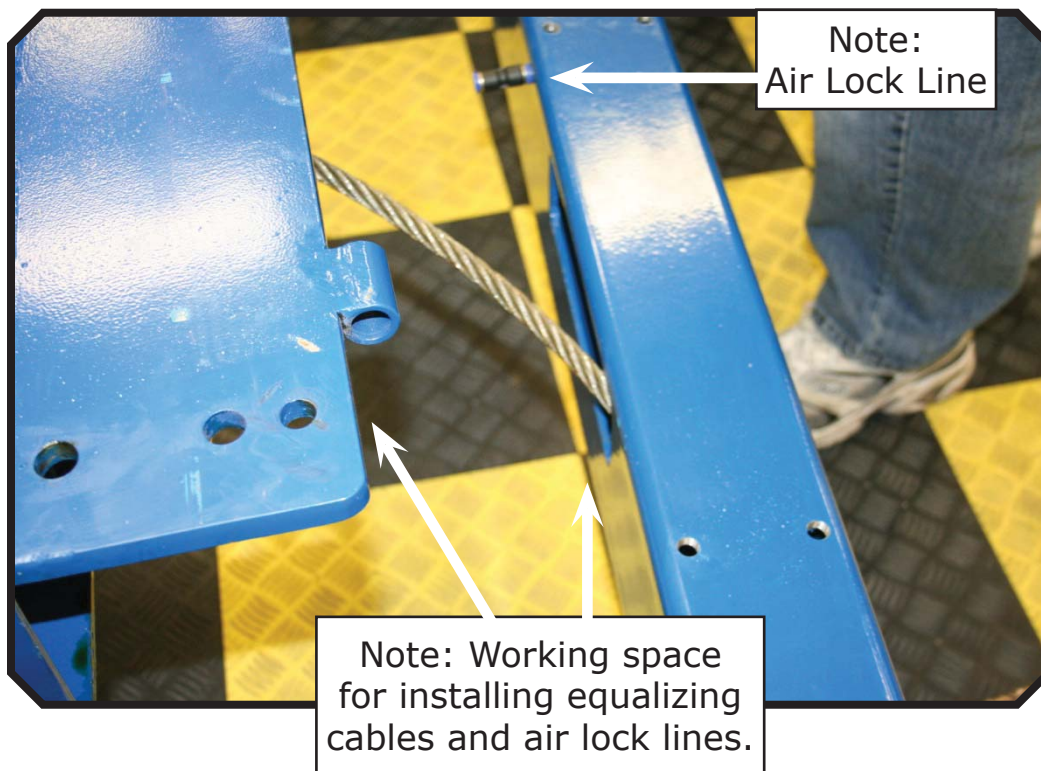
4. Pick up the cross beams and slide them into the columns. Make sure the cross beams are pushed to the bottom of the columns. It helps to have 2 people for this procedure.



5. Insert the **long locking ladders** through the cross beams. Using the bolt supplied at the bottom of the column, attach the long lock ladders. **Do not tighten the bolt.** (Refer back to Installing Rear Cross Beam steps 3 & 5.
6. Bolt on the top cap. Pay close attention to the top caps. There is a **left side** and a **right side**. (Refer back to Installing Rear Cross Beam step 7.
7. Insert the top of the long lock ladder through the top cap. Bolt down until ½ inch of thread is exposed at the top.
8. Set both front columns upright and as close to their relative position.

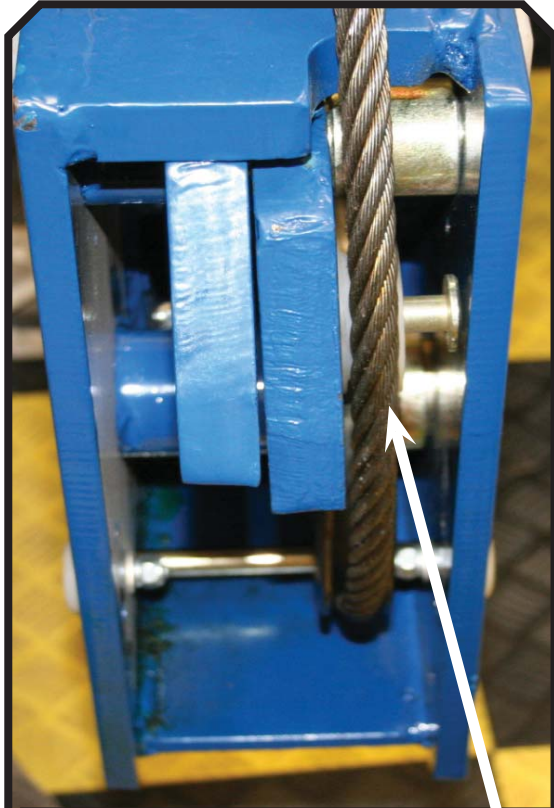
STEP 6: {Runway Installation}

1. The runways should already be positioned in their relative positions and elevated above the front and rear cross beams. If not, do this now.
2. Leave working space between runways and cross beams so the cables can be routed into their home positions. Connect the air lock lines at this time.

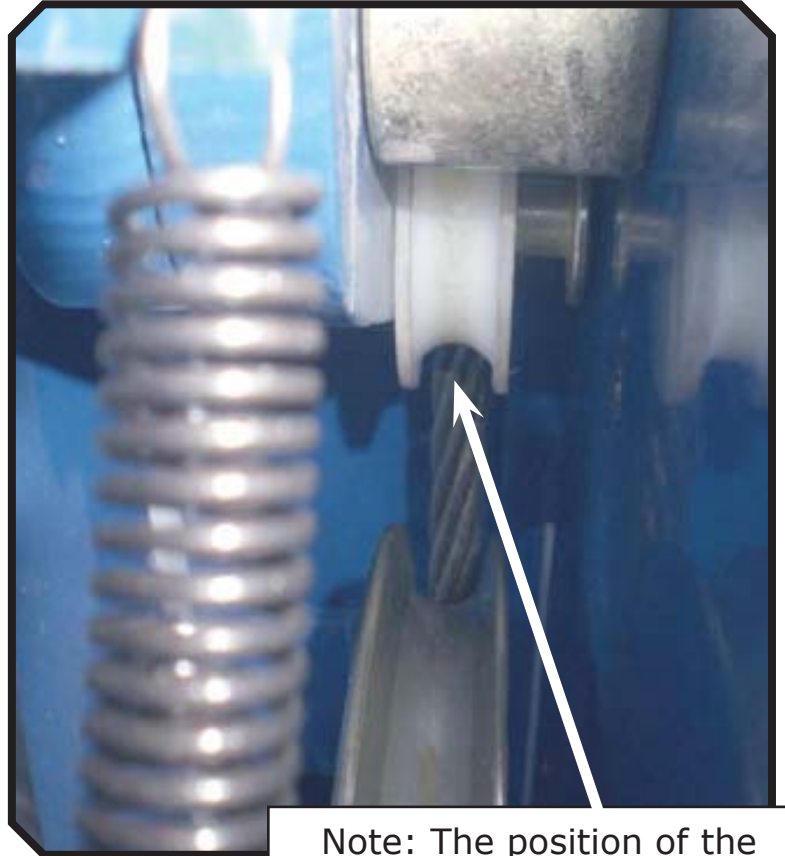


3. Route each equalizing cable into their positions. The longest cable is the Passenger front (421.4"). The 2nd long cable is the driver's front (359.3"). The 3rd long cable is the passenger rear (218.2"). Shortest cable is the driver's rear (156.1").

4. When routing the equalizing cables through the cross beam pulleys, pay close attention to the position of the equalizing cables to the ***small white*** safety lock pulley. On the front cross beams, the equalizing cables should be routed over the ***small white*** safety lock pulley. On the rear cross beam, the equalizing cables will be routed behind the ***small white*** safety lock pulley.



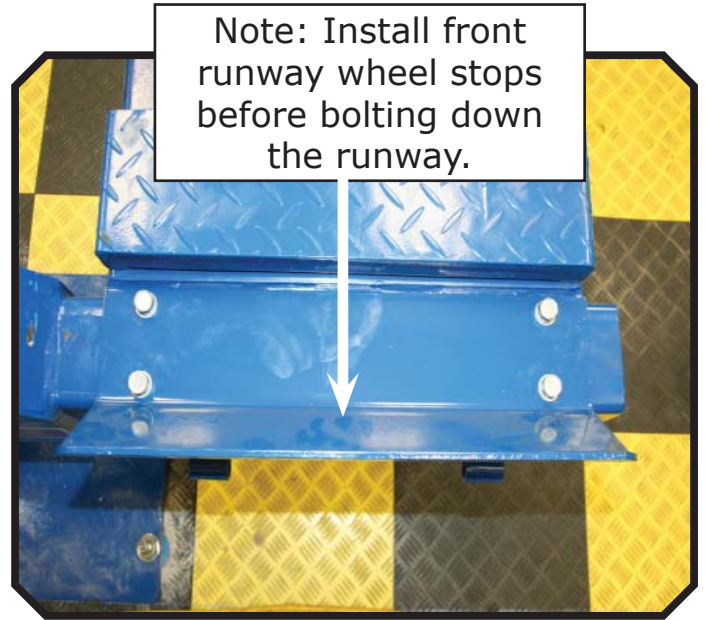
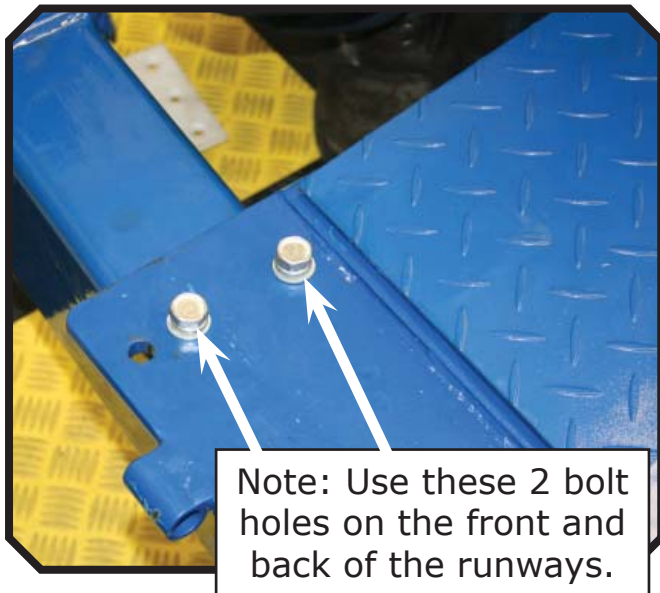
Note: The position of the equalizing cable is in front of the ***small white*** safety lock pulley. ***Front cross beams.***



Note: The position of the equalizing cable is behind the ***small white*** safety lock pulley. ***Rear cross beam.***

5. Install the runways. Do not tighten the bolts. Just make them snug. This will allow for movement when plumbing and squaring the lift.

6. Double check all air lock lines for connection prior to installing the runways on the cross beams.



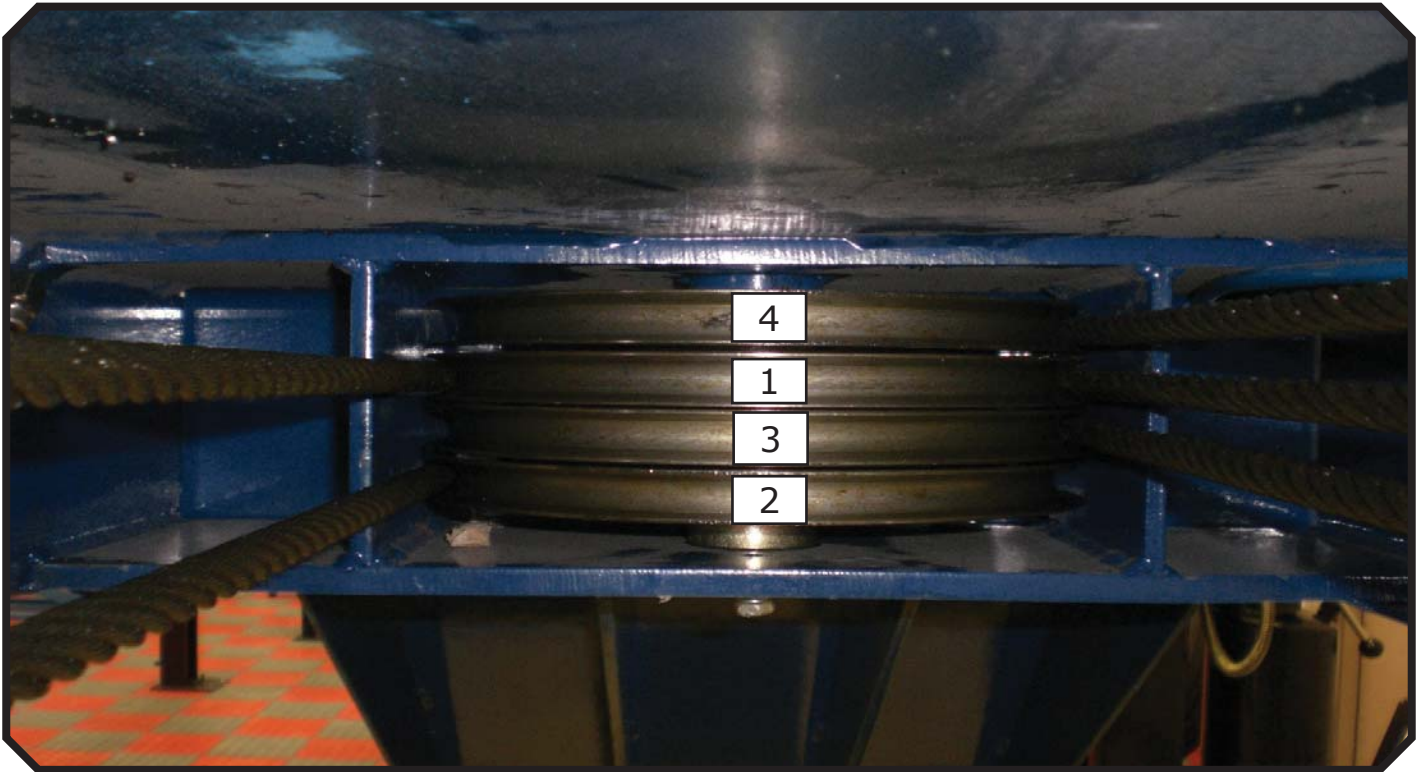
STEP 7: {Anchoring the Lift}

1. Square all columns. This can be achieved by checking the angles from the front driver's side column base to the rear passenger side column base. Check the square from the front passenger side column base to the rear driver's column base. A dead blow hammer or other tool may be needed to adjust each column to true the squaring of the lift.
2. Use a hammer drill and a $\frac{3}{4}$ " masonry drill bit and drill the anchor holes through the holes on the base of the columns. Tap the anchors into place with sledge hammer.
3. Using a level, plum each column. If needed, use shims provided in the parts box.
4. Tighten anchors to 100 foot pounds.
5. ***Tighten the runway bolts to the cross beams.***

STEP 8: {Cable Routing}

1. The cables are routed when the lift is packaged. During the installation process, the cables may fall out of their primary positions on the cable sheave (4 pulley stack).
2. **Cable Identification:** Cable 1-Driver's Front; Cable 2-Driver's Rear; Cable 3-Passenger Rear; Cable 4- Passenger Front
3. Follow picture diagrams below for cable positions.

Cable Sheave Routing

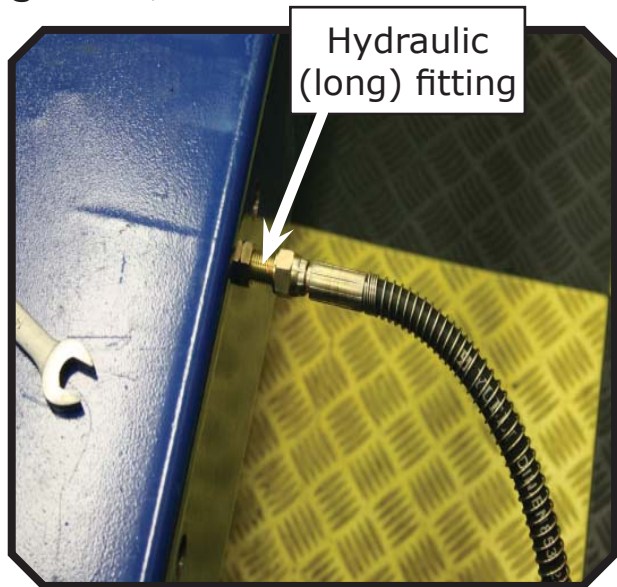


Cylinder Cable Support



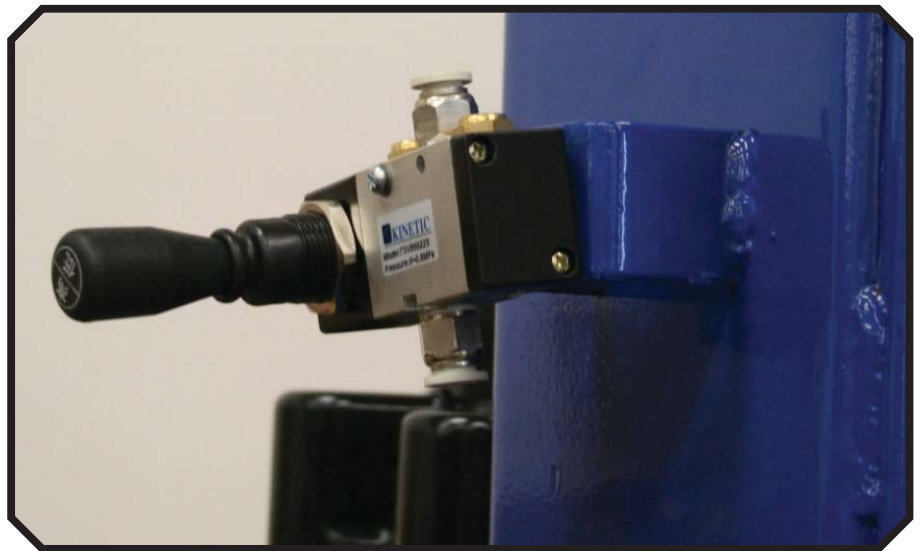
STEP 9: {Power Unit & Hydraulic Connections}

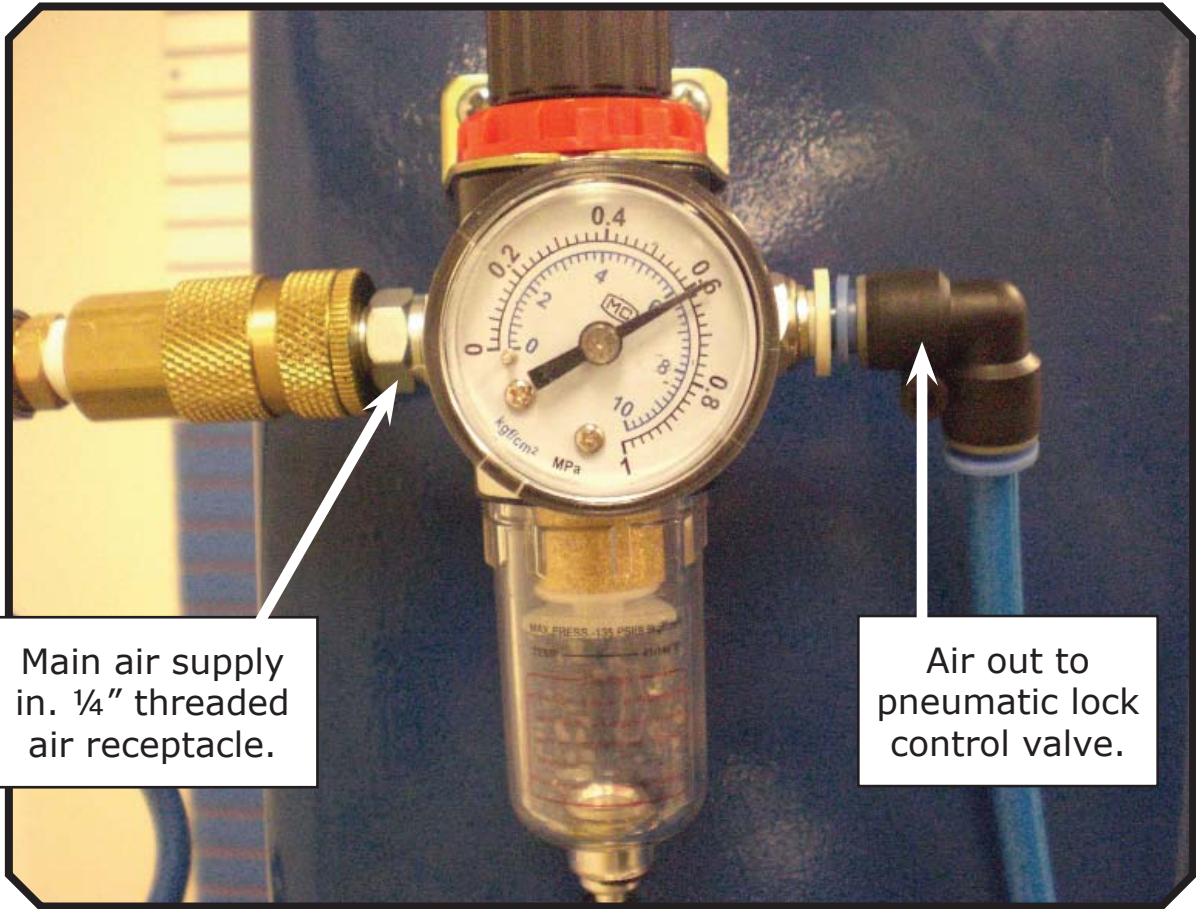
1. With the nuts, bolt and washers supplied, mount the 220 volt power unit to the driver's side column.
2. Thread the hydraulic (short) fitting into the power unit's valve body block and connect the hydraulic hose.
3. Thread the hydraulic (longer) fitting through the runway and tighten. Connect the power unit hydraulic hose and cylinder hydraulic hose fitting.
4. Fill reservoir with hydraulic fluid. (3.5 gallons)



STEP 10: {Pneumatic (*Air*) Component Installation}

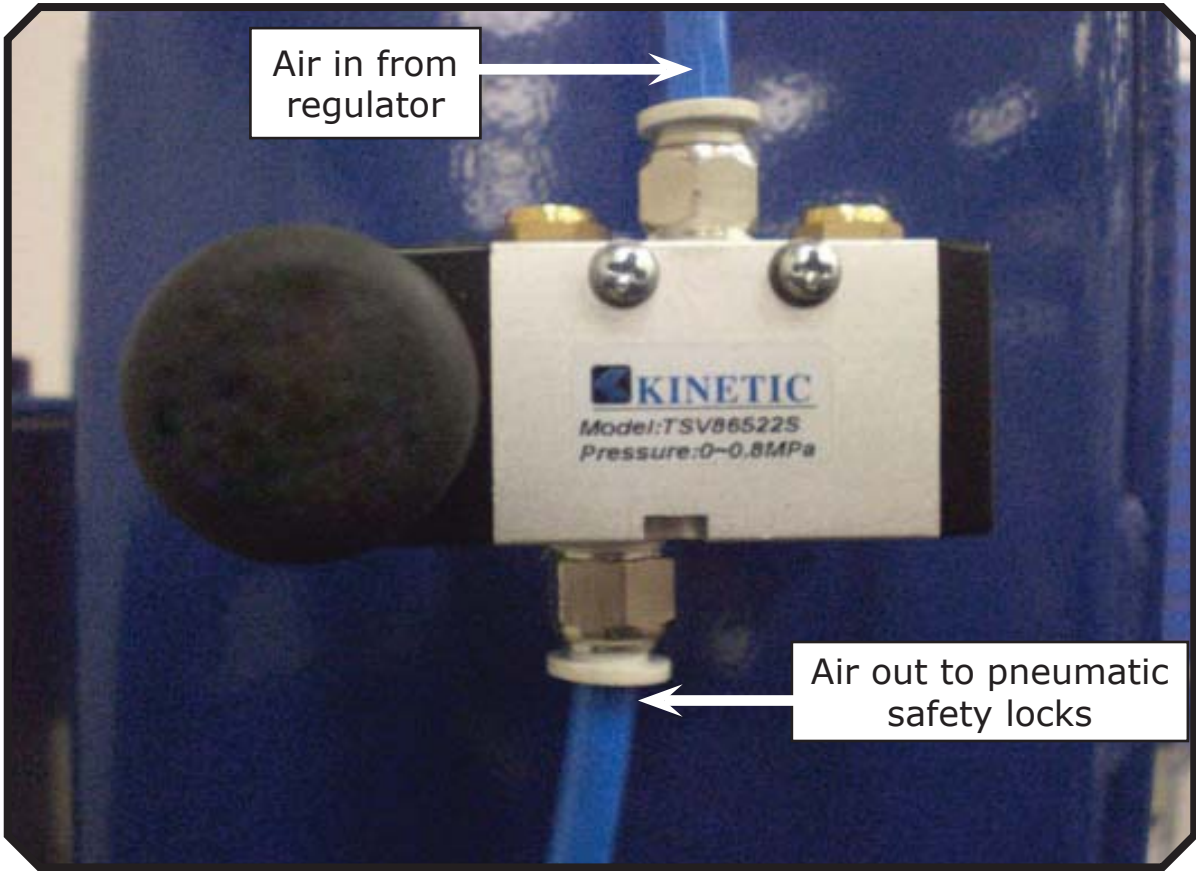
1. With the hardware provided, install the air lock control valve and the regulator/moister trap. Connect pneumatic lines (provided). See photos below for pneumatic line installation.





Main air supply in. 1/4" threaded air receptacle.

Air out to pneumatic lock control valve.



Air in from regulator

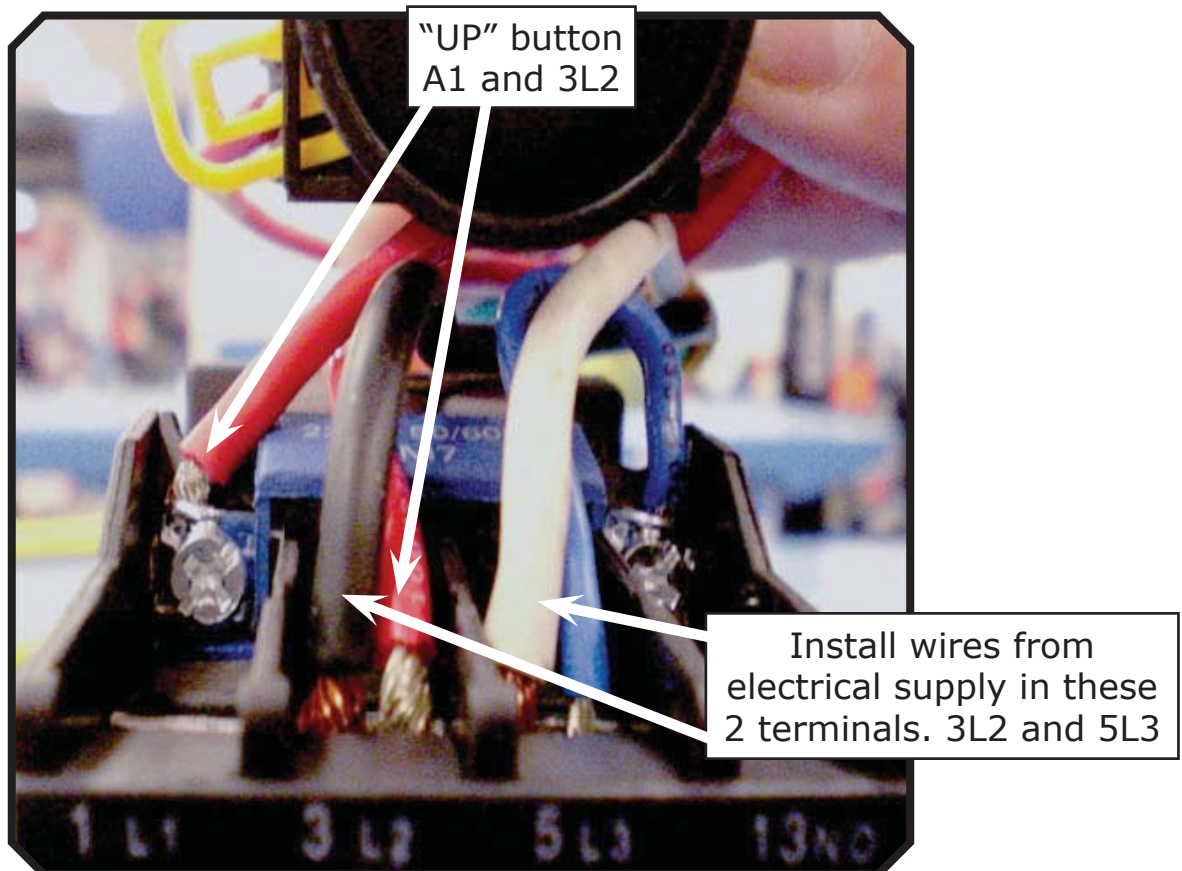
Air out to pneumatic safety locks

STEP 11: {Runway Leveling}

1. Engage all 4 corners of the lift on the same lock level.
2. Check the level of the driver's side runway by placing a level lengthwise on the runway.
3. Adjust the runway by loosening or tightening the lock ladders accordingly.
4. Repeat procedures 2 & 3 for the passenger side runway.
5. Lay the level across opposing runways and adjust until level. This procedure will be performed on the front and rear of the lift.
6. Double check all leveling points.
7. Tighten bolts on the bottom of the lock ladders
8. Connect runway approach ramps.

STEP 12: {Electrical Connection}

1. Have a certified electrician install a dedicated **30amp** breaker.
2. **Follow the diagram below for 220 volt motor wiring.** Make certain that the wires are installed in the proper legs of the **AC contactor** for normal operation.



STEP 13: {Grease Fittings}

1. Insert grease fittings



STEP 14: {Pre-Operation Check List-Less Load}

1. Insert 3 to 4 drops of air tool oil in the air supply inlet. Repeat this at least every 2 weeks. Connect air supply, set pressure to no more than 120psi (8bar). Inspect for leaks.
2. Pressurize the hydraulics by pressing the up button on the power unit. Inspect the hydraulic system for leaks.
3. Raise and lower lift at least 3 times while inspecting cable routing/function and pulley rotation. ***Do not over heat or toggle the motor***
4. Listen for locks to click at the same time while raising the lift.
5. If locks do not click at the same time (synchronize), repeat the procedures on **STEP 11:** {Runway Leveling}.

Operation Instructions

To lift vehicle

1. Keep the work area clean and free of clutter
2. Drive vehicle to the Platform and put on the brake
3. Turn on the power and press the button **UP**, raise the lift to the working position

Note: make sure the vehicle is steady when the lift is raised.

4. Push the handle on the release valve to rest the lift on the safety locks. Make sure the safety device is locked at the same height.

To lower vehicle

1. Be sure there are no people or objects under the lift, only leaving operator in lift area
2. Press the button **UP until the lift has cleared the locks**, press and hold the manual-controlled air valve to release the safety device. Push the handle on the lowering valve with the other hand. The lift will lower automatically.
3. Drive away the vehicle when the lift is lowered to the lowest position

Maintenance Schedule

Daily Inspection & Maintenance

1. **Cleanliness:** Cables, Columns, Runways and other lift parts should be kept free of corrosive agents, solvents and road salts. If such agents are spilled or splashed on any lift component, immediately rinse thoroughly with water and wipe down with a clean rag. Spray wire rope cables as required with Penetrating Oil and wipe down.
Failure to keep lift free of corrosive agents and solvents will lead to reduced component service life, cable failure, etc., which could result in property damage and/or personal injury.
2. **Fasteners:** Check all the attaching bolts and nuts for tightness.
3. **Cables:** Check wire rope cables for wear or damage. Any cable with broken wires, severe corrosion, excessive stretch, deformed strands, variations in diameter (necking), or any change from its normal appearance, must be replaced. If any cable is found to be in need of replacement, the entire cable set must be replaced immediately. Refer to figures below.
4. **Sheaves:** Check sheaves (pulleys) for wear or damage, i.e. wobble (tilt), cracks, loose on pin, or excessive noise during operation.
5. **Sheave Pins:** Check for loose or missing sheave (pulley) pins.
6. **Locking Latches and Slack Cable Devices:** Watch locking latches and slack cable devices during lift operation to ensure that latches work properly and line up with slots in latch plate located in columns.

Monthly Inspection & Maintenance

1. **Cables:** Clean wire rope cables with lift in both lowered and raised position by spraying with Penetrating Oil and wiping the cable down.
2. **Slack Cable:** Inspect slack cables and pulley devices.
3. **Column Anchor Bolts:** Check column anchor bolts for tightness. Re-torque anchors bolts to 100 ft/lbs. If anchors do not tighten to the required installation torque, replace concrete under each column base per installation instructions. Let concrete cure before installing lifts and anchors.
4. **Columns:** Look for corrosion, giving special attention to the area at the base of the column. Check severely corroded areas by pecking with an awl or welder's

chipping hammer. If column is corroded through at any point it must be replaced immediately. If not corroded through, remove old paint and rust scale, then coat with a high quality corrosion resistant paint. A thorough inspection of the lifting system must be performed quarterly by qualified lift service personnel; more frequently (monthly) under extreme service conditions such as outside installations or high usage (10 or more cycles per day, etc.).

Quarterly Inspection & Maintenance

1. **Cables:** Inspect cables in both lowered and raised position. The cables may also be viewed through various inspection holes and openings in yokes and runways. Check all the following:
 - a. That cables have no broken wires visible, reference Daily Inspection & Maintenance.
 - b. That cables are free of severe corrosion and pitting, reference Daily Inspection & Maintenance. A light surface corrosion on exposed outer wires is normal. Penetrating Oil should be applied during monthly periodic inspection.
 - c. That there are no areas on the cable that have a greatly reduced diameter or "necking", reference Daily Inspection & Maintenance. When any cable is found with excessive necking, all cables must be replaced immediately.
 - d. That cables do not have excessive stretch. It is normal for new cable to require adjustment during "break in", after which small periodic adjustments may be required. However, if a cable that has been in service for 6 months should suddenly require frequent adjustments or has used all the cable adjustment available, **all cables must be replaced immediately.**
 - e. If any cable is found to be in need of replacement, **the entire cable set must be replaced immediately.**
 - f. Cables are expendable items and should be replaced as a set every 20,000 cycles (estimated) or every 6 years, unless earlier replacement is indicated during inspection.

2. **Sheaves and Pins: Inspect sheaves and pins in yokes and runways. Sheaves are expendable items. Sheaves and pins should be replaced when worn. Use of sheaves and pins with excessive wear will lead to reduced service life of cables.**
 - 2.1. Inspect sheaves (pulleys) in yoke ends with lift in lowered position or resting on the locking latches.
 - a. Hold lowering handle down and pull on cable in column to create slack in cables.
 - b. Check for excessive side to side wobble. Grasp rim of sheave and attempt to wobble (tilt) side to side. If sheaves wobble (tilt) more than 3/16" (4.8 mm) side to side or move up and down on shaft more than 1/32" (0.8mm), the sheave and pin (shaft) should be replaced.
 - c. Check sheaves and replace if cracks are found.
 - d. Check for ease of rotation. If sheaves do not turn freely, the sheave and sheave pin should be removed, inspected, lubricated, and reinstalled or replaced.

- 2.2 Fully raise lift. Inspect sheaves (pulleys) in runway ends with lift in raised position.
- a. Visually inspect alignment of sheaves. Misalignment of sheave(s) indicates excessive wear; the sheave(s) and sheave pin should be removed and inspected. Replace as required.
 - b. Hold lowering handle down to lower lift onto latches. Pull on cables under runway to create cable slack.
 - c. Check for excessive side to side wobble. Grasp rim of sheave and attempt to wobble (tilt) side to side, refer to figures above. If sheaves wobble (tilt) more than 1/16" (1.6 mm) side to side, or move in and out more than 1/32" (0.8 mm), the sheave and sheave pin (shaft) should be replaced.
3. **Hydraulic Cylinder:** Inspect the hydraulic cylinder mounting to the runway. Inspect cylinder and hydraulic hoses for leaks. Repair or replace as required.
- 3.1. Check and tighten the hydraulic cylinder rod nuts holding the cable pull bar.
4. **TRACKS for Rolling Jack:** Inspect rolling jack tracks for cleanliness, corrosion, excessive wear or damage. Clean dirty tracks. Worn or damaged tracks must be repaired immediately. Failure to do so will lead to reduced service life which could result in property damage and/or personal injury.
5. **Latch Inspection and Adjustment:** Check locking latches for proper operation. Inspect for worn or missing parts. Replace worn or damaged parts and adjust as required.
6. **Check latch operation on all four corners.**
7. **Latch and Latch Bar Line-Up:** Observe locking latches during lift operation to ensure that all latches line up with slots in latch bar located in all four columns. If not, relocate and/or re-shim columns.
8. **Check slack cable devices for proper operation**
9. **Inspect for worn or missing parts:** Replace worn or damaged parts as required.
10. **Observe both locking latches and slack cable devices during lift operation to ensure that all latches line up with slots in latch bar located in all four columns.**

14KOF-EXT Parts List

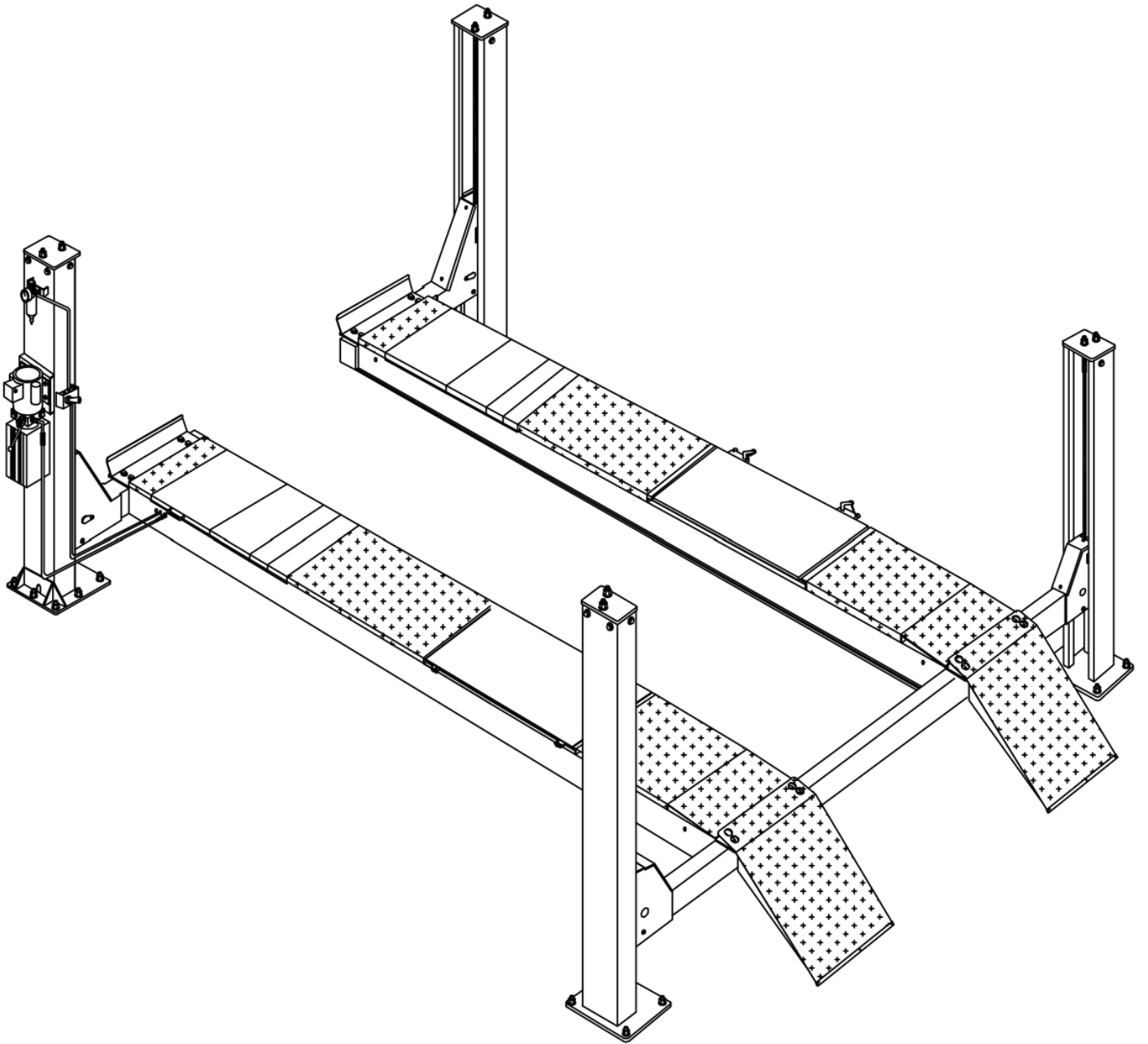
| ITEM | DESCRIPTION | QTY | REMARK |
|------|--------------------------------------|-----|----------|
| 1 | Beam weldment(master, open side) | 1 | |
| 2 | Beam weldment(slave, open side) | 1 | |
| 3 | Beam weldment(close side) | 1 | |
| 4 | Platform weldment(slave side) | 1 | |
| 5 | Platform weldment(master side) | 1 | |
| 6 | Ramp weldment | 2 | |
| 7 | Baffle | 2 | |
| 8 | sliding plate weldment | 2 | |
| 9 | Small ramp weldment | 2 | |
| 10 | Surface mount plate | 2 | 610*500 |
| 11 | Frame of sliding plate | 2 | |
| 12 | Surface mount plate | 2 | 1720*500 |
| 13 | Cover plate A for turntable position | 4 | 100*500 |
| 14 | Cover plate B for turntable position | 2 | 300*500 |
| 15 | Cover plate C for turntable position | 2 | 520*500 |
| 16 | Limited plate | 2 | 125*500 |
| 17 | Flat washer $\phi 12$ | 78 | |
| 18 | Spring washer $\phi 12$ | 62 | |
| 19 | Nut M12 | 44 | |
| 20 | Hexagon screw M10*3.5 | 4 | |
| 21 | Spring washer $\phi 10$ | 7 | |
| 22 | Flat washer $\phi 10$ | 7 | |
| 23 | Sliding plate pin | 4 | |
| 24 | Pin ring | 8 | |

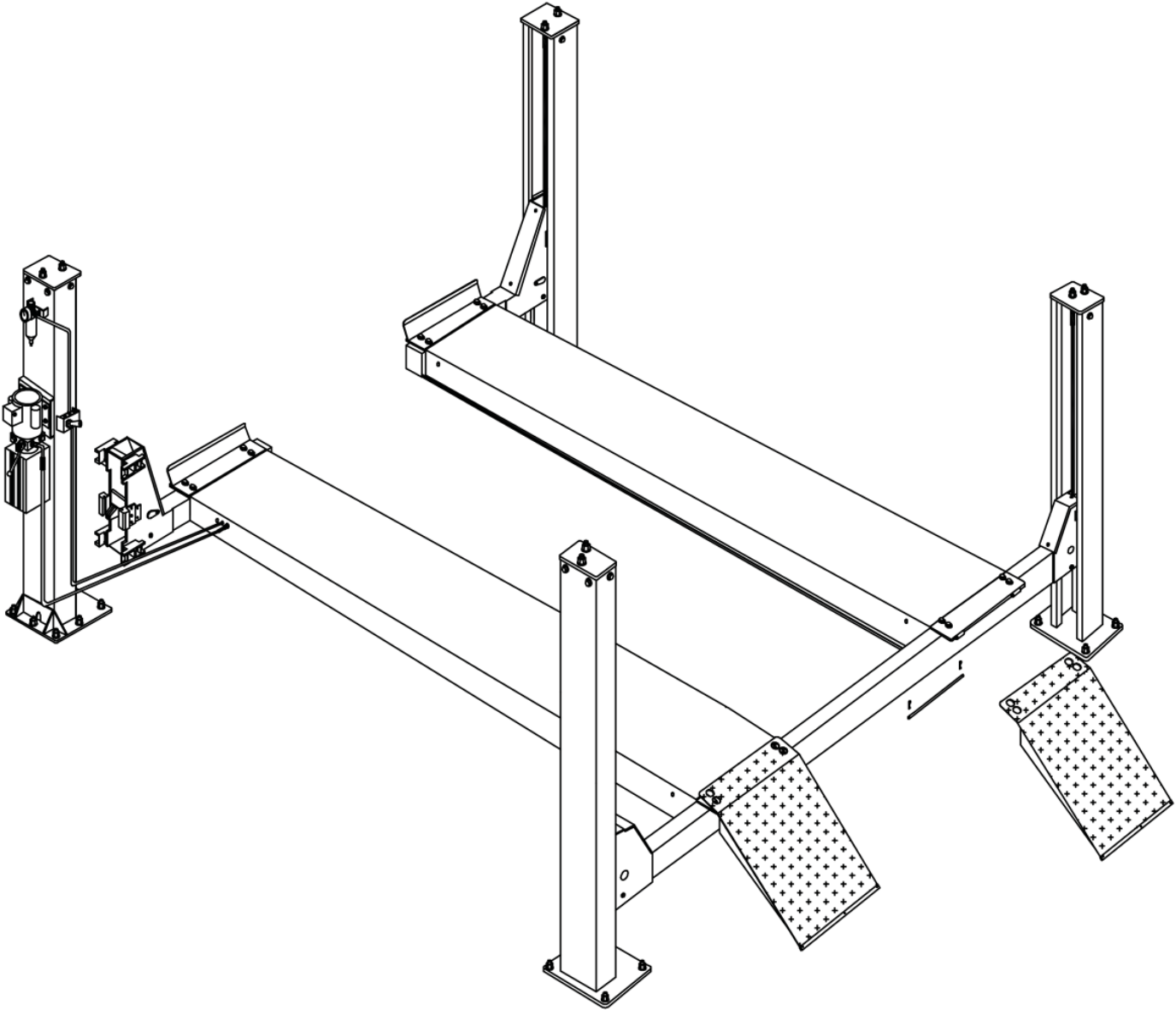
| | | | |
|----|----------------------------------|----|--|
| 25 | Pin chain | 4 | |
| 26 | Spring of sliding plate | 8 | |
| 27 | Wheel of sliding plate | 88 | |
| 28 | Limited washer of sliding plate | 4 | |
| 29 | Space bush of cable pulley | 1 | |
| 30 | Hexagon nipples M12*40 | 16 | |
| 31 | Screw M8*20 | 24 | |
| 32 | Sliding block | 8 | |
| 33 | Small sliding block | 16 | |
| 34 | Jump ring ϕ 12 | 8 | |
| 35 | Limited pin of cable | 4 | |
| 36 | Stop block | 8 | |
| 37 | Screw M6*15 | 16 | |
| 38 | Space bush for latch | 4 | |
| 39 | Shaft of latch | 4 | |
| 40 | Safety hook for latch(left) | 2 | |
| 41 | Safety hook for cable broken | 1 | |
| 42 | Limited wheel pin | 4 | |
| 43 | Limited wheel | 4 | |
| 44 | Flat washer ϕ 8 | 21 | |
| 45 | Spring washer ϕ 8 | 17 | |
| 46 | Pulley shaft | 4 | |
| 47 | Hexagon nipples M6*30 | 8 | |
| 48 | Air cylinder for latch | 4 | |
| 49 | quickly fitting for air cylinder | 4 | |
| 50 | Gasket | 4 | |
| 51 | "V" air fitting | 4 | |
| 52 | Nut M6 | 8 | |
| 53 | Pulley of the beam | 4 | |

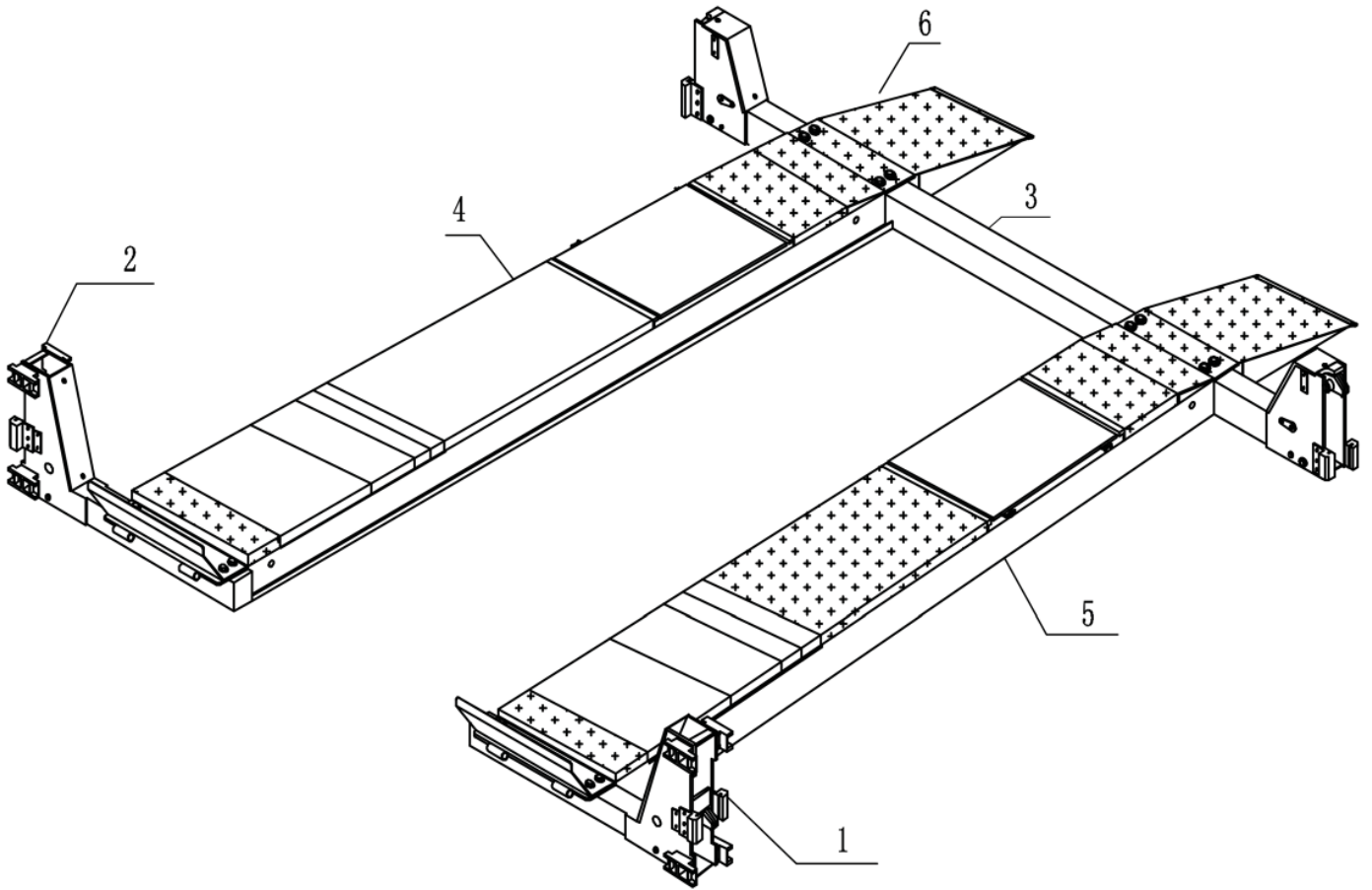
| | | | |
|----|------------------------------------|----|------------|
| 54 | Spacer bush | 4 | |
| 55 | Hexagon nipples M8*15 | 9 | |
| 56 | Flat washer φ40 | 18 | |
| 57 | Cover | 2 | |
| 58 | Spring washer φ6 | 10 | |
| 59 | Flat washer φ6 | 10 | |
| 60 | Spring for latch | 8 | |
| 61 | Grease fitting | 9 | M10*1 |
| 62 | latch | 1 | |
| 63 | Right latch | 2 | |
| 64 | Screw M6*12 | 8 | |
| 65 | Nut M8 | 8 | |
| 66 | Hexagon nipples M8*30 | 4 | |
| 67 | Handle valve | 1 | XG86522 |
| 68 | Air hose φ8 | 1 | PU8*5-800 |
| 69 | 9/16 Hydraulic hose | 1 | 9/16-2340 |
| 70 | Power unit | 1 | 23MPA-1.6 |
| 71 | Air hose φ8 | 1 | PU8*5-2600 |
| 72 | Oil water separation | 1 | AFR2000 |
| 73 | Column(slave, open side) | 1 | |
| 74 | Column(master, open side) | 1 | |
| 75 | Cotter pin | 5 | |
| 76 | Big nut of cylinder | 1 | M30 |
| 77 | Lock block of cable | 1 | |
| 78 | Pull block for raising | 1 | |
| 79 | Nylon sliding block of cylinder | 2 | |
| 80 | Screw M6*15 | 4 | |
| 81 | Column weldment(slave, close side) | 2 | |
| 82 | Cover plate for close, left column | 1 | |

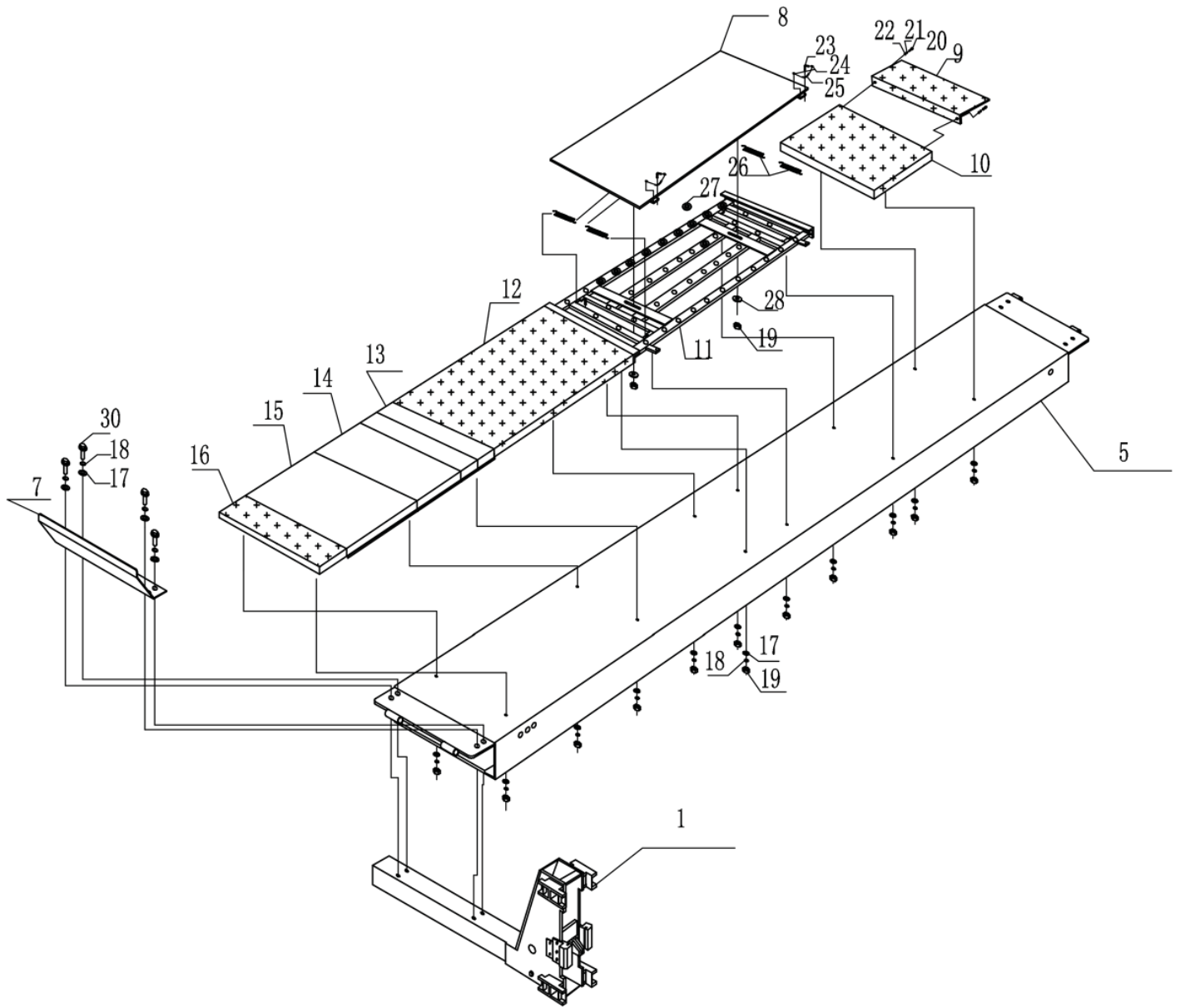
| | | | |
|-----|-------------------------------------|----|----------------------------|
| 83 | Cover plate for close, right column | 1 | |
| 84 | Cover plate for open side column | 1 | |
| 85 | Top cover for master column | 1 | |
| 86 | Nut M20 | 8 | |
| 87 | Nut M5 | 6 | |
| 88 | Yellow warning strip for ramp | 2 | |
| 89 | Screw M5*20 | 6 | |
| 90 | Flat washer ϕ 5 | 6 | |
| 91 | Pin for ramp | 2 | |
| 92 | Hydraulic cylinder | 1 | ϕ 90/ ϕ 100-1760 |
| 93 | Nut M12 | 18 | |
| 94 | Copper backing | 1 | |
| 95 | 9/16 Pipe fitting | 1 | |
| 96 | 9/16 nut | 1 | |
| 97 | Flat washer ϕ 14 | 1 | |
| 98 | 9/16 elbow fitting | 1 | |
| 99 | 9/16 hydraulic hose | 1 | 9/16-2020 |
| 100 | Explosion trap | 1 | |
| 101 | Copper backing | 1 | |
| 102 | 2G 3/8 Pipe fitting | 1 | |
| 103 | Cylinder support | 1 | |
| 104 | Hexagon nipples M12*30 | 20 | |
| 105 | Nut M18 | 8 | |
| 106 | Flat washer ϕ 18 | 8 | |
| 107 | Ladder for close side column | 2 | |
| 108 | Flat washer ϕ 20 | 8 | |
| 109 | Cable | 1 | L=5985 |
| 110 | Cable | 1 | L=4405 |
| 111 | Cable | 1 | L=11930 |

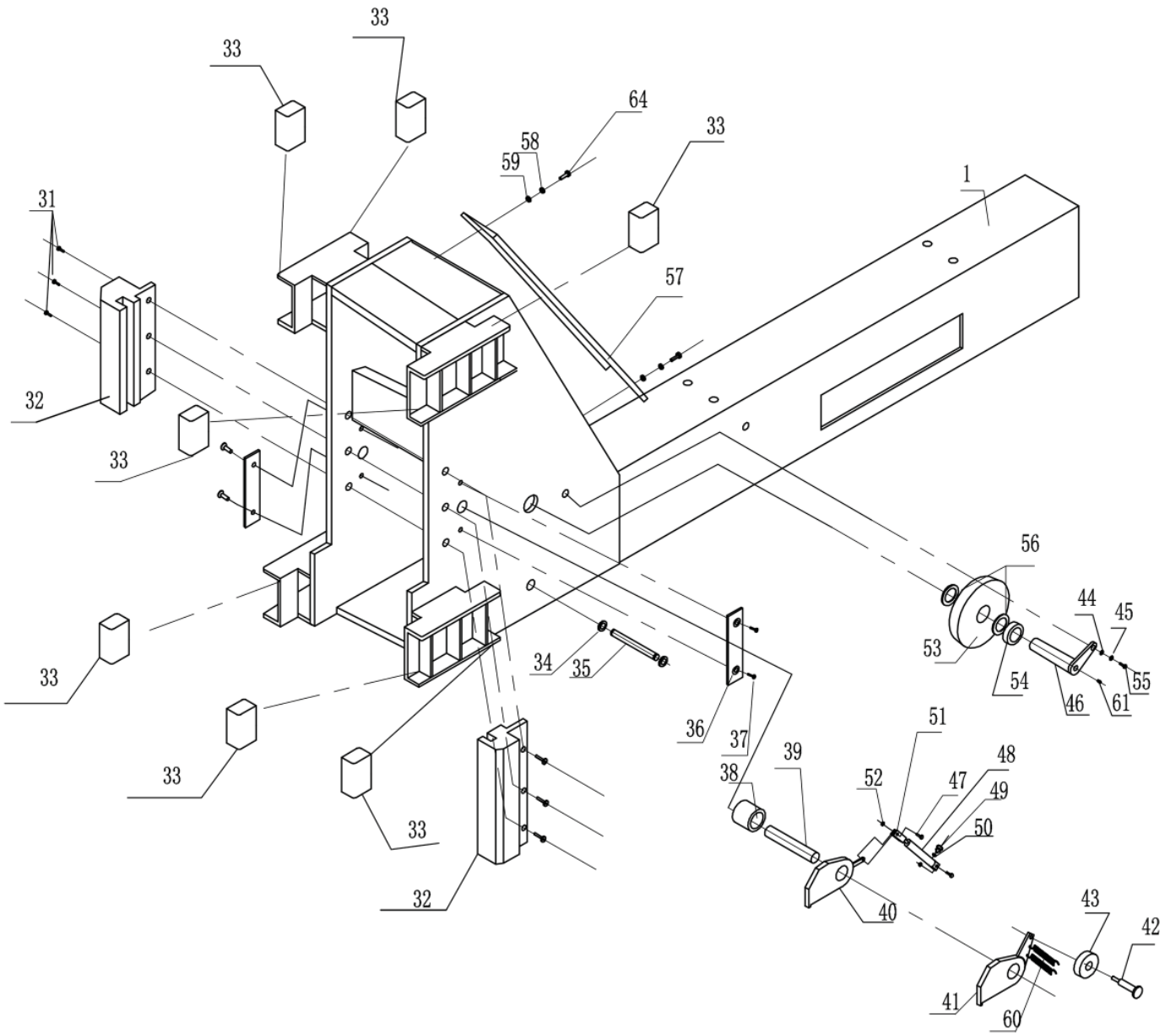
| | | | |
|-----|------------------------------|---|---------|
| 112 | Cable | 1 | L=10770 |
| 113 | Cover plate of close side | 2 | |
| 114 | Safety hook for Cable broken | 2 | |
| 115 | Pulley shaft | 1 | |
| 116 | Space bush | 1 | |
| 117 | Pulley under the runway | 8 | |
| 118 | Spacer bush | 3 | |
| 119 | Spacer bush | 3 | |
| 120 | Pulley shaft | 3 | |
| 121 | Hexagon screw M10*40 | 2 | |
| 122 | Hexagon screw M10*20 | 1 | |
| 123 | Spacer bush of salve runway | 1 | |
| 124 | Spacer bush of salve runway | 1 | |
| 125 | Pulley shaft | 1 | |
| 126 | Nut of handle valve | 1 | |
| 127 | Air hose $\phi 8$ | 1 | PU8*5 |
| 128 | Air hose $\phi 8$ | 1 | PU8*5 |
| 129 | Air hose $\phi 8$ | 1 | PU8*5 |
| 130 | Air hose $\phi 8$ | 3 | YPU8 |
| 131 | Air hose $\phi 8$ | 1 | PU8*5 |
| 132 | Air hose $\phi 8$ | 1 | PU8*5 |
| 133 | Air hose $\phi 8$ | 1 | PU8*5 |
| 134 | Air hose $\phi 8$ | 3 | YPE8 |
| 135 | Air hose $\phi 8$ | 1 | PU8*5 |
| 136 | Ladder for open side column | 2 | |

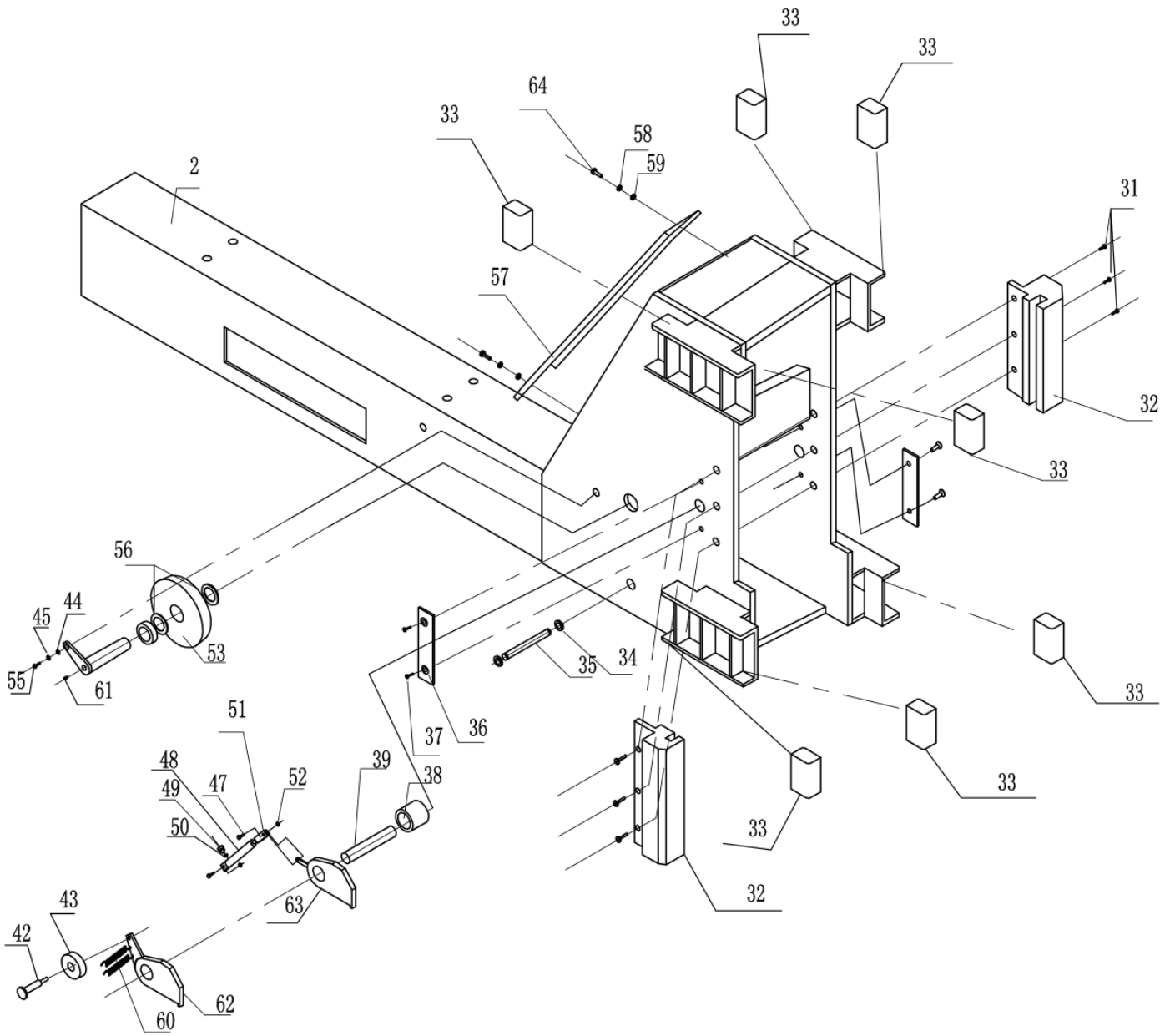


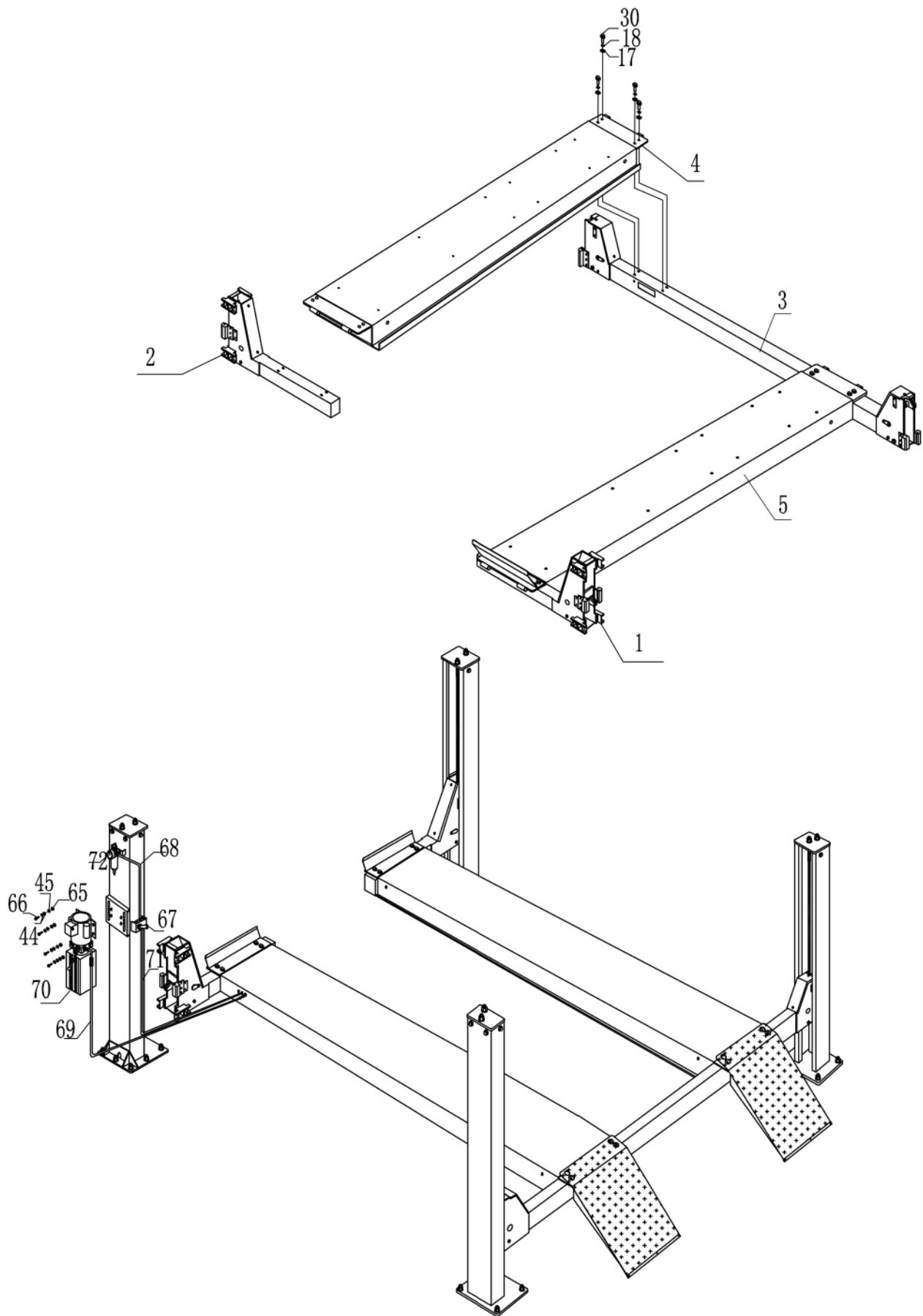


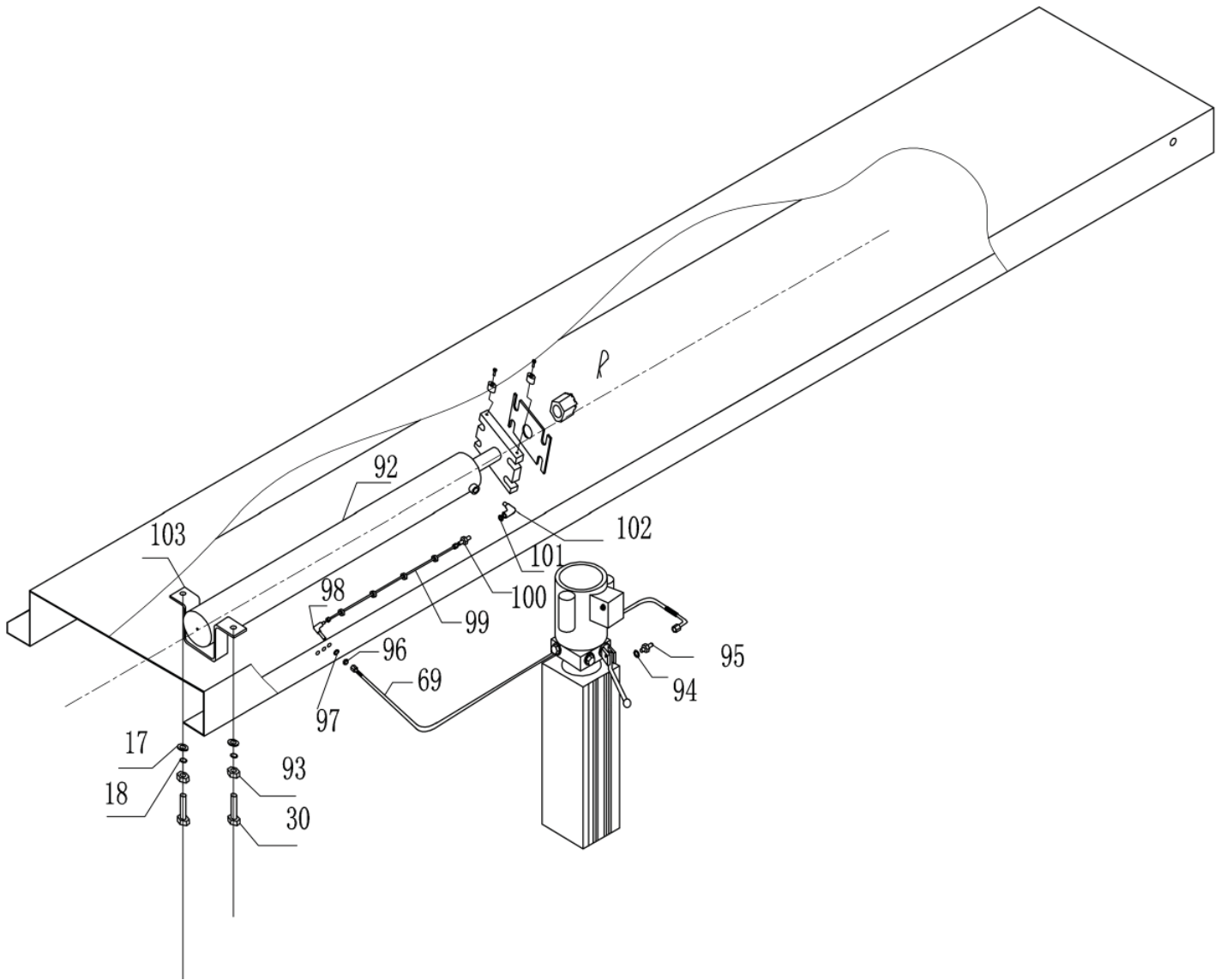


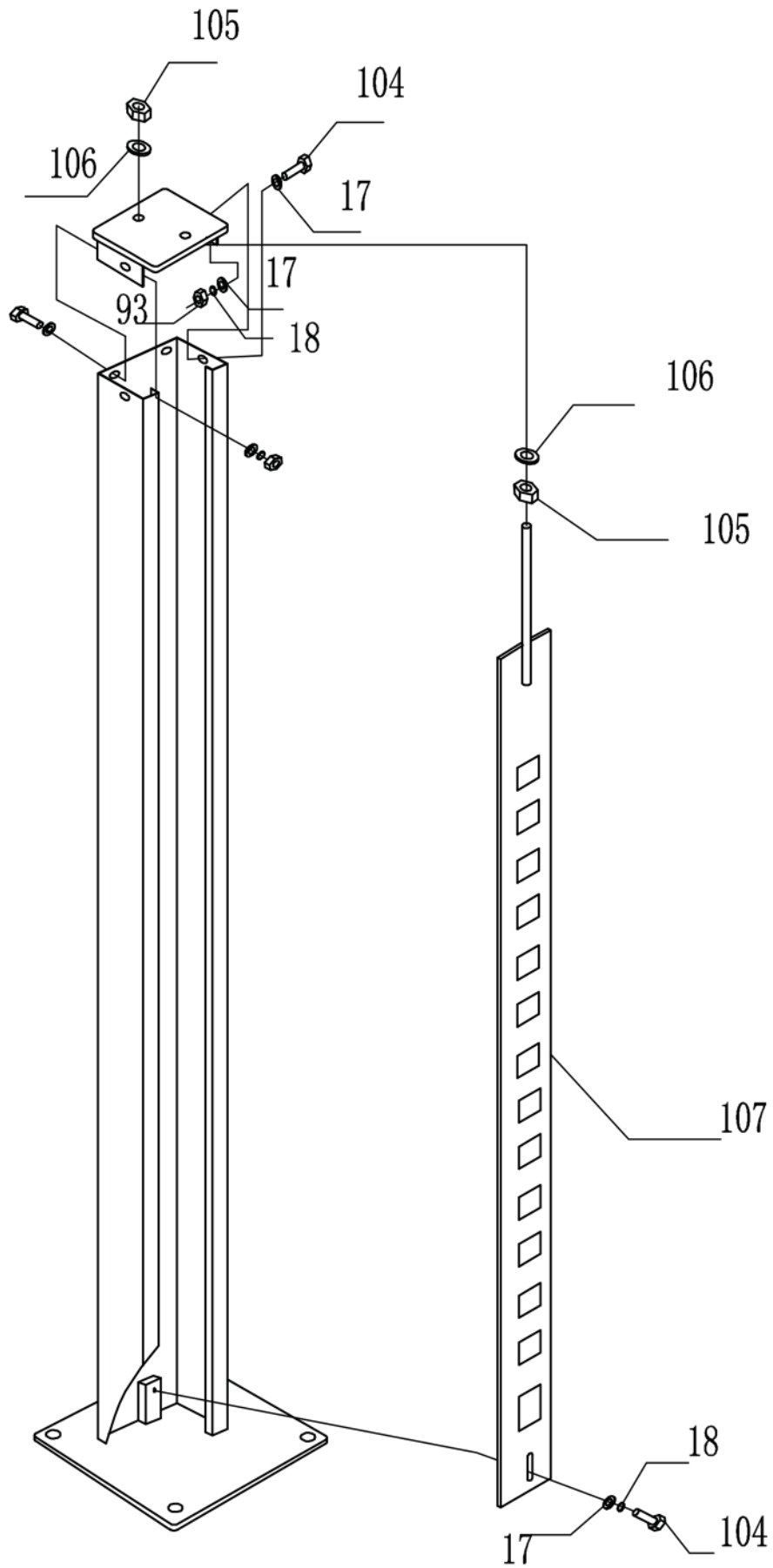


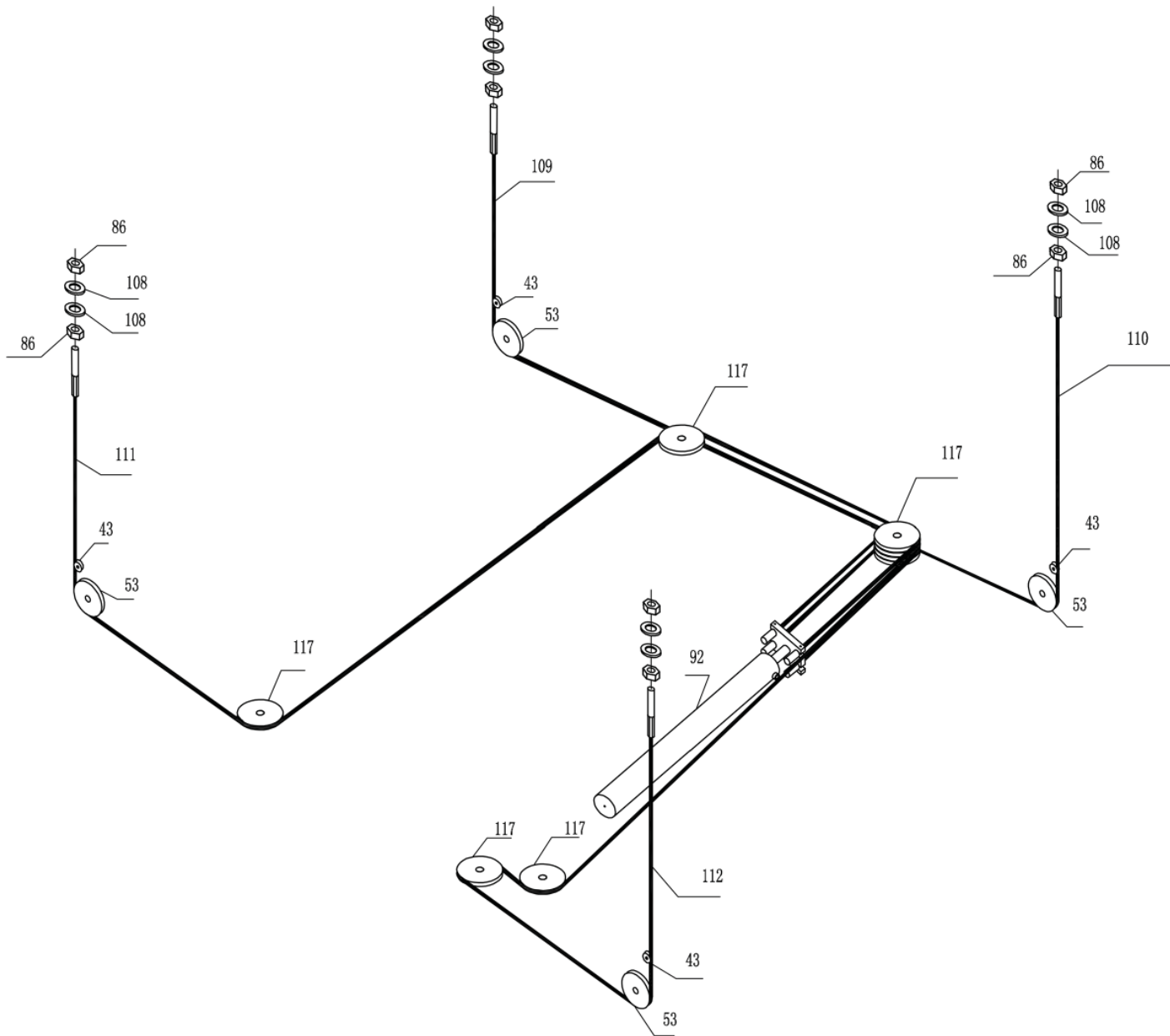


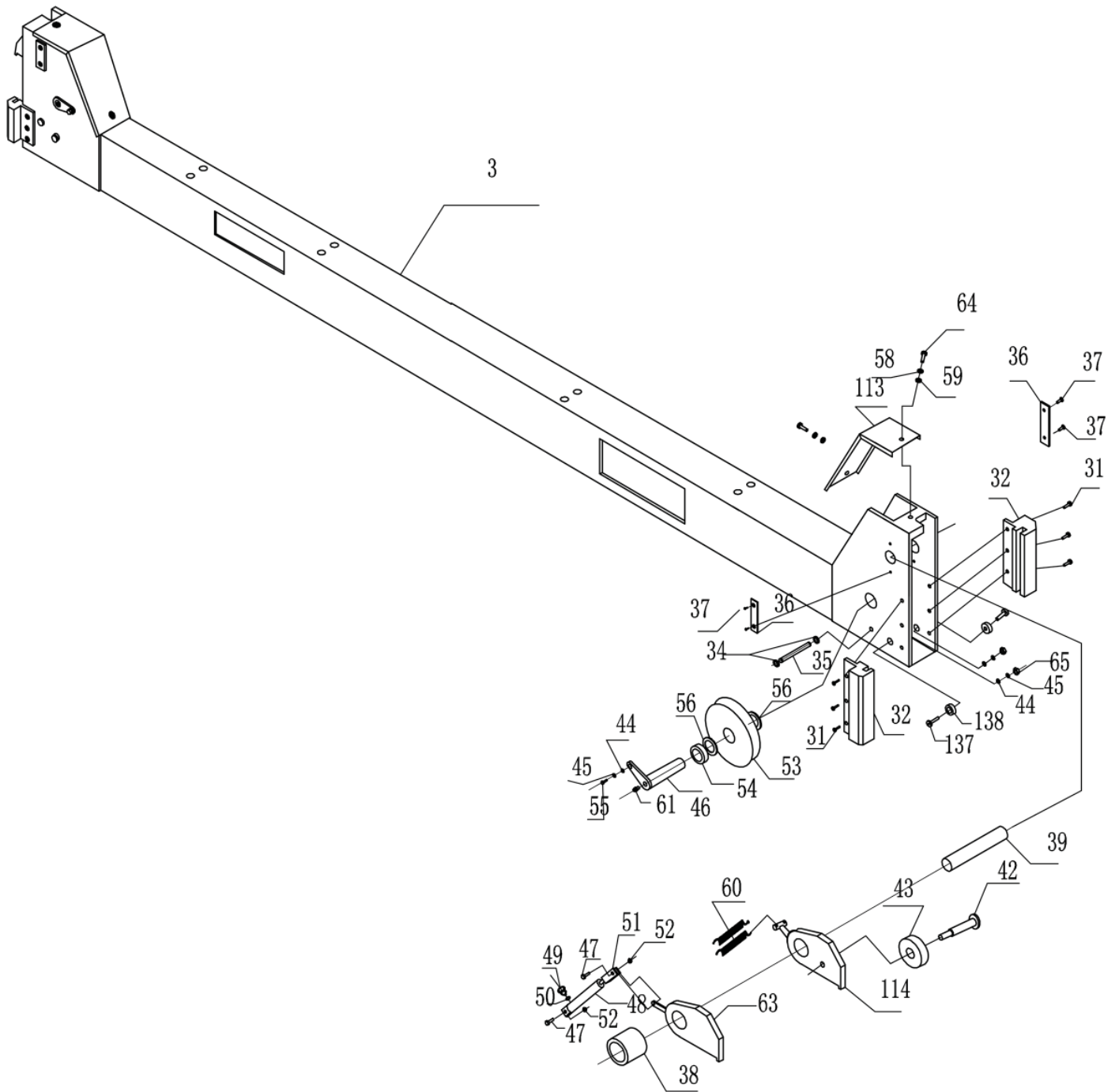


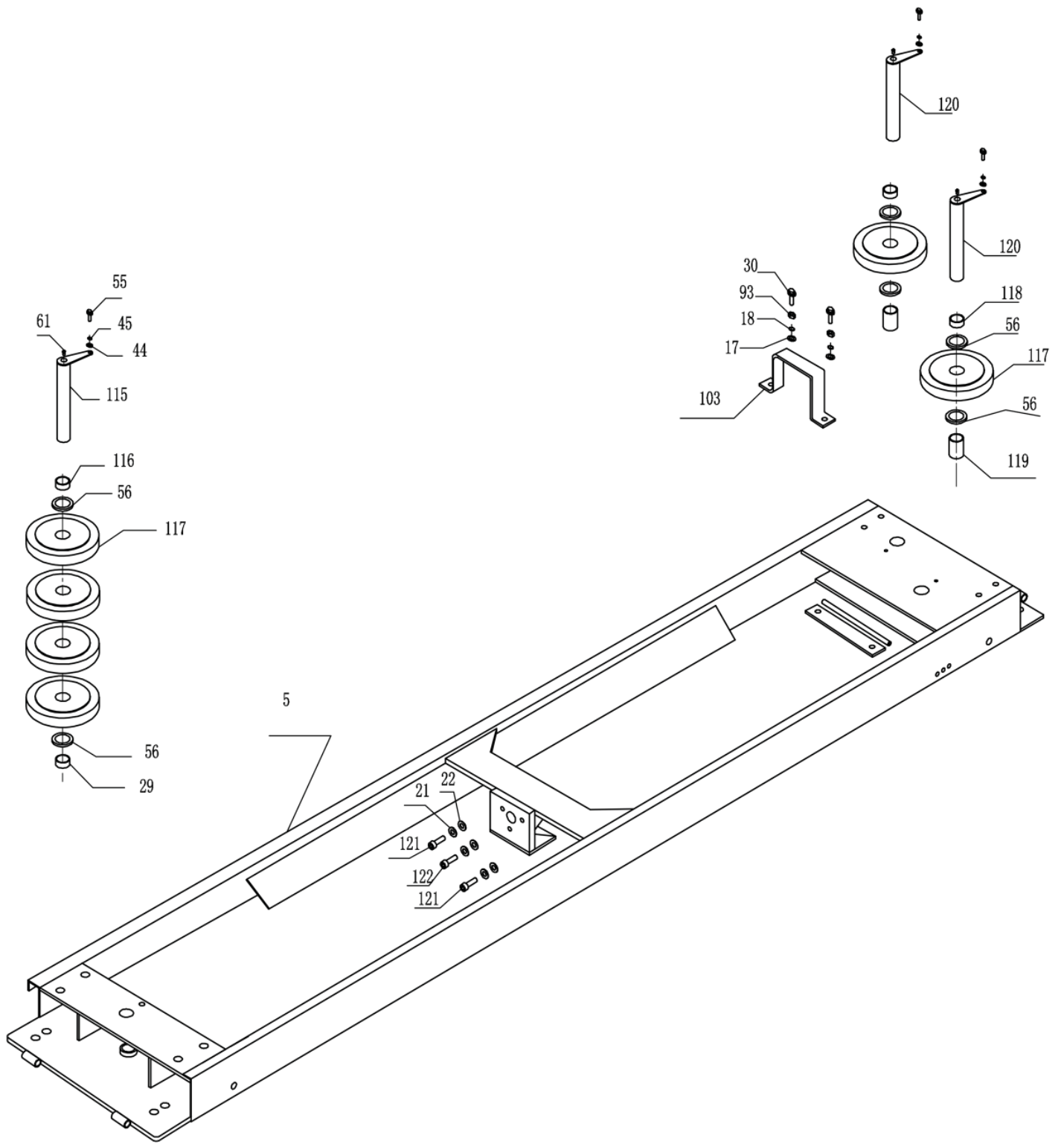


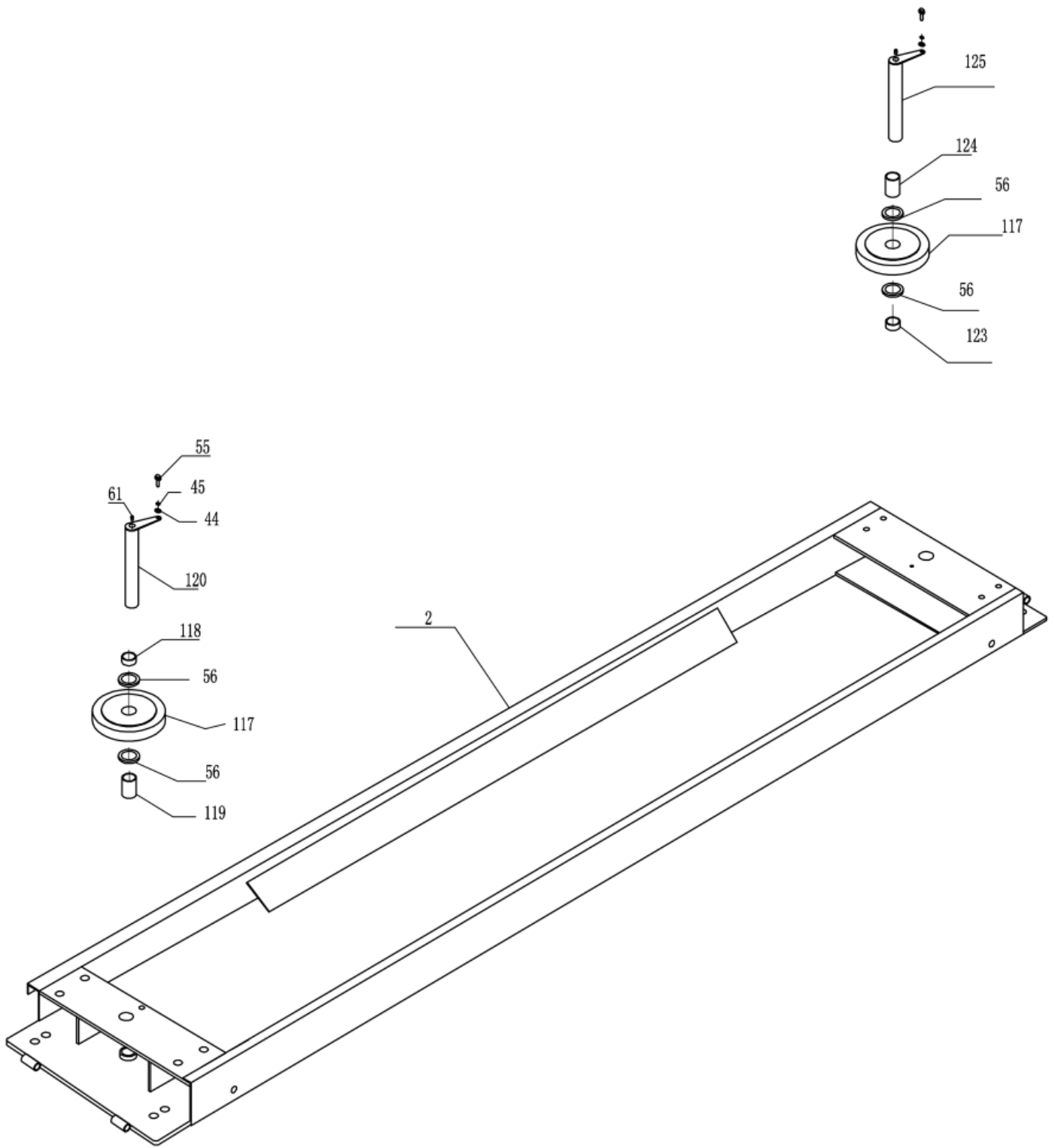


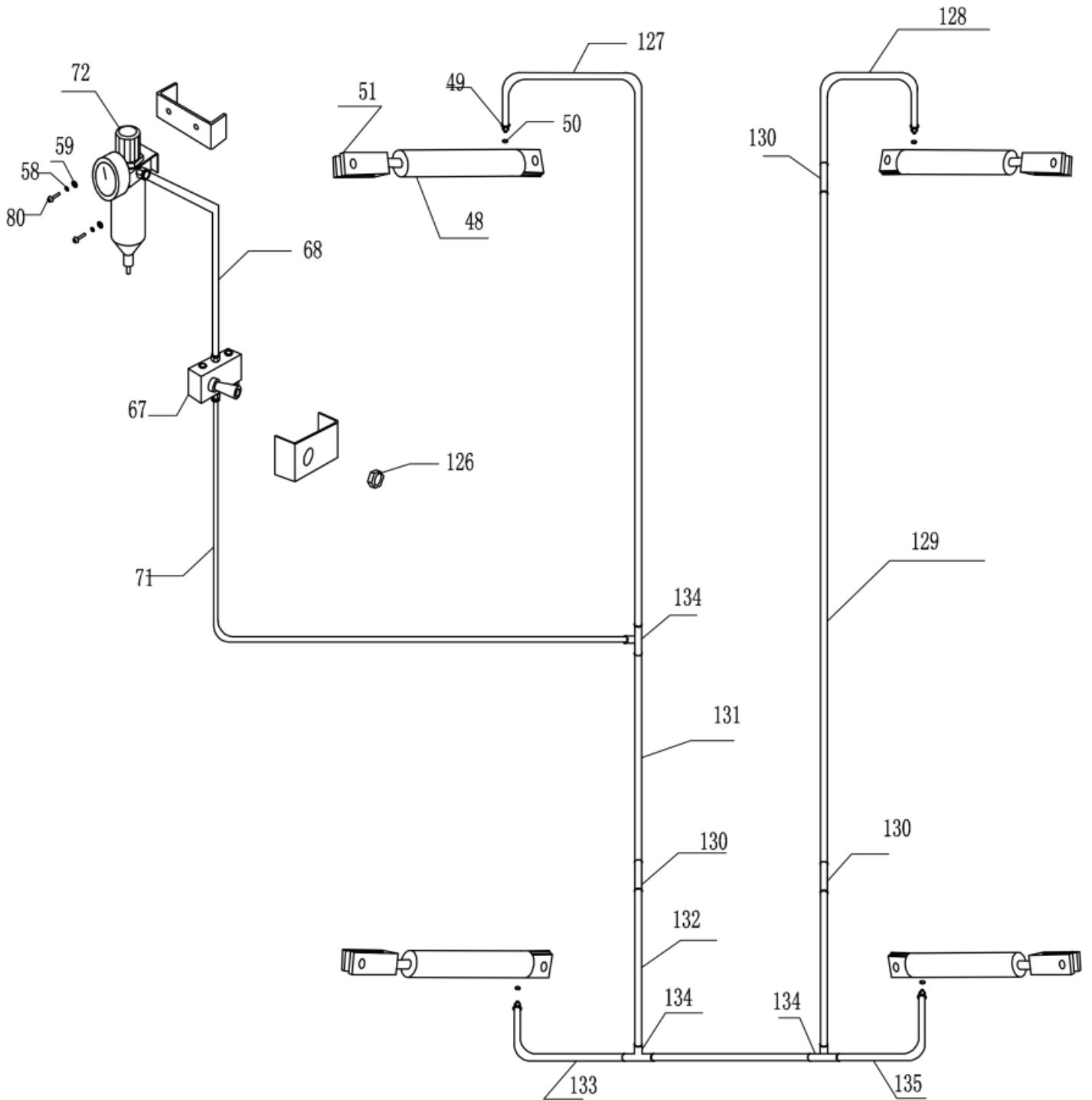


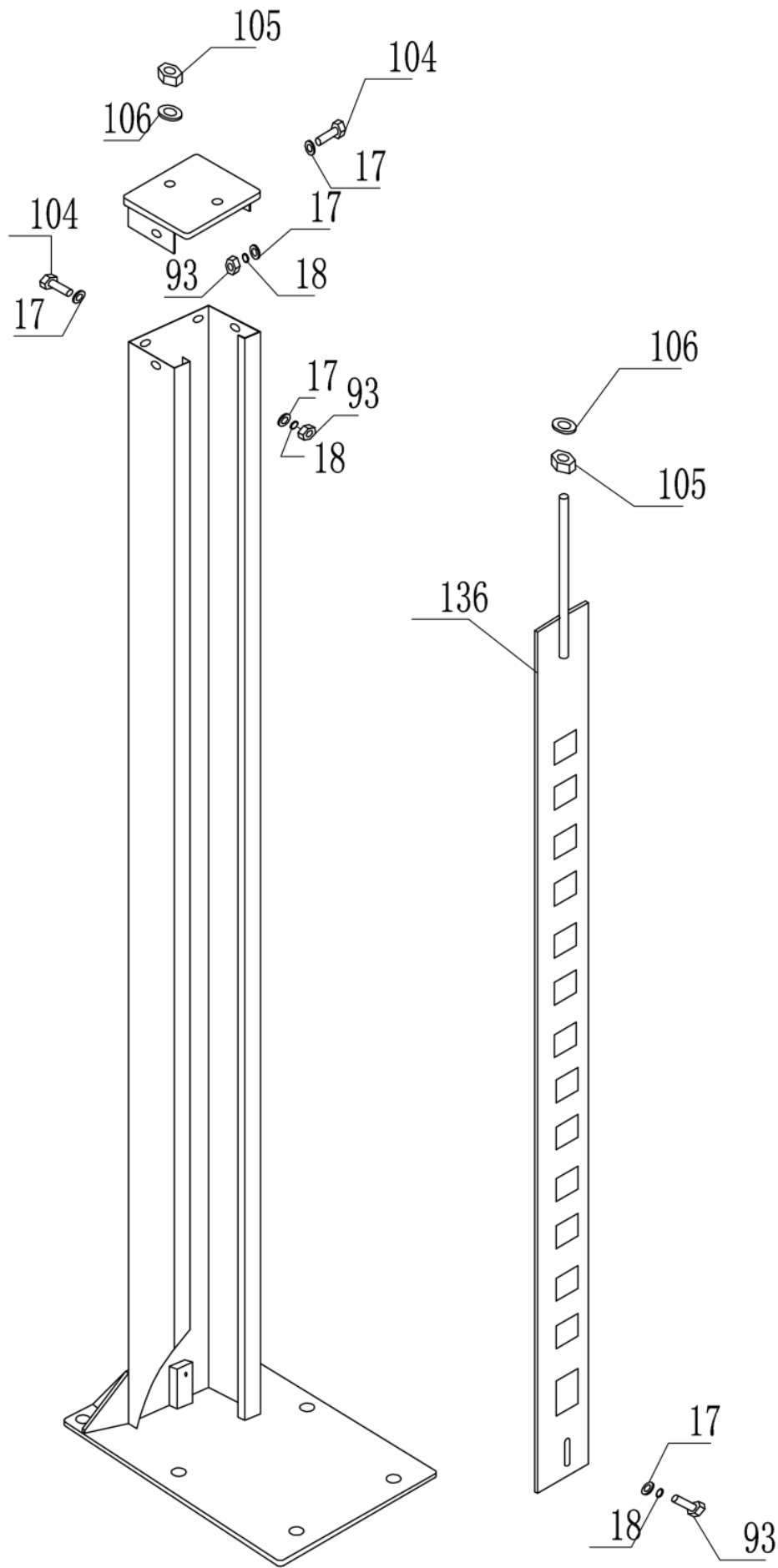












Warranty



This item is warranted for two (2) years on structural components and one (1) year on air or electric hydraulic power units, pneumatic power units, cylinders and major components from date of invoice. Wear items are covered by a 90 day warranty.

This LIMITED warranty policy does **not include a labor** warranty.

NOTE: ALL WARRANTY CLAIMS MUST BE PRE-APPROVED BY THE MANUFACTURER TO BE VALID.

The Manufacturer shall repair or replace at their option for this period those parts returned to the factory freight prepaid, which prove after inspection to be defective. This warranty will not apply unless the product is installed, used and maintained in accordance with the Manufacturers installation, operation and maintenance instructions.

This warranty applies to the ORIGINAL purchaser only, and is non-transferable. The warranty covers the products to be free of defects in material and workmanship but, does not cover normal maintenance or adjustments, damage or malfunction caused by: improper handling, installation, abuse, misuse, negligence, carelessness of operation or normal wear and tear. In addition, this warranty does not cover equipment when repairs or alterations have been made or attempted to the Manufacturer's products.

THIS WARRANTY IS EXCLUSIVE AND IS LIEU OF ALL OTHER WARRANTIES EXPRESSED OR IMPLIED INCLUDING ANY IMPLIED WARRANTY OR MERCHANTABILITY OR ANY IMPLIED WARRANTY OF FITNESS FROM A PARTICULAR PURPOSE, AND ALL SUCH IMPLIED WARRANTIES ARE EXPRESSLY EXCLUDED.

THE REMEDIES DESCRIBED ARE EXCLUSIVE AND IN NO EVENT SHALL THE MANUFACTURER, NOR ANY SALES AGENT OR OTHER COMPANY AFFILIATED WITH IT OR THEM, BE LIABLE FOR SPECIAL CONSEQUENTIAL OR INCIDENTAL DAMAGES FOR THE BREACH OF OR DELAY IN PERFORMANCE OF THIS WARRANTY. THIS INCLUDES, BUT IS NOT LIMITED TO, LOSS OF PROFIT, RENTAL OR SUBSTITUTE EQUIPMENT OR OTHER COMMERCIAL LOSS.

PRICES: Prices and specifications are subject to change without notice. All orders will be invoiced at prices prevailing at time of shipment. Prices do not include any local, state or federal taxes.

RETURNS: Products may not be returned without prior written approval from the Manufacturer.

DUE TO THE COMPETITIVENESS OF THE SELLING PRICE OF THESE LIFTS, THIS WARRANTY POLICY WILL BE STRICTLY ADMINISTERED AND ADHERED TO.