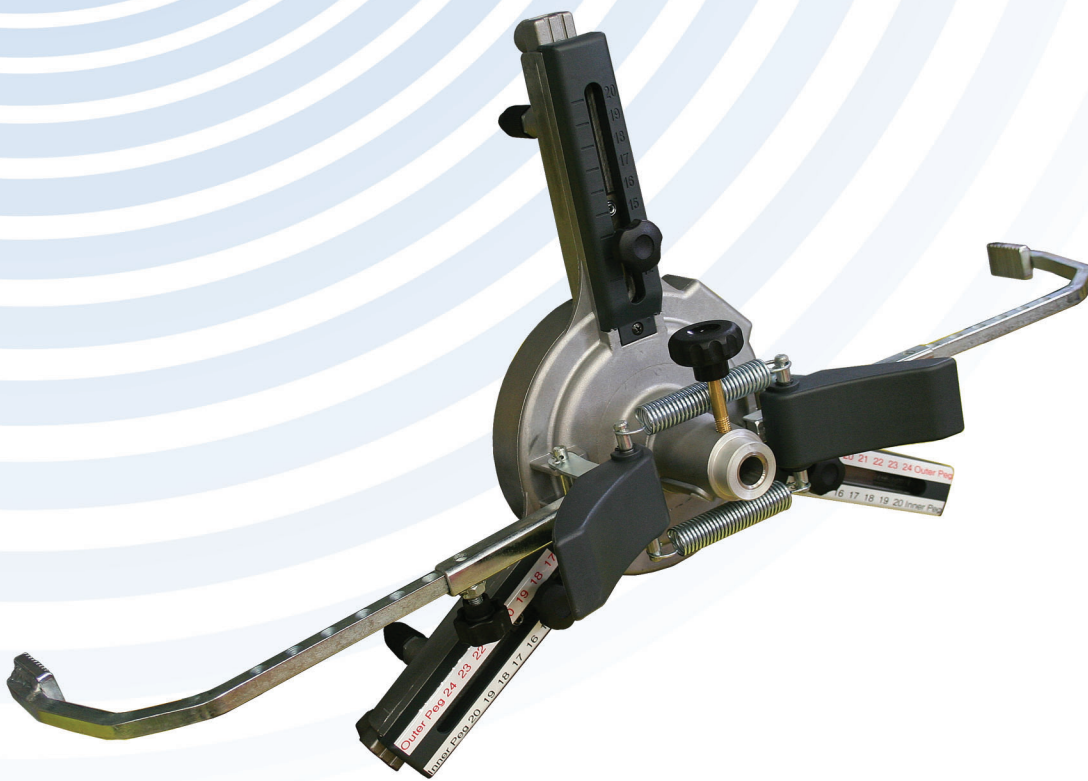




Three Point **FAST CLAMP** For Alignment Machines

ASSEMBLY GUIDE



INDIANA

5800 MASSACHUSETTS AVE.
INDIANAPOLIS, IN 46218

PHONE: (800) 262-1950
FAX: (317) 542-1448

DELAWARE

250 EXECUTIVE DRIVE, SUITE 1
NEWARK, DE 19702

PHONE: (800) 715-1950
FAX: (302) 894-9136

GEORGIA

2375 BUTTON GWINNETT DR., SUITE 100
ATLANTA, GA 30340

PHONE: (800) 768-4104
FAX: (678) 781-0149

ARIZONA

8399 W VAN BUREN ST., SUITE 210
TOLLESON, AZ 85353

PHONE: (800) 602-9928
FAX: (602) 490-3495

NEW HAMPSHIRE

8 INDUSTRIAL DRIVE
HUDSON, NH 03051

PHONE: (800) 360-0053

FLORIDA

11801 NW 100th RD., SUITE 8
MEDLEY, FL 33178

PHONE: (800) 305-5609

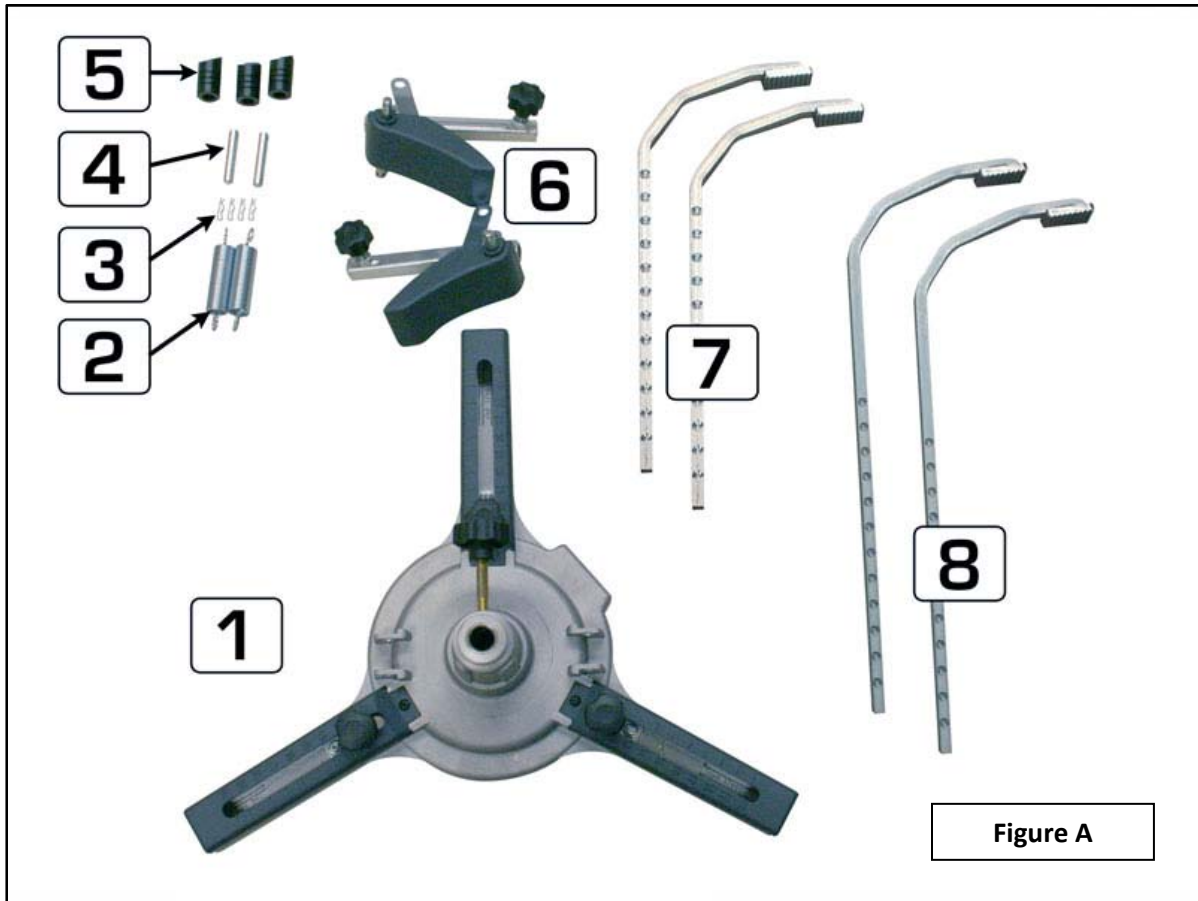
TEXAS

3206 INDUSTRIAL TERRACE, SUITE 102
AUSTIN, TX 78758

PHONE: (800) 512-7611



ATLAS FAST CLAMP 3 POINT CLAMP



Before the installation, separate the parts to ensure that all components are included.
See (Figure A)



Parts List

Part 1: Three Point Fast Clamp Base

Part 2: 2x Arm Springs

Part 3: 4x Pin Locking Clips

Part 4: 2x Arm Support Pins

Part 5: 3x Plastic Clamp Point Covers

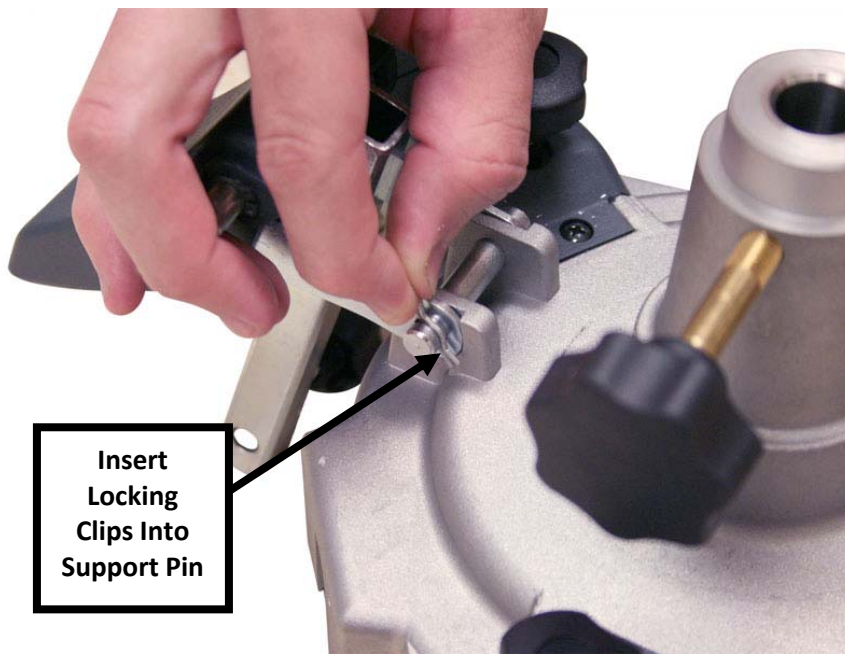
Part 6: 2x Arm Guides/Clamp Handles

Part 7: 2x Fast Clamp Arms

Part 8: 2x Extended Fast Clamp Arms

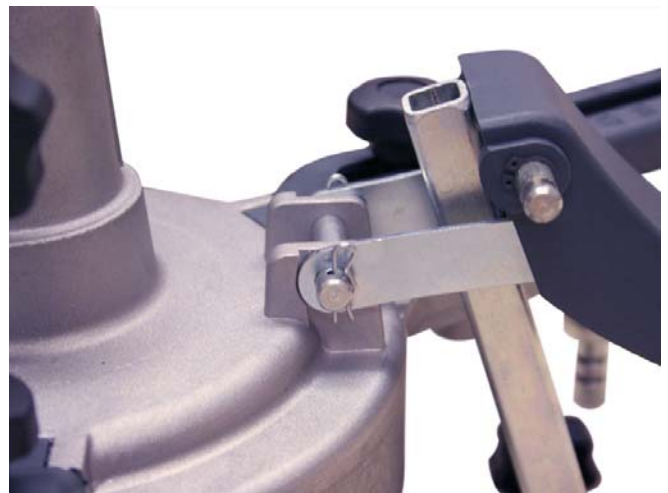
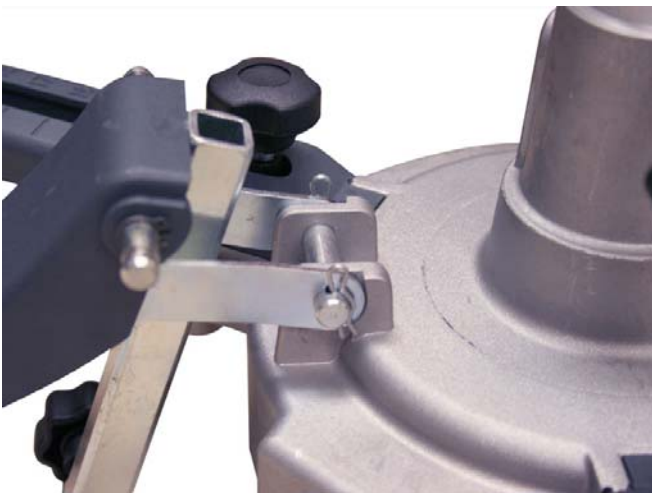


Locate one of the Arm Support Pins (**Part 4**) and fit it through the holes of the Clamp Handles (**Part 6**) and Fast Clamp Base (**Part 1**) as shown and lock the Support Pin into place using 2 of the Pin Locking Clips (**Part 3**)





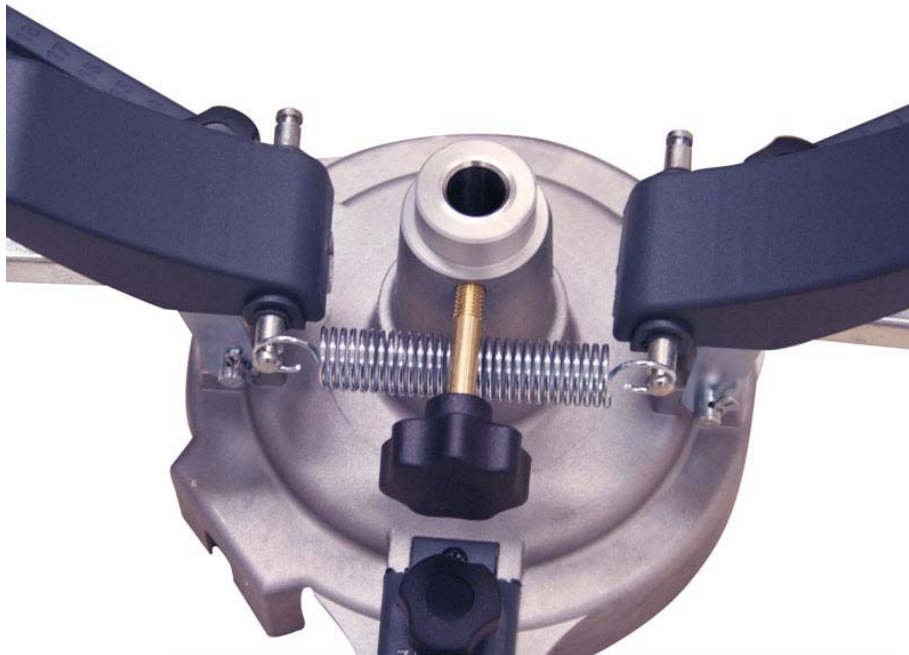
Use the second Arm Support Pin (**Part 4**) and fit it through the holes of the Clamp Handles (**Part 6**) and Fast Clamp Base (**Part 1**) on the opposite side of the clamp as shown and lock the Support Pin into place using 2 of the Pin Locking Clips (**Part 3**)

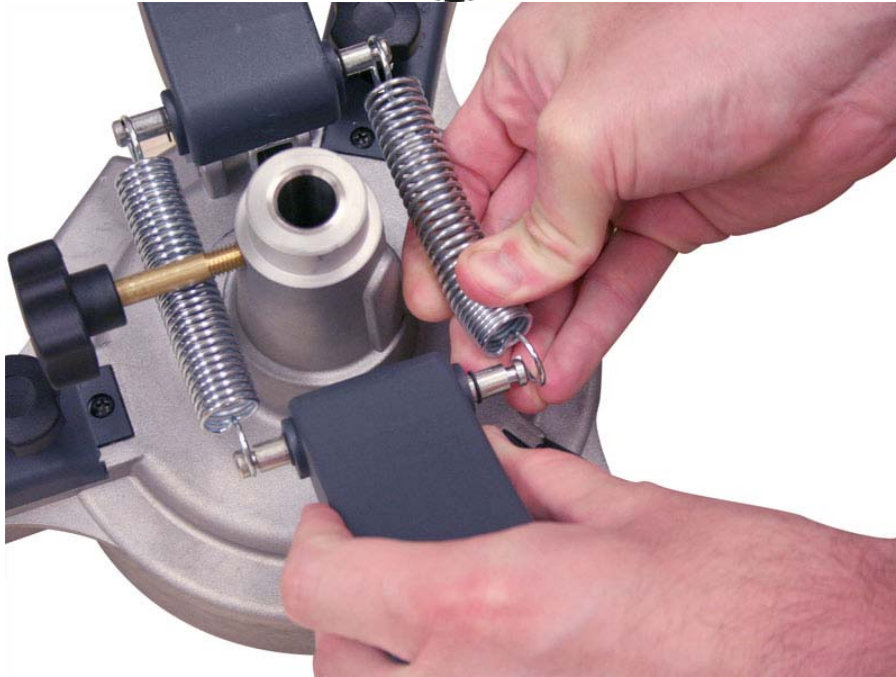


Both of the Fast Clamp Handles (**Part 6**) should now be securely fastened to the Fast Clamp Base. (**Part 1**)

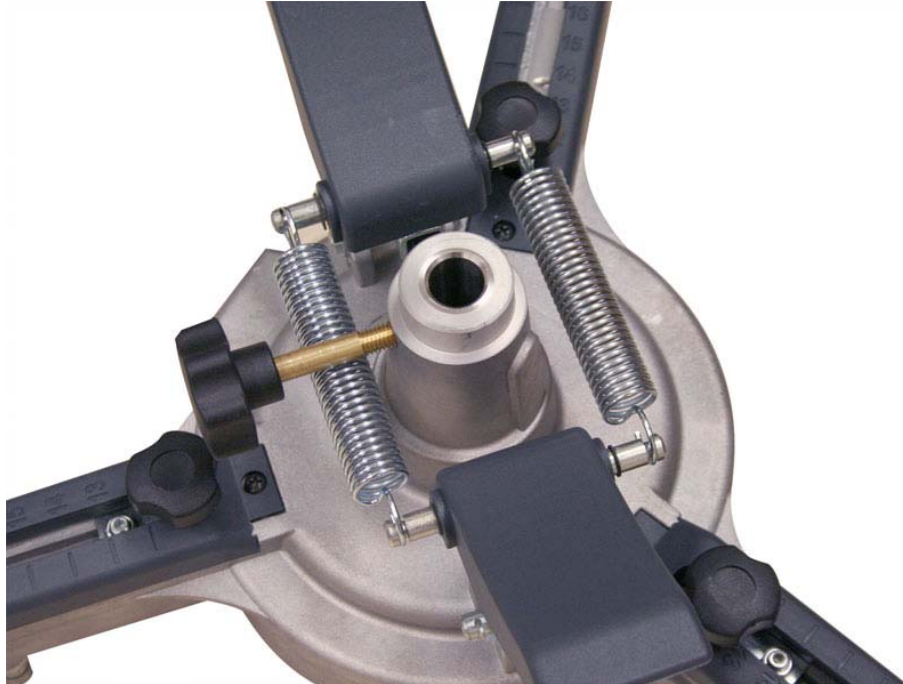


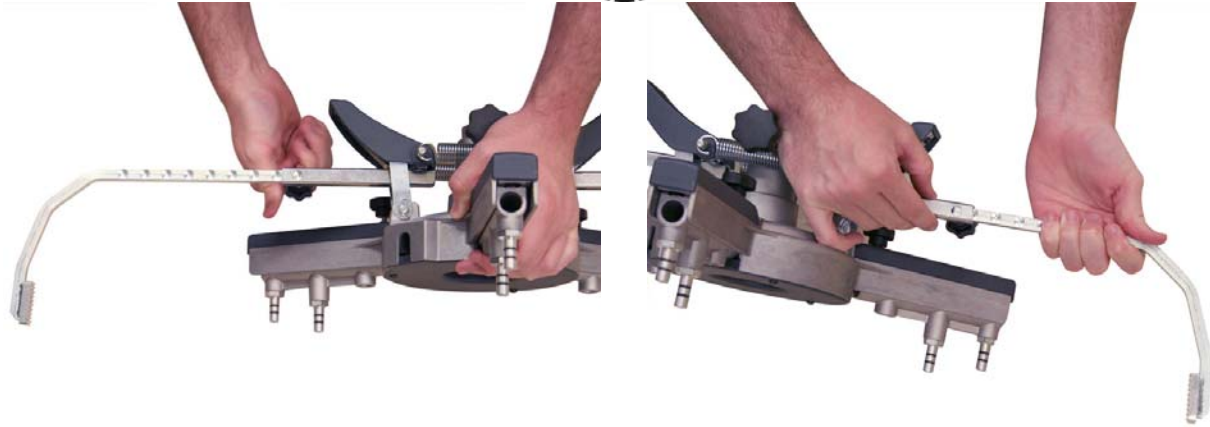
Attach the first Arm Spring (**Part 2**) to the notched pins located at the top of the clamp handles as shown. (**Part 6**)





Attach the second Arm Spring (**Part 2**) to the other side of the notched pins located at the top of the clamp handles as shown. (**Part 6**)

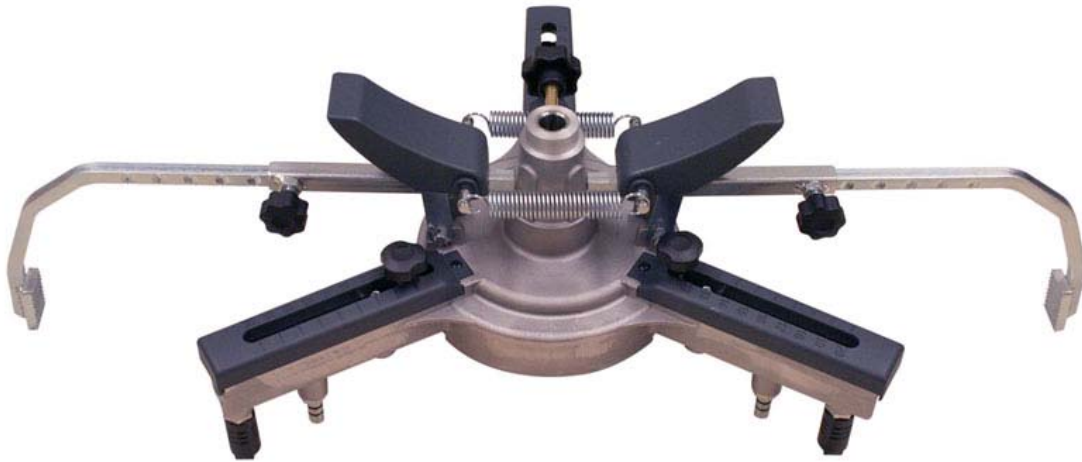




Insert the Fast Clamp Arms (**Part 7**) into the arm guides (**Part 6**) as shown.



Attach the 3 plastic point covers (**Part 5**) onto the clamp points located on the Fast Clamp Base. (**Part 1**)



YOUR FAST CLAMP 3 POINT CLAMP IS NOW FULLY
ASSEMBLED FOR USE WITH YOUR
ALIGNMENT MACHINE

