



# **Atlas AEZWL**

## **180 lb. Capacity**

### **Pneumatic Portable Wheel Lift**



**Atlas Automotive Equipment**  
[www.atlasautoequipment.com](http://www.atlasautoequipment.com)  
**(866) 898-2604**

## CONTENTS

<b>1</b>	<b>GENERAL INFORMATION</b>	<b>3</b>
<b>2</b>	<b>PRODUCT DESCRIPTION</b>	<b>4</b>
<b>3</b>	<b>INSTALLATION</b>	<b>6</b>
<b>4</b>	<b>OPERATION AND USE</b>	<b>9</b>
<b>5</b>	<b>MAINTENANCE</b>	<b>10</b>
<b>6</b>	<b>TROUBLESHOOTING</b>	<b>11</b>

## **CHAPTER 1 – GENERAL INFORMATION**

This manual has been written to be used by shop technicians in charge (operator).

The operating instructions are considered to be an integral part of the machine and must remain with it for its whole useful life.

Read every section of this manual carefully before operating the lift.

The company is not liable for possible problems, damage, accidents, etc. resulting from failure to follow the instructions contained in this manual.

Only skilled technicians shall be allowed to carry out lifting, transport, assembling, installation, adjustment, calibration, settings, extraordinary maintenance, repairs, overhauling and dismantling of the lift.

**THE MANUFACTURER IS NOT RESPONSIBLE FOR POSSIBLE DAMAGE TO PEOPLE OR OBJECTS IF SAID OPERATIONS ARE CARRIED OUT BY UNAUTHORIZED PERSONNEL OR THE LIFT IS IMPROPERLY USED.**

Any use of the lift made by operators who are not familiar with the instructions and procedures contained herein shall be forbidden.

For a proper use of this manual, the following is recommended:

- keep the manual near the lift, in an easily accessible place.
- keep the manual in an area protected from the damp.
- use this manual properly without damaging it.
- Any use of the machine made by operators who are not familiar with the instructions and procedures contained herein shall be forbidden.

This manual is an integral part of the lift: it shall be given to the new owner if and when the lift is resold.

Operators must not be under the influence of sedatives, drugs or alcohol when operating the machine.

### **DECLARATION OF WARRANTY AND LIMITATION OF LIABILITY**

The manufacturer has paid proper attention to the preparation of this manual. However, nothing contained herein modifies or alters, in any way, the terms and conditions of manufacturer agreement by which this lift was acquired, nor increase, in any way, manufacturer's liability to the customer.

### **TO THE READER**

Every effort has been made to ensure that the information contained in this manual is correct, complete and up-to date. The manufacturer is not liable for any mistakes made when drawing up this manual and reserves the right to make any changes due the development of the product, at any time.

## CHAPTER 2 - DESCRIPTION

### 2.1 DESCRIPTION (Ref. Figure 1)

This pneumatic mobile lift is suitable for lifting motor wheel having maximum weight 80 kg / 176 lbs.

All mechanical parts such as columns, carriages and lift arms have been built in steel plate to make the frame stiff and strong while keeping a low weight.

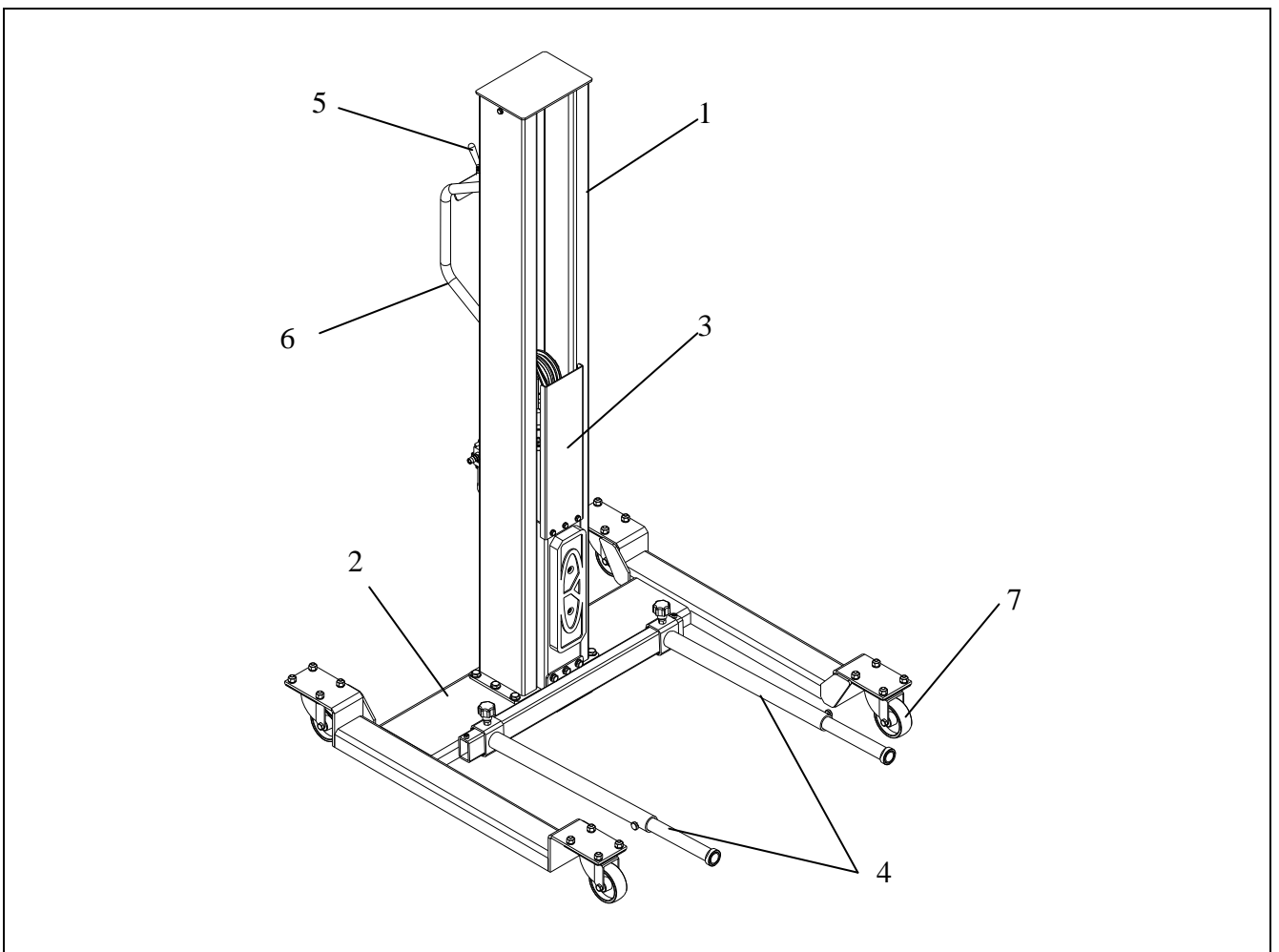
The operation is described in detail in chapter 4.

This chapter describes the lift's principal elements, allowing the user to be familiar with the machine. As shown in figure 1, the lift is composed of a single post (1) fixed on the base (2), a carriage (3) driven through a chain by a pneumatic cylinder built inside the post, two arms (4) fixed on the carriage with the adjustable extension to accommodate the different wheel widths.

Raising/lowering motion is carried out by operation of a pneumatic switch (5) placed on the rear side of the post.

With the handle (6) and four universal castors (7), the lift can be moved in any direction easily.

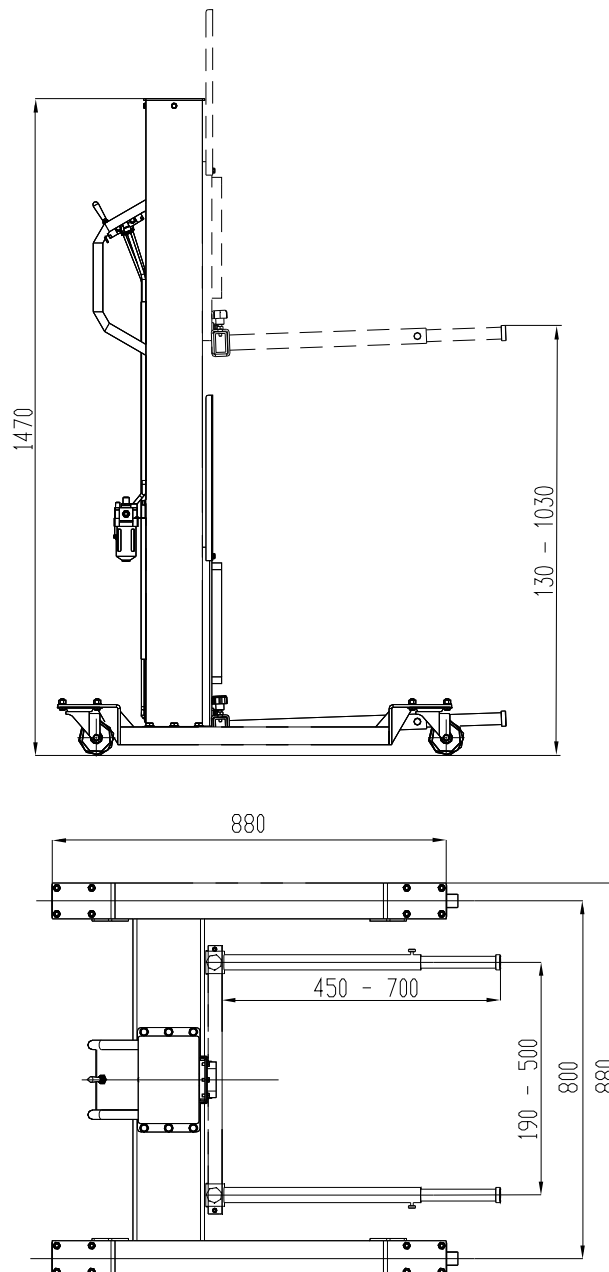
Figure 1



## 2.2 SPECIFICATION (Ref. Figure 2)

<b>Lifting capacity</b>	<b>80 kg / 180 lbs</b>
Max. lifting height	1030 mm
Min. lifting height	130 mm
Arm length	450 – 700 mm adjustable
Distance between two arms	190 – 500 mm adjustable
Overall height	1470 mm
Required compressed air pressure	8bar – 10bar
Weight	71kg
Packing dimension	1470(L) x 400(W) x 440(H)

Figure 3 - LAYOUT



## CHAPTER 3 – INSTALLATION

### 3.1 PARTS ASSEMBLY

- Remove the components and the installation accessories from the package;
- Check that the lift is in perfect condition, making sure that no parts are damaged or missing referring to the exploded drawings attached to this manual;
- Assemble the lift referring to the exploded drawings;
- Make sure all screws are tightened properly.

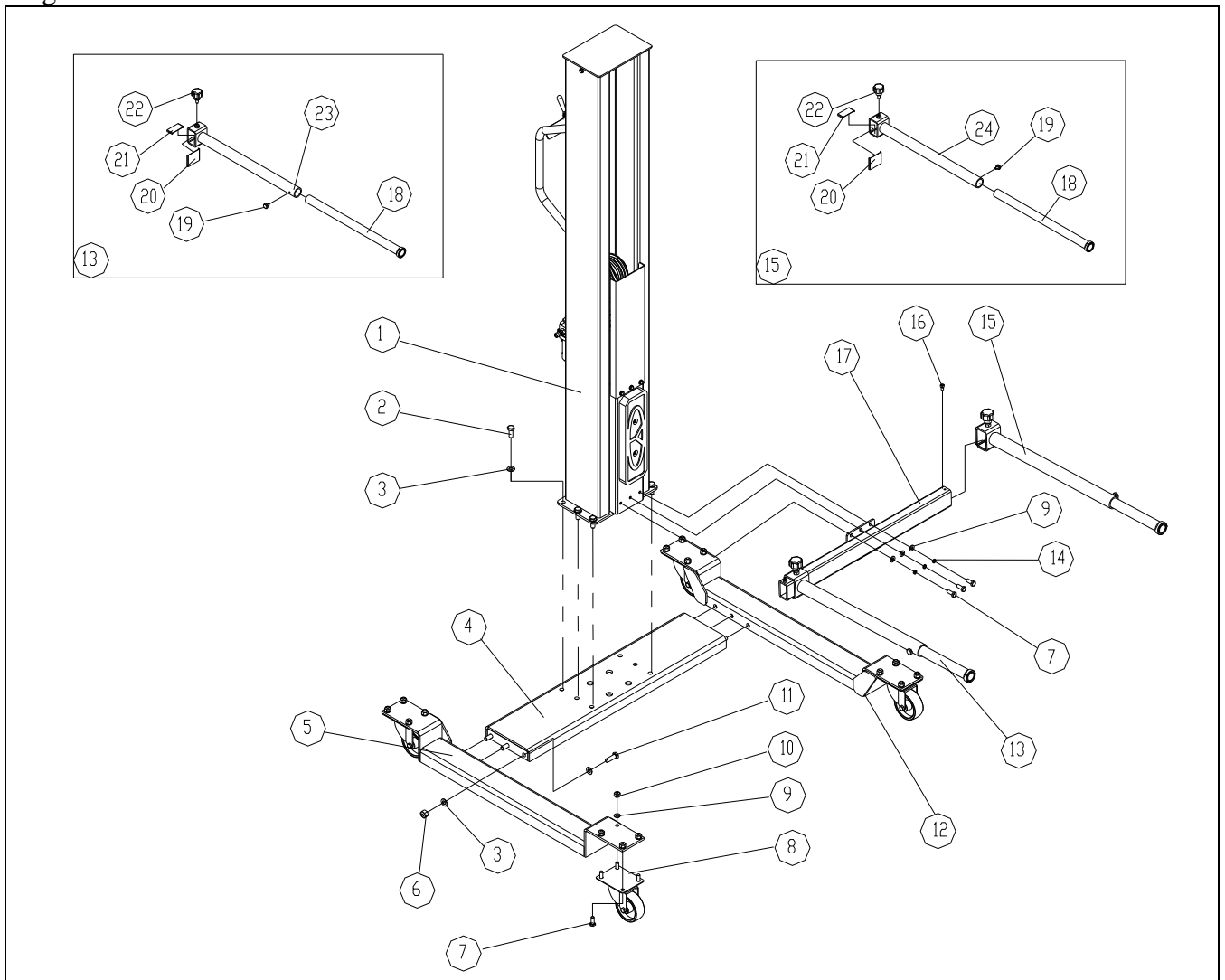
### 3.2 PNEUMATIC LINE CONNECTION

The pneumatic supply at site (to which the pneumatic system of the lift is connected) must be connected to the supplied lubricator.

For the connection of the pneumatic lines proceed as follow:

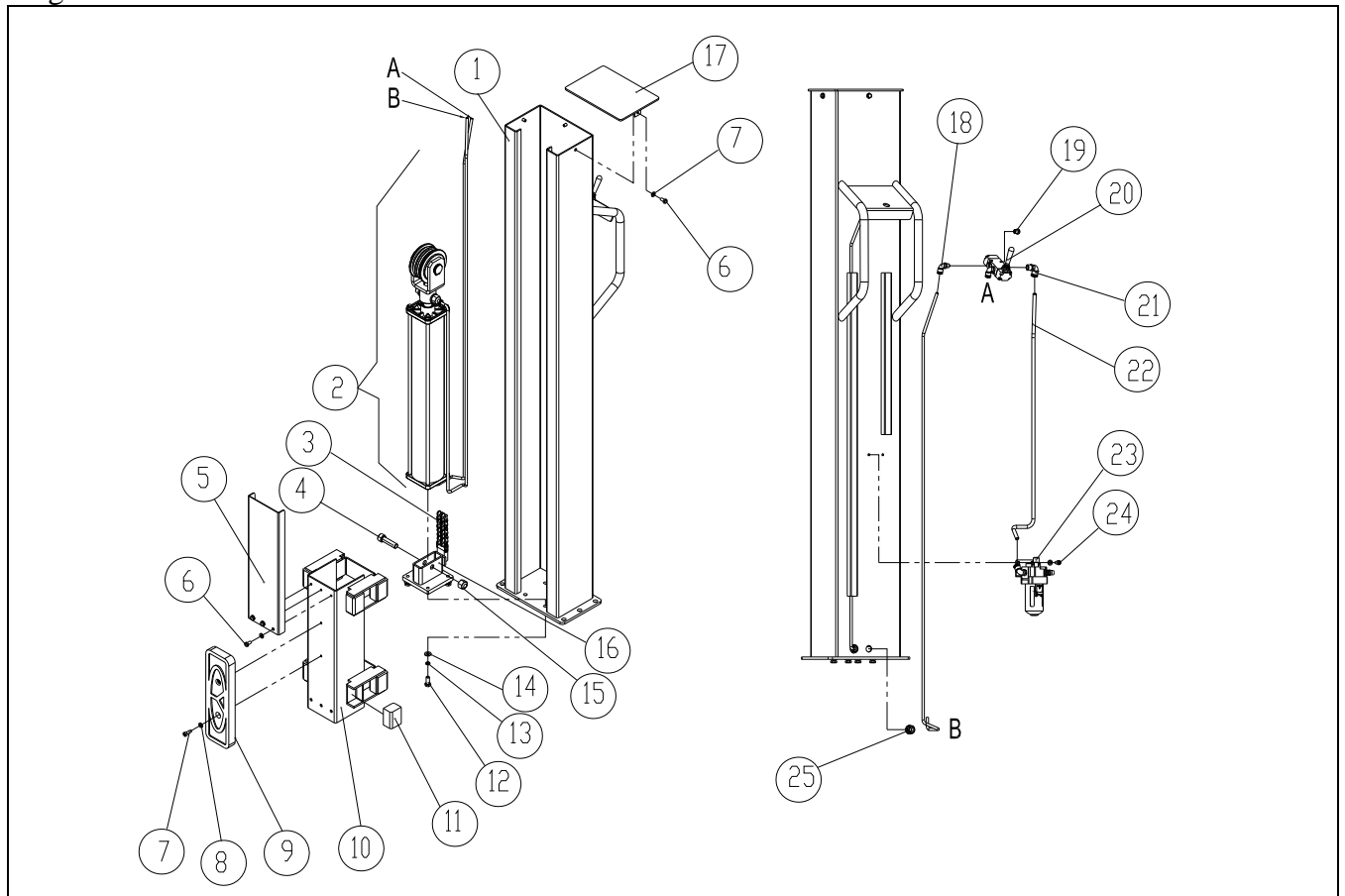
- Mount the lubricator on the rear of the post;
- Connect the pneumatic lines pre-assembled to the lubricator;
- Connect the servicing unit to the pneumatic supply at site;
- Check the pneumatic control operations for proper performance.

Figure 3 – EXPLODED DRAWING 01



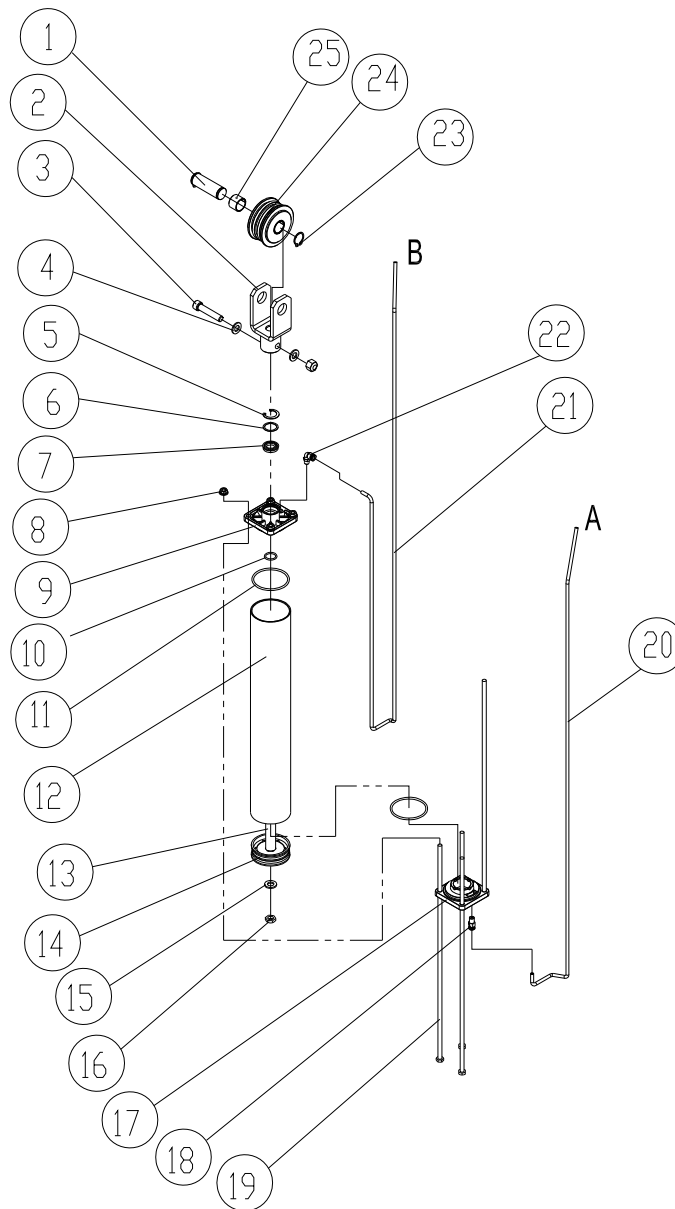
Item	Part number	Description	Qty	Item	Part number	Description	Qty
1	YCW2-2002000	Post	1	13	YCW2-2005100	Left arm	1
2	GB/T5783-2000	Screw M10X25	6	14	GB/T93-1987	Locking washer D.8	3
3	GB/T97.1-1985	Washer D.10	18	15	YCW2-2005200	Right arm	1
4	YCW2-2401100	Base	1	16	GB/T70.1-2000	Screw M6X10	2
5	YCW2-2401200	Left foot	1	17	YCW2-2402300	Cross beam	1
6	GB/T6184-1986	Self-locking nut M10	6	18	YCW2-2405300	Arm extension	2
7	GB/T5783-2000	Screw M8X20	19	19	MN-3029334	Screw	2
8	3303352	Universal caster	4	20	YCW2-3005001	Spacer A	2
9	GB/T97.1-1985	Washer D.8	19	21	YCW2-3005002	Spacer B	2
10	GB/T6184-1986	Self-locking nut M8	16	22	465429	Knob M8X20	2
11	GB/T5783-2000	Screw M10X30	6	23	YCW2-2405100	Left arm tube	1
12	YCW2-2401300	Right foot	1	24	YCW2-2405200	Right arm tube	1

Figure 4 – EXPLODED DRAWING 02



Item	Part number	Description	Qty	Item	Part number	Description	Qty
1	YCW2-2402100	Post	1	14	GB/T97.1-1985	Washer D.8	4
2	YCW2-2002100	Pneumatic cylinder	1	15	GB/T6184-2000	Self-locking M12	2
3	08B-2	Chain	1	16	YCW2-2402200	Cylinder support	1
4	GB/T5783-2000	Screw M12X45	1	17	YCW2-2402400	Post cover	1
5	YCW2-3002004	Chain protection	1	18		90° Union D.6-G1/8	2
6	GB/T5783-2000	Screw M6X12	6	19		Silencer G1/8	2
7	GB/T70.1-2000	Screw M6X16	2	20	368-905	Pneumatic switch	1
8	GB/T97.1-1985	Washer D.6	10	21		90° Union D.8-G1/8	1
9	XSZ-8-802-2	Rubber pad	1	22		Rilsan hose D8 680	1
10	YCW2-2403000	Carriage	1	23	YCW2-2002200	Lubricator	1
11	YCW2-3002001	Slider	8	24	GB/T70.1-2000	Screw M6X10	2
12	GB/T5783-2000	Screw M8X20	4	25		Cable relief D.10	2
13	GB/T93-1987	Locking washer D.8	4				

Figure 5 – EXPLODED DRAWING 02



Item	Part number	Description	Qty	Item	Part number	Description	Qty
1	YCW2-3002003	Pulley shaft	1	14	YC1-4198856	Piston	1
2	YCW2-2404000	Pulley bracket	1	15	GB/T97.1-1985	Washer D.12	1
3	GB/T5783-2000	Screw M12X60	1	16	GB/T6184-2000	Self-locking nut M12	1
4	GB/T97.1-1985	Washer D.12	2	17	YC1-3015023	Back flange	1
5	GB/T893.1-1986	Seeger D.30	1	18	SPC6-01	Union D.6-G1/8	1
6	YC1-4398146	Washer	1	19	YCH-3008334	Special screw	1
7		Seal 30X30X7	1	20		Rilsan hose D6 1200	1
8	GB/T 6177.1-2000	Flange nut M8	4	21		Rilsan hose D6 1800	1
9	YC1-3015024	Front flange	1	22	PL06-01	Union D.6-G1/8	1
10	GB/T3452.1-1992	O-ring 20X2.75	1	23	GB/T894.1-1986	Seeger D.25	2
11	GB/T3452.1-1992	O-ring 75X3.55	2	24	YCW2-3002002	Pulley	1
12	YCH-3008833	Cylinder liner	1	25	SF-1 2520 (DU)	Self-lubricated bush	2
13	YCH-3006649	Piston rod	1				



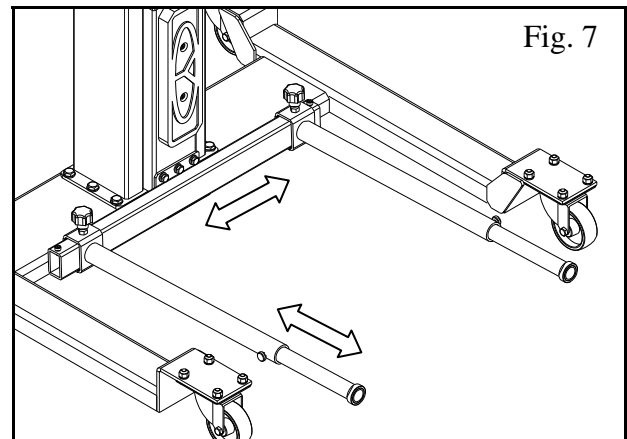
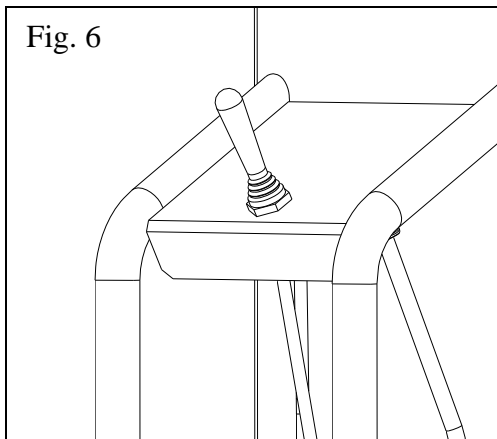
## CHAPTER 4 - OPERATION AND USE



**Never operate the lift with any person.**  
**Never exceed the rated lifting capacity.**  
**Never try to raise the lift over the rated lifting height!**

To operate the lift, do as follows:

- Move the lift close to the wheel to be lifted;
- Feed the air supply;
- Put down the switch lever (ref. fig. 6) to let the lift lower at the minimum height;
- Refer to the figure 7, unloose the screws then adjust the arm width and the length according to the wheel size;
- Place the wheel on the arms properly;
- Raise the lift by putting up the switch lever (ref. fig. 6);
- Rest the lift at a desired height by releasing the switch lever;
- Place the wheel onto the tire changer or the wheel balancer carefully;
- Move the lift out of the working space.



## CHAPTER 5 - MAINTENANCE



**Only trained personnel who knows how the lift works, must be allowed to service the lift.**

To service properly the lift, the following has to be carried out:

- use only genuine spare parts as well as equipment suitable for the work required;
- follow the scheduled maintenance and check periods shown in the manual;
- discover the reason for possible failures such as too much noise, air blow-by, etc.

Refer to documents supplied to carry out maintenance:

- exploded views with all data necessary for spare parts ordering
- list of possible faults and relevant solutions.

### 5.1 ORDINARY MAINTENANCE

The lift has to be properly cleaned at least once a month. Use self-cleaning clothes.



**The use of water or inflammable liquid is strictly forbidden**

- Be sure the rod of the pneumatic cylinders is always clean and not damaged since this may result in leakage from seals and, as a consequence, in possible malfunctions.
- Check the sliders are greased properly.
- Check the chain is greased properly.

### 5.2 PERIODIC MAINTENANCE

Every 3 months	Pneumatic circuit	<ul style="list-style-type: none"> <li>▪ check oil level in the lubricator reservoir; refill with oil, if needed;</li> <li>▪ check the circuit for air leakage.</li> </ul>
Every 6 months	Air valves	<ul style="list-style-type: none"> <li>▪ Check the reason for failure of valves</li> </ul>
Every 12 months	General check	<ul style="list-style-type: none"> <li>▪ verify that all components and mechanisms are not damaged</li> </ul>

## CHAPTER 6 - TROUBLESHOOTING

A list of possible troubles and solutions is given below:

<b>TROUBLE:</b>	<b>POSSIBLE CAUSE:</b>	<b>SOLUTION:</b>
The lift does not raise	The air supply is not fed.	Feed the air supply.
	The air pressure is not sufficient.	Regulate the air pressure higher.
	The air leakage in the circuit.	Check proper connections the hoses (replace if damaged).
	The seal in the cylinder is faulty	Check and replace if necessary.
	The air valve is faulty	Check and replace if necessary.
The lifting capacity is not sufficient	The air pressure is not sufficient.	Regulate the air pressure higher.
	The air leakage in the circuit.	Check proper connections the hoses (replace if damaged).
	The seal in the cylinder is faulty	Check and replace if necessary.
The lift does not lower	The air valve is faulty	Check and replace if necessary.
The lift does not stop in standing position	The air leakage in the circuit.	Check proper connections the hoses (replace if damaged).
	The seal in the cylinder is faulty	Check and replace if necessary.
The lift does not raise smoothly	The slider (s) damaged.	Check and replace if necessary.