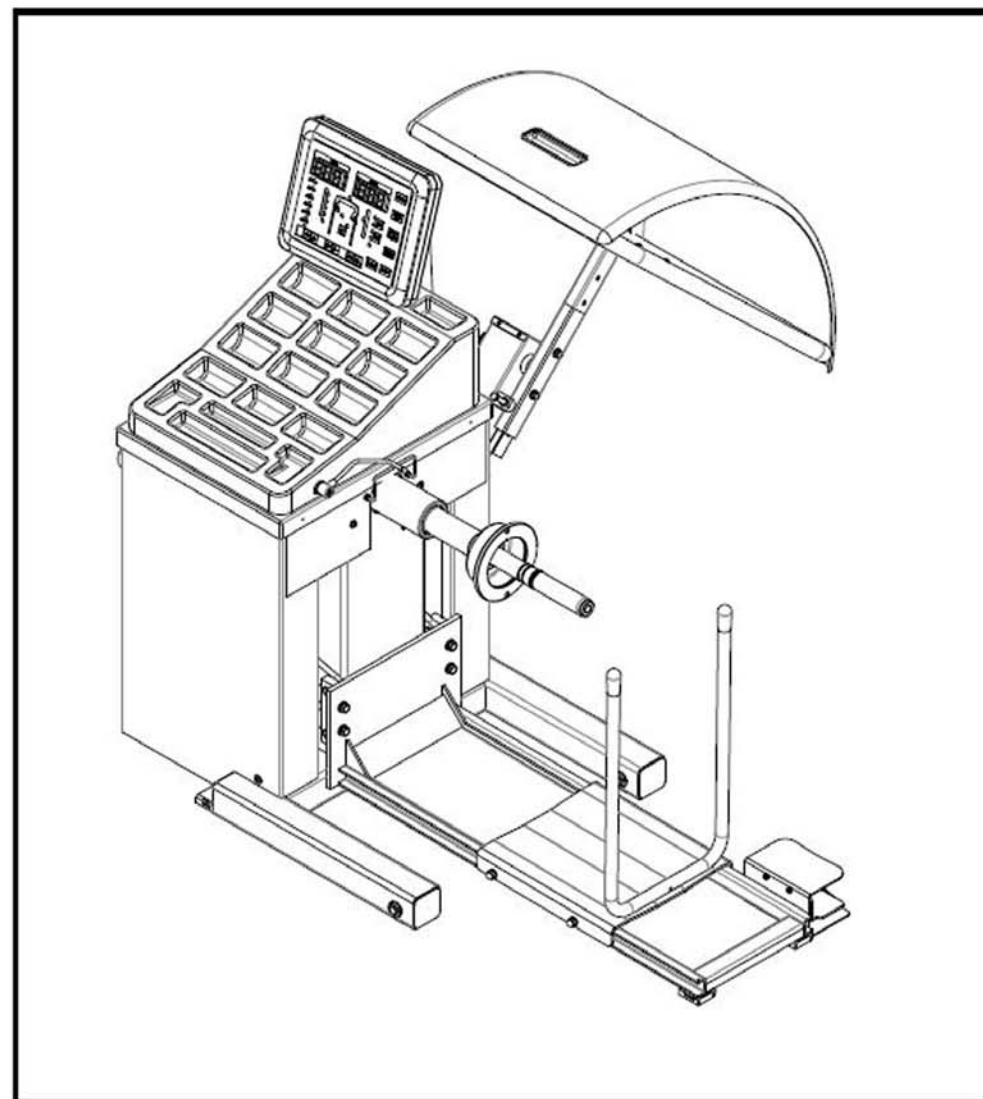
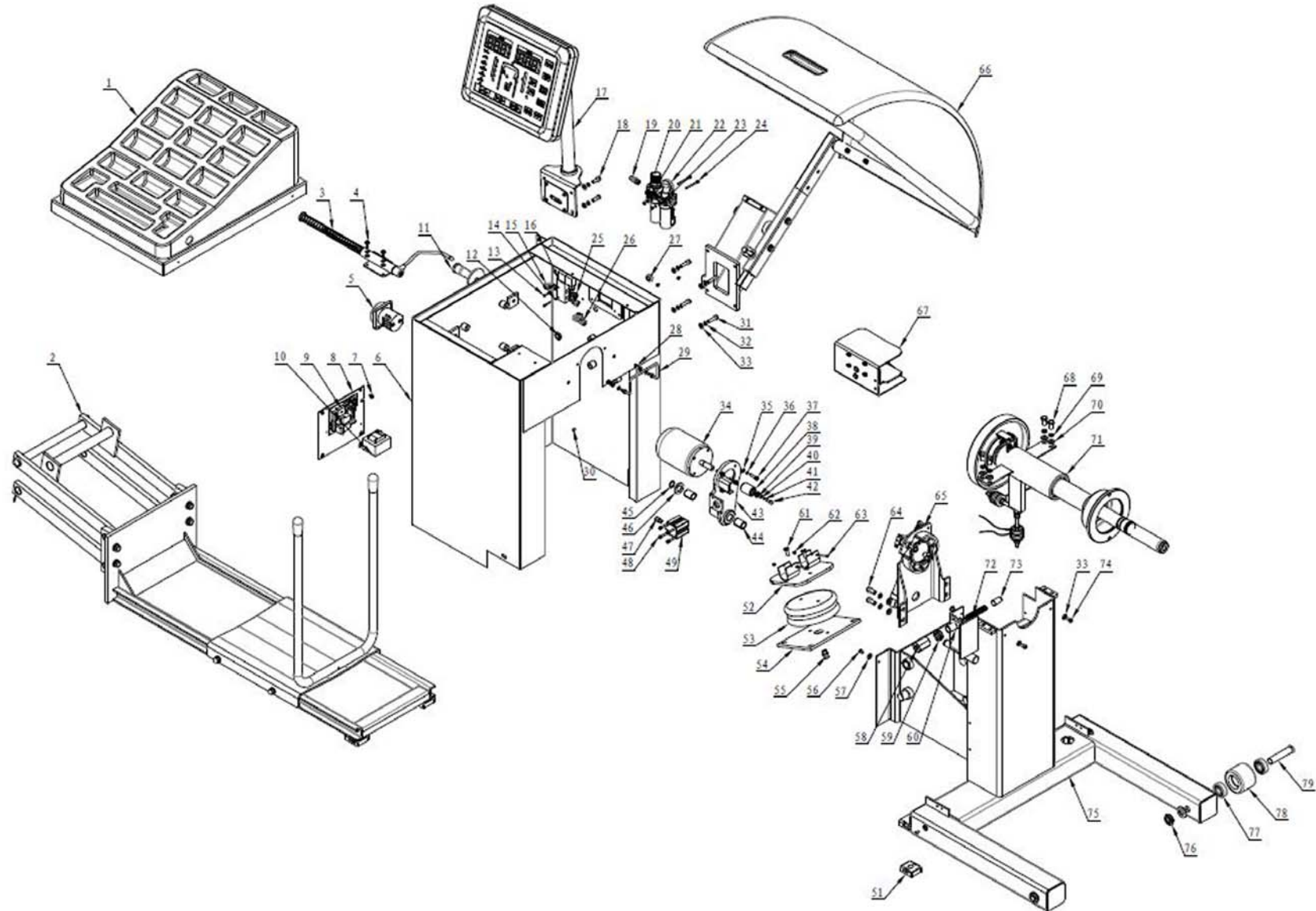


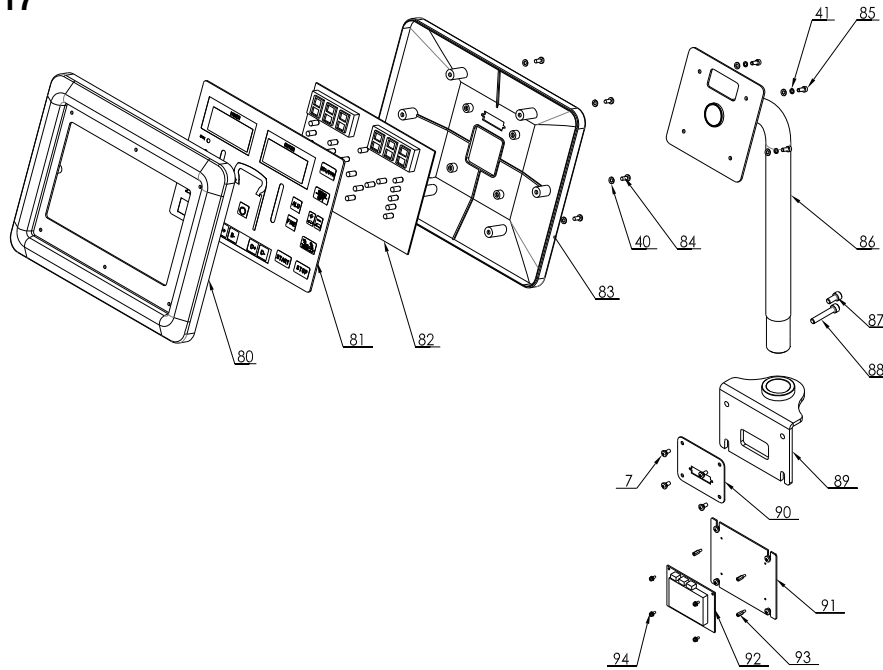
ED. 10/2011

**PART CATALOGUE**  
**WBT-210**  
**TRUCK WHEEL BALANCER**

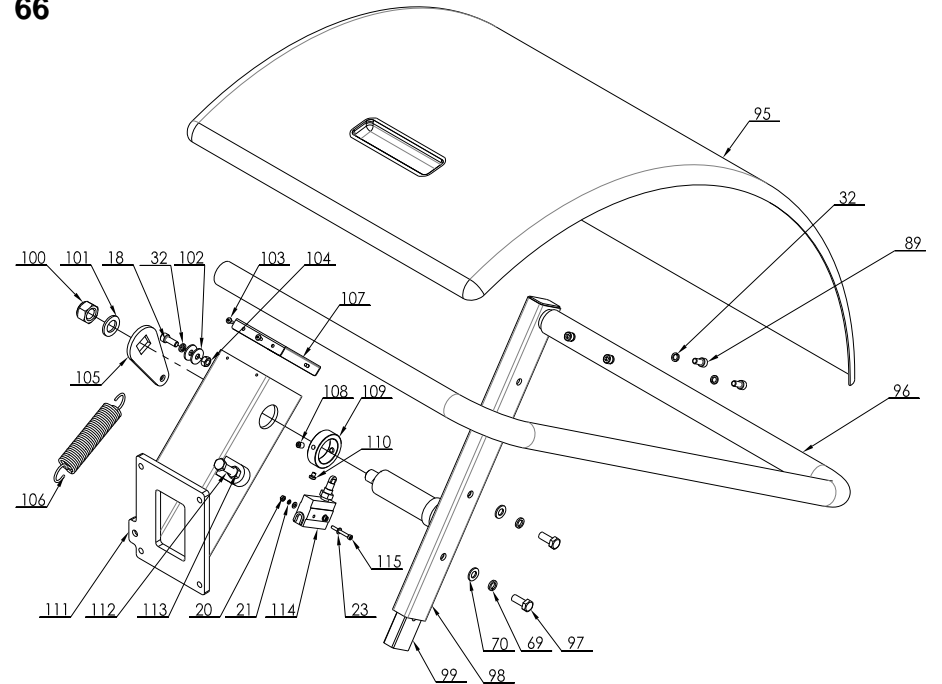




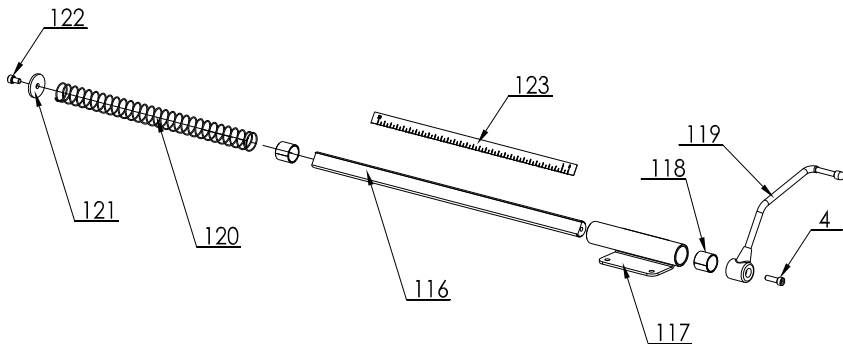
17



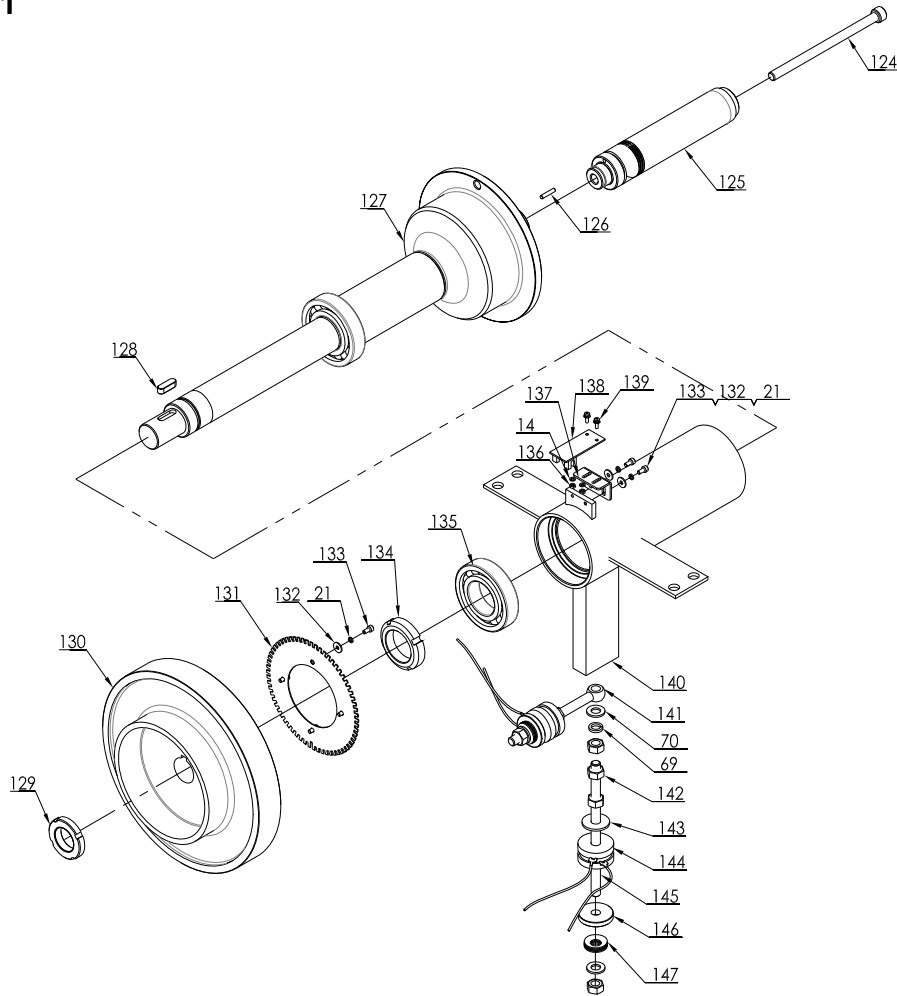
66



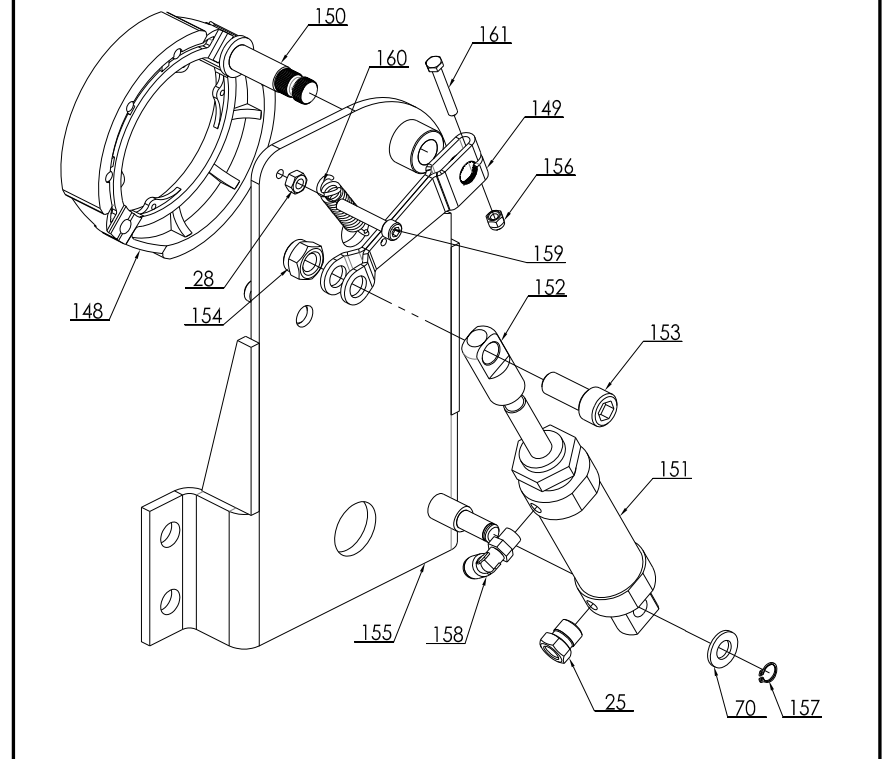
3

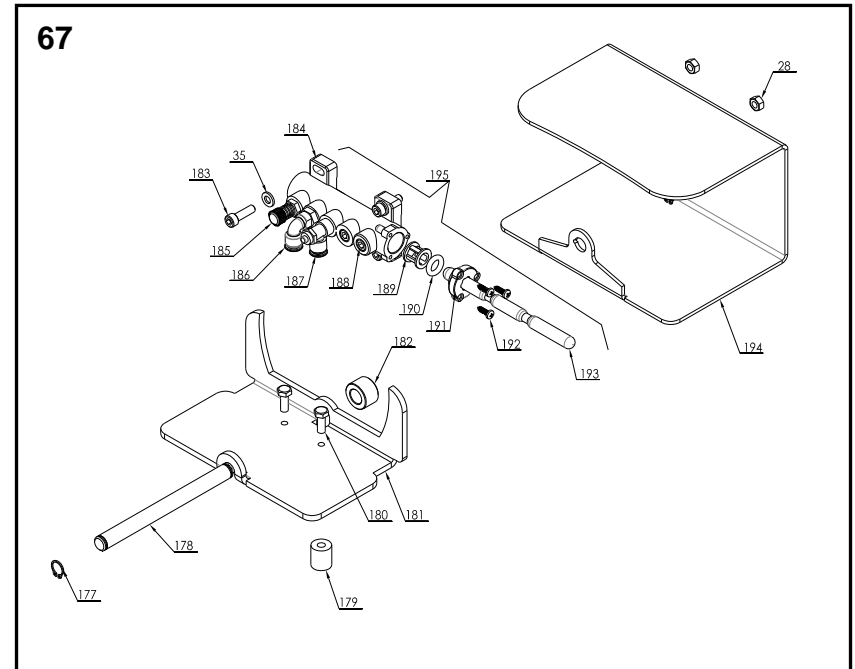
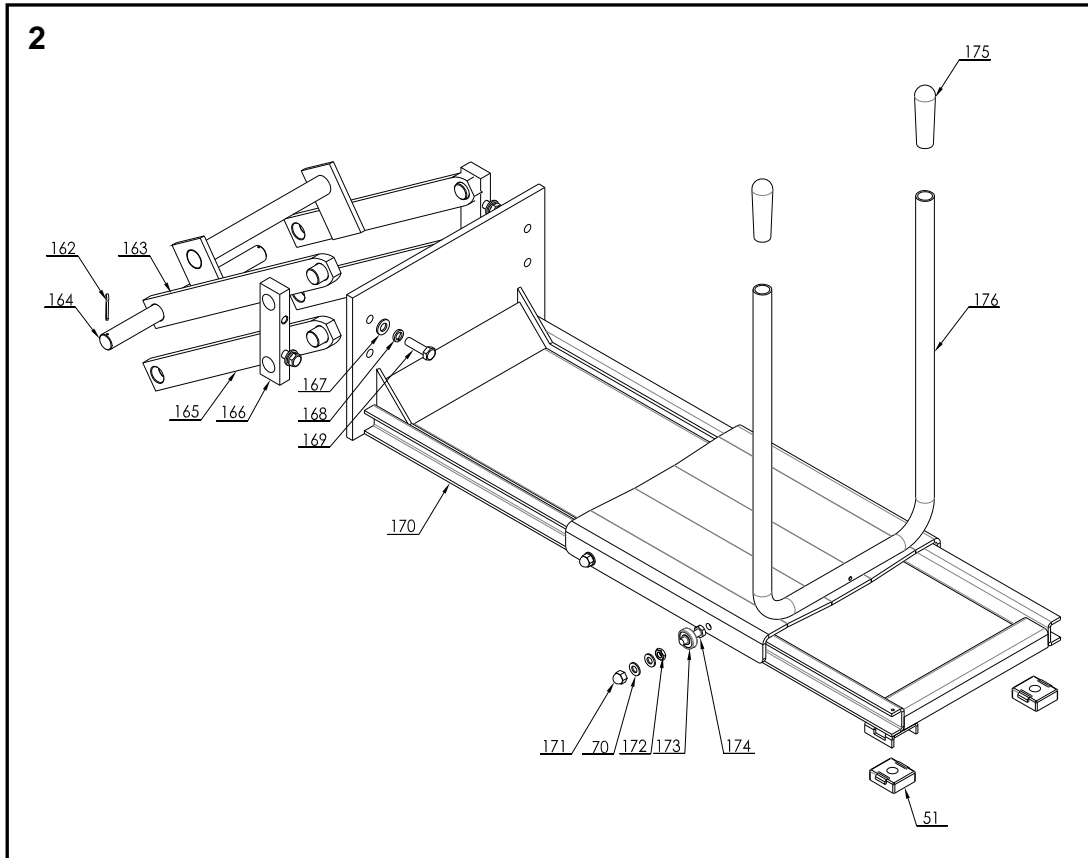


71



65





## MACHINE

ED. 10/11

ITEM	PART NO.	DESCRIPTION	QTY	REMARK
1	P3A-30002	Weight tray	1	
2	P5-20000	Wheel lift	1	
3	P3A-60000	Distance gauge	1	
4	0202032	Screw M6X16 - GB/T70.1	3	
5	0505006	Power switch 20A	1	
6	P5-12000	Casing	1	
7	0201017	Screw M5X10 - GB/T9074.4	12	
8	P3A-71000	Power board unit	1	
9	P3A-71001	Power board	1	
10	0503062	Transformer 220V/230V	1	
11	P1-22001	Cone holder	4	
12	0508010	Cable holder M18	1	
13	0206005	Screw M3X30 - GB/T818	4	
14	0205001	Washer D.3 - GB/T97.1	6	
15	0306047	90° quick union 6-1/4	2	
16	0307007	Control valve DC12V	2	
17	P5-60000	Control panel unit	1	
18	0202045	Screw M8X20 - GB/T70.1	5	
19	0306112	Union 1/4	1	
20	0203002	Nut M4 - GB52	4	
21	0208002	Spring washer D.4 - GB/T93	10	
22	P3A-41000	Lubrication unit	1	
23	0205002	Washer D.4 - GB/T97.1	6	
24	GB/T70.1	Screw M4X50	2	
25	0306087	Silencer 1/8	4	
26	0306027	Tee union D.6	2	
27	0206024	Cable relief D.16	1	

## MACHINE

ED. 10/11

28	0203004	Nut M6 - GB/T52	9
29	P5-10002	Distance gauge limit bar	1
30	0206031	Screw M6X10 - GB/T818	2
31	0202049	Screw M8X30 - GB/T70.1	4
32	0208006	Spring washer D.8 - GB/T93	13
33	0205008	Washer D.8 - GB/T97.1	10
34	0509115	Motor 0.25KW 220V/230V 1PH	1
35	0205006	Washer D.6 - GB/T97.1	14
36	0208005	Spring washer D.6 - GB/T93	8
37	0202034	Screw M6X25 - GB/T70.1	4
38	P5-43000	Friction driving roller	1
39	P3A-20010	Wheel cap	1
40	0205004	Washer D.5 - GB/T97.1	11
41	0208003	Spring washer D.5 - GB/T93	5
42	0202018	Screw M5X18 - GB/T70.1	1
43	P5-41000	Motor support	1
44	0210004	Self-lubricated bush 2030	2
45	0212005	Seeger D.20 - GB/T894.1	1
46	0205022	Washer D.20 - GB/T97.1	5
47	SPC6-01	Union	1
48	0202023	Screw M5X45 - GB/T70.1	4
49	0306010	Air cylinder 32X23	1
50	P3A-00001	Wheel ramp	1
51	YC1-3002099	Plastic foot	4
52	P5-25000	Support	1
53	0306090	Air balloon	1
54	P5-20004	Air balloon support	1

## MACHINE

ED. 10/11

55	0306043	Quick union 6-1/4	3
56	0206050	Screw M6X10 - GB/T70.2	4
57	0205007	Washer D.6 - GB/T96	4
58	P5-40001	Special nut	1
59	0203044	Nut M22X1.5 - GB/T810	1
60	P3A-20007	Bush	1
61	0201043	Screw M8X20 - GB/T5781	2
62	0204001	Self-locking nut M4 - GB/T889.1	2
63	0202010	Screw M4X50 - GB/T70.1	2
64	0202060	Screw M10X20	4
65	P5-42000	Braking unit	1
66	P5-50000	Wheel guard unit	1
67	P5-26000	Lift pedal unit	1
68	0201062	Screw M10X20 - GB/T5783	4
69	0208007	Spring washer D.10 - GB/T93	11
70	0205011	Washer D.10 - GB/T97.1	26
71	P5-30000	Balancing shaft unit	1
72	P3A-20008	Spring	1
73	P3A-20012	Nylon rod	1
74	0206054	Screw M8X12 - GB/T70.2	2
75	P5-11000	Frame	1
76	0204052	Anti-rotation nut M20X1.5 - GB/T812	2
77	0214012	Bearing 6204-2Z - GB/T276	4
78	0511050	Roller 80X60	2
79	P5-10001	Pin	2
80	P2-22001	Plastic frame	1
81	0507148	Control panel	1



## MACHINE

ED. 10/11

82	0507154	Display board	1
83	P2-22002	Back cover	1
84	0206041	Screw M5X12 - GB/T818	6
85	0202016	Screw M5X12 - GB/T70.1	4
86	P2-21200	Panel support	1
87	0202040	Screw M8X16 - GB/T70.1	5
88	0202046	Screw M8X45 - GB/T70.1	1
89	P2-21100	Support	1
90	P2-23101	Connection plate	1
91	P3A-72001	Board support	1
92	0507080	Computer board	1
93	0201149	Isolation pin	4
94	0201135	Screw M3X8 - GB/T9074.4	4
95	P1-31402	Wheel guard	1
96	P3A-50001	Guard support	1
97	0201063	Screw M10X25 - GB/T5781	2
98	P5-51000	Guard shaft	1
99	P5-53000	Extension arm	1
100	0204009	Nut M18 - GB/T889.1	1
101	0205021	Washer D.18 - GB/T97.1	1
102	0205009	Washer D.8 - GB/T96	2
103	0206023	Screw M4X8 - GB/T818	4
104	0203008	Nut M8 - GB52	1
105	P5-54000	Spring support	1
106	P1-31232	Spring	1
107	P5-50001	Cover	1
108	0209046	Screw M8X10 - GB/T80	2

## MACHINE

ED. 10/11

109	P1-31205	Alignment bush	1
110	0206014	Screw M5X6 - GB/T818	1
111	P5-52000	Support	1
112	0210070	Screw M10X60 - GB/T5781	1
113	0203011	Nut M10 - GB/T6170	1
114	0505017	Limit switch 7311	1
115	0202013	Screw M4X35 - GB/T70.1	2
116	P1-41101B	Gauge rod	1
117	P1-41300	Gauge support	1
118	0210002	Self-lubricated bush 2020	2
119	P3A-61000	Gauge index	1
120	P1-41212B	Spring	1
121	P1-41213B	Washer	1
122	0202024	Screw M6X12 - GB/T70.1	1
123	P1-41109	Scale decal	1
124	0202064	Screw M10X160 - GB/T70.1	1
125	P5-30003	Thread end piece	1
126	0213086	Elastic pin 4X20 - GB/T119.1	1
127	P5-31000	Balancing shaft	1
128	0213087	Tab 8X25 - GB/T1096	1
129	0204050	Round nut M30X1.5	1
130	P5-30004	Flywheel	1
131	P1-11002	Encode phase disk	1
132	0205003	Washer D.4 - GB/T96	6
133	0202008	Screw M4X8 - GB/T70.1	6
134	0204051	Round nut M40X1.5	1
135	0214022	Bearing 6208-2Z - GB/T276	2

## MACHINE

ED. 10/11

136	0203001	Nut M3 - GB/T52	2
137	P5-30002	Encoder support	1
138	0507085	Encoder	1
139	0201136	Screw M3X10 - GB/T9074.4	2
140	P5-32000	Shaft support	1
141	P5-30006	Special screw	1
142	0203009	Nut M10 - GB52	6
143	0205010	Washer D.10 - GB/T96	1
144	0507164	Piezo sensor	2
145	P5-30005	Special screw	1
146	P5-30001	Washer	2
147	P5-30007	Elastic washer	8
148	P5-42004	Braking disk	2
149	P5-42002	Lever	1
150	P5-42005	Braking stick	1
151	0306164	Air cylinder 32X30	1
152	P5-42001	Cylinder joint	1
153	0202090	Screw M12X30 - GB/T70.1	1
154	0204007	Nut M12 - GB/T889.1	1
155	P5-42100	Support	1
156	0204002	Nut M5 - GB/T889.1	1
157	0212013	Seeger D.10	1
158	0306030	90° quick union 6-1/8	1
159	0202027	Screw M6X35 - GB/T70.1	1
160	P5-42003	Spring	1
161	0201009	Screw M5X35 - GB/T5780	1
162	0213020	Elastic pin 3X30 - GB/T91-	2

## MACHINE

ED. 10/11

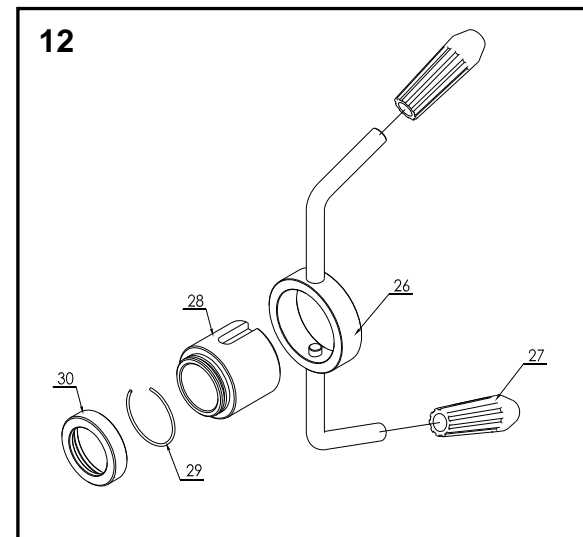
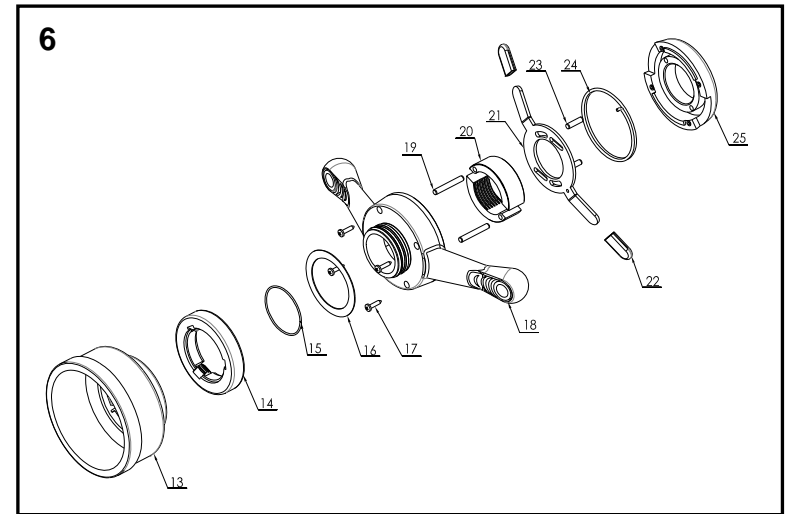
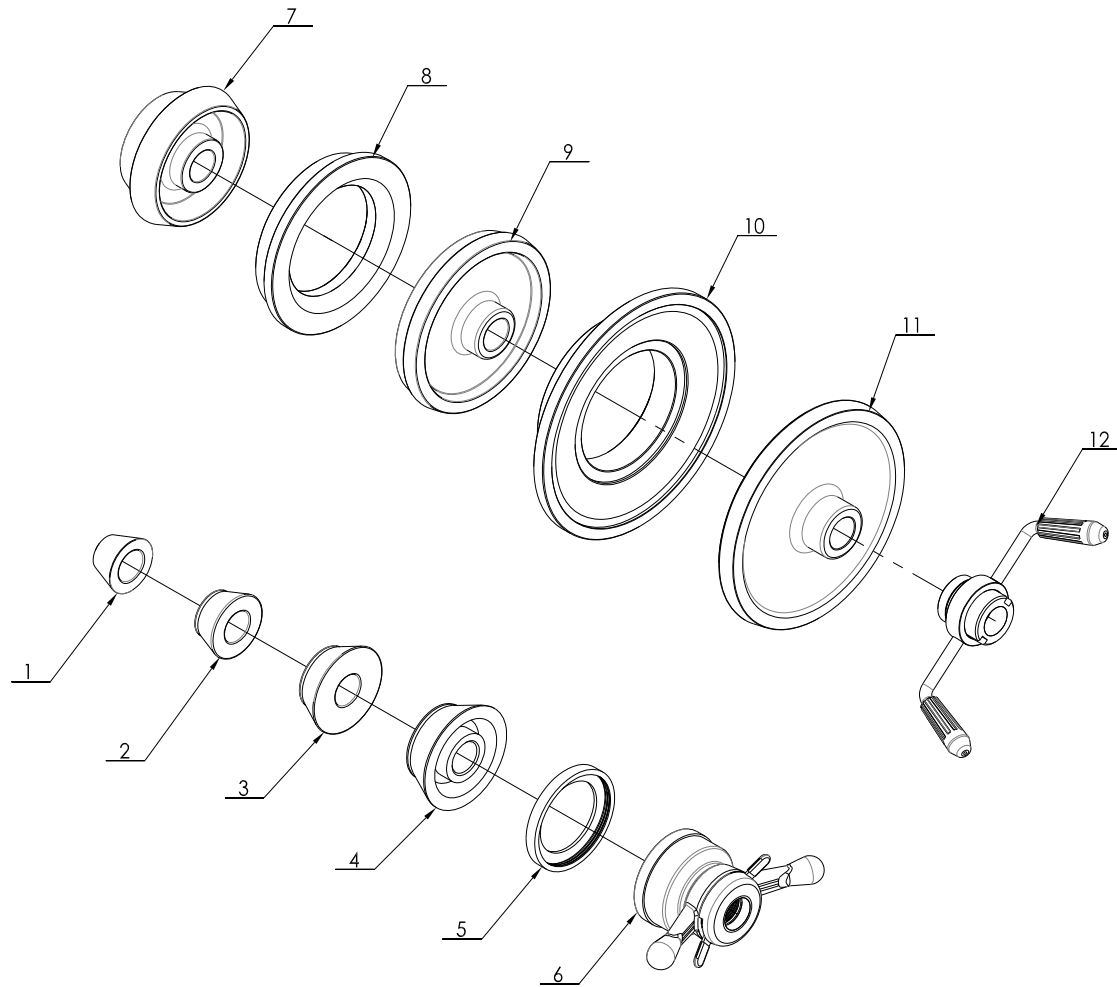
163	P5-22000	Lift arm	1
164	P5-20001	Pin	1
165	P5-24000	Bar	2
166	P5-20002	Connection rod	2
167	0205013	Washer D.12 - GB/T97.1	4
168	0208009	Spring washer D.12 - GB/T93	4
169	0201148	Screw M12X40 - GB/T5783	4
170	P5-21000	Lift table	1
171	0203027	Cap nut M10 - GB/T923	4
172	0204012	Nut M10 - GB/T6172	4
173	0214004	Bearing 6200-2Z - GB/T276	4
174	0201067	Screw M10X35 - GB/T5781	4
175	0511007	Handle D.22	2
176	P5-23000	Carriage	1
177	0212001	Seeger D.12	2
178	P5-26003	Pin	1
179	P5-26005	Nylon spring	2
180	0201012	Screw M6X16 - GB/T5781	2
181	P5-26002	Pedal	1
182	P5-26004	Spacer	1
183	0202033	Screw M6X20 - GB/T70.1	4
184	YC1-3001583	Valve body	1
185	0206013	Silencer outlet adjuster 1/8	1
186	0306138	90° quick union 6-1/8	1
187	0307005	Flow restrictor JSC6-01A	1
188	0305014	Plug 1/8	2
189	YC1-3001584	Valve spacer	5

	MACHINE		ED. 10/11
--	---------	--	-----------

190	YC1-4299000	O-ring 17X4	6
191	YC1-3001585	Valve flange	1
192	0207032	Self-tapping screw ST3.5X13 - GB/T845	3
193	P5-26101	Valve pin	1
194	P5-26001	Pedal support	1
195	P5-26100	Pedal valve unit	1

# STANDARD ACCESSORIES

ED. 10/11



## STANDARD ACCESSORIES

ED. 10/11

ITEM	PART NO.	DESCRIPTION	QTY	REMARK
1	P1-12001W	Cone 44-70	1	
2	P1-12002W	Cone 59-82	1	
3	P1-12003W	Cone 78-111	1	
4	P1-12004W	Cone 85-132	1	
5	P1-50001	Rubber cap	1	
6	P1-50000	Quick nut kit TR40X3	1	
7	P3A-00203	Cone 125-174		
8	P3A-00102	Spacer	1	
9	P3A-00202	Cone 211-224	1	
10	P3A-00101	Spacer	1	
11	P3A-00201	Cone 277-284	1	
12	P3-61000	Heavy wing nut TR40X3	1	
13	P1-50005	Clamping hood	1	
14	P1-50004	Quick nut	1	
15	P1-50008	Spring	1	
16	P1-50009	Washer	1	
17	GB/T845	Self-tapping screw ST3.5X16	4	
18	P1-50002	Nut lever	1	
19	GB/T119.2	Elastic pin 5X35	2	
20	P1-50012	Clamping nut	1	
21	P1-50006	Clamping plate	1	
22	P1-50013	Lever protection	2	
23	GB/T119.2	Elastic pin 5X18	2	
24	P1-50007	Returning spring	1	
25	P1-50003	Nut flange	1	
26	P3-61100	Nut lever	1	
27	P3-61004	Lever handle	1	

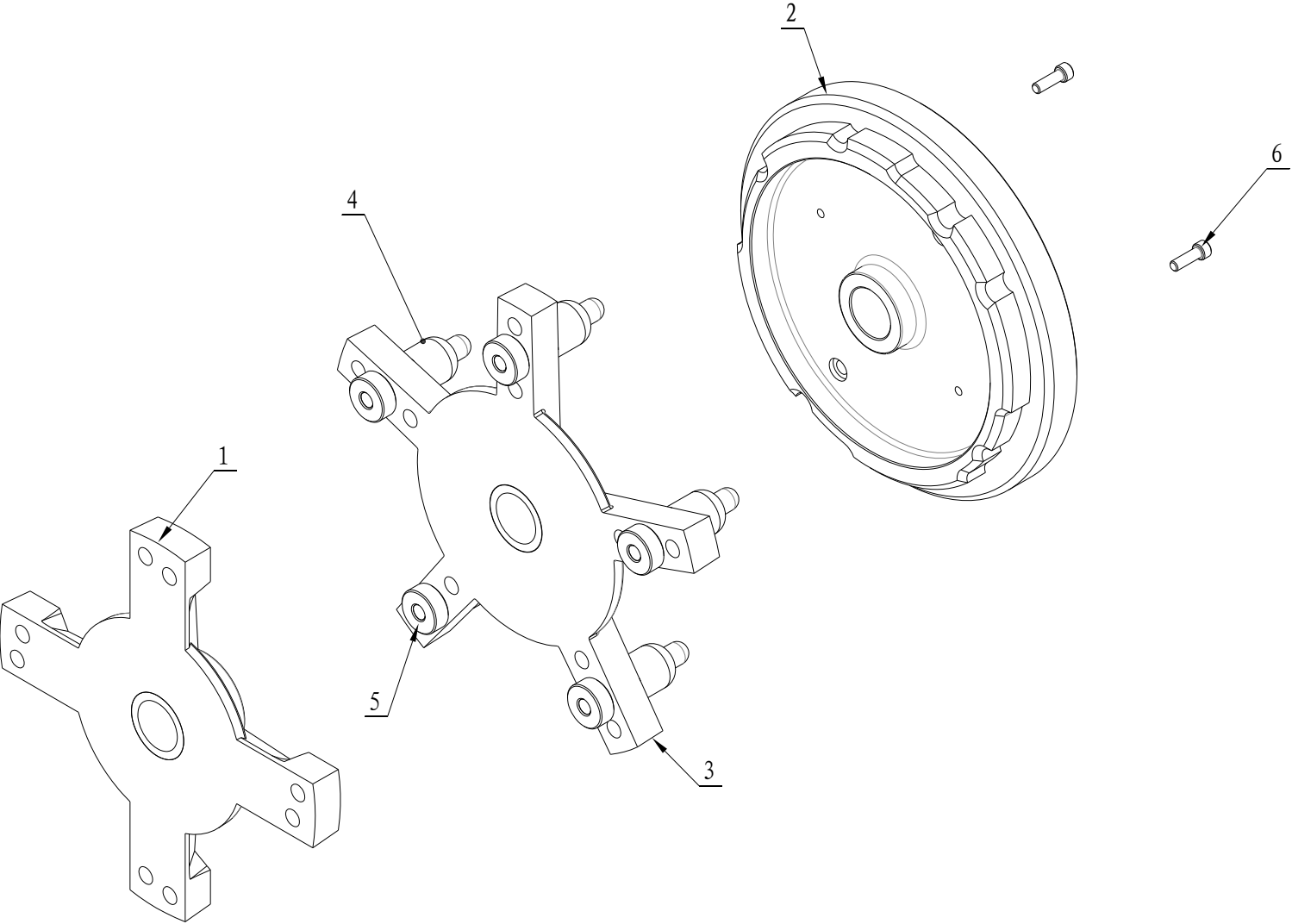
	STANDARD ACCESSORIES			ED. 10/11
--	----------------------	--	--	-----------

28	P3-61001	Nut	1
29	P3-61003	Spring	1
30	P3-61002	Nut cover	1



OPTIONAL ACCESSORIES

ED. 10/11



	<b>OPTIONAL ACCESSORIES</b>	<b>ED. 10/11</b>
--	-----------------------------	------------------

<b>ITEM</b>	<b>PART NO.</b>	<b>DESCRIPTION</b>	<b>QTY</b>	<b>REMARK</b>
1	PF-42000	Four arm clamping adaptor	1	
2	PF-40001	Centering flange	1	
3	PF-41000	Five arm clamping adaptor	1	
4	PF-40002	Lug	5	
5	PF-40003	Lug nut	5	
6	0202047	Screw M8X25	2	