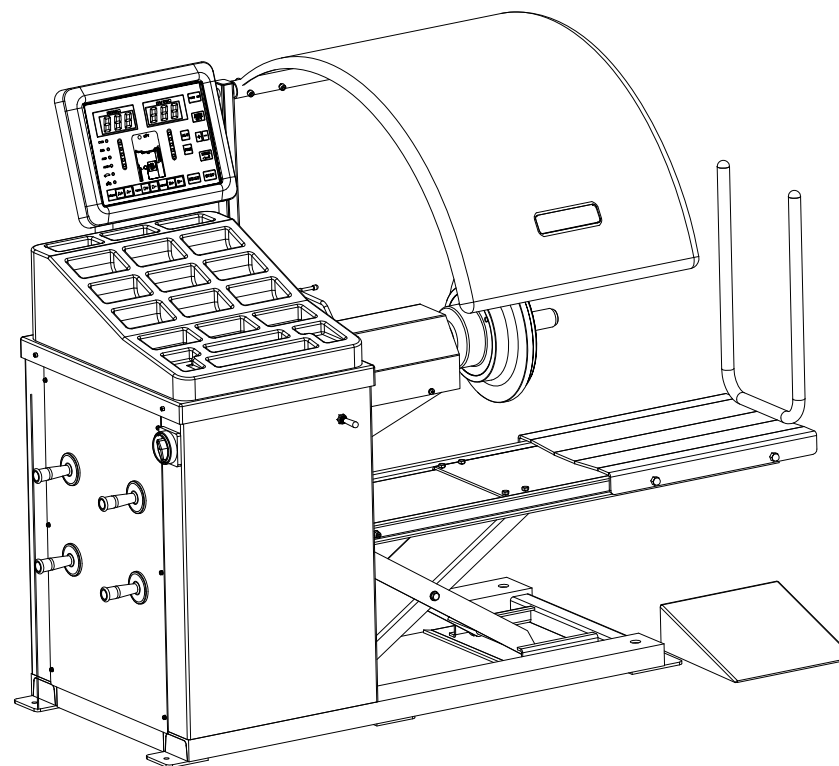
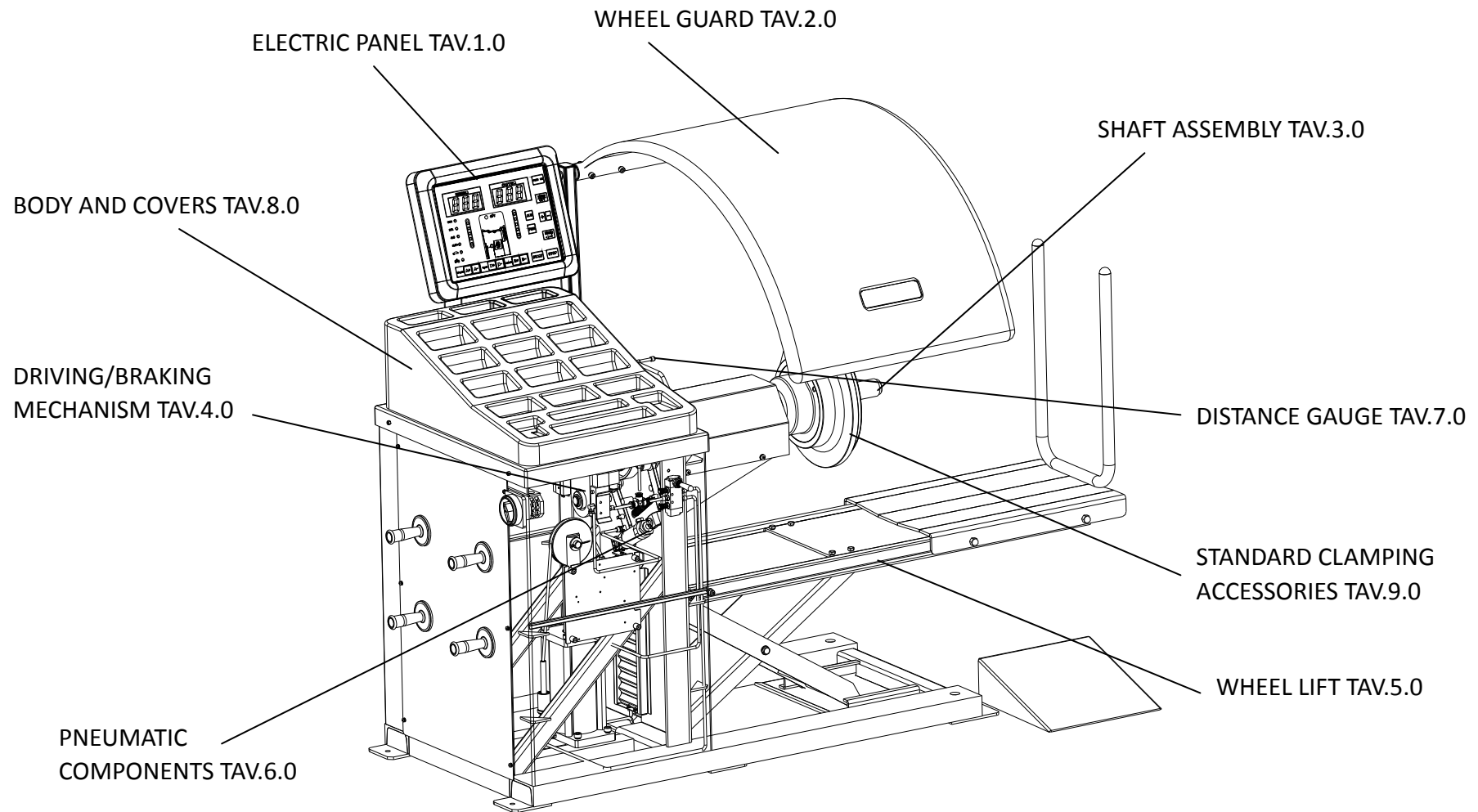
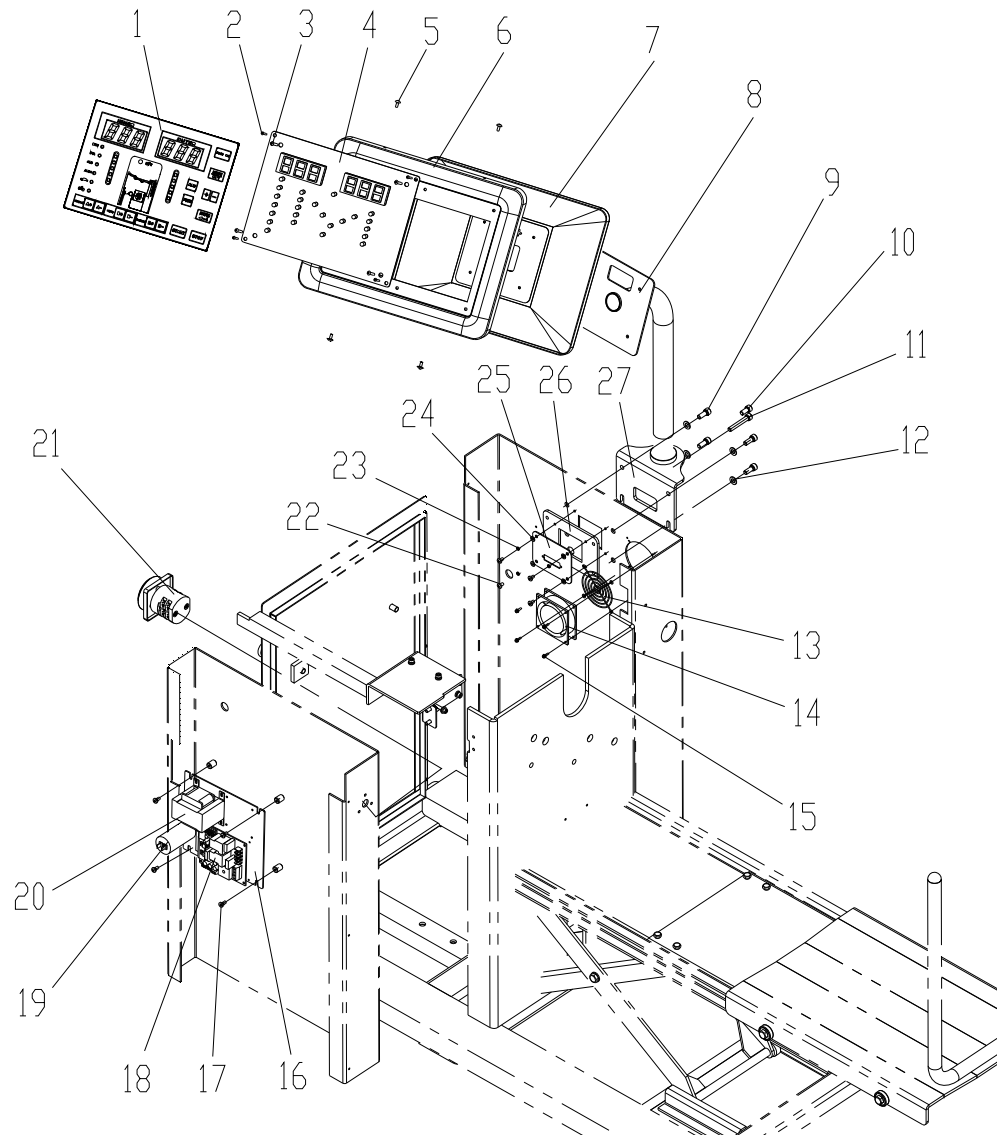


ED. 07/2010

**PART CATALOGUE**  
‡ " u  
**TRUCK WHEEL BALANCER**

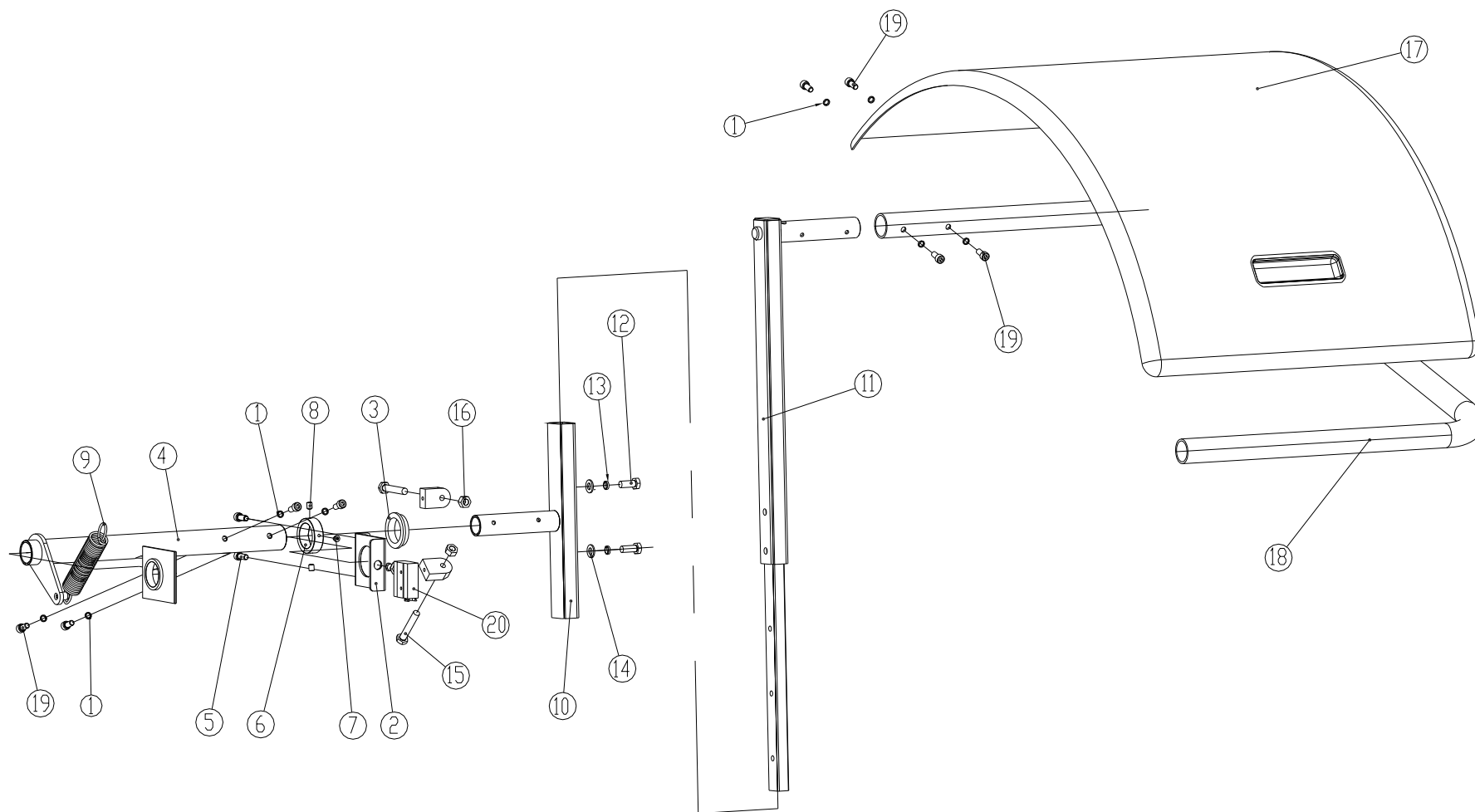






TAV.1.0	ELECTRIC PANEL	ED. 07/10
---------	----------------	-----------

ITEM	PART NO.	DESCRIPTION	QTY	REMARK
1	P3-99999	Control panel	1	
2		Screw M3X15	4	
3		Screw M4X15	4	
4	TDB-003D	Computer board	1	
5	GT/818-2000	Screw M4X10	4	
6	P2-22001	Panel frame	1	
7	P2-22100	Cover	1	
8	P2-21000	Panel support	1	
9	GB/T70.1-2000	Screw M8X20	4	
10	GB/T70.1-2000	Screw M8X16	1	
11	GB/T70.1-2000	Screw M8X50	1	
12	GB/T97.1-1985	Washer D.8	4	
13		Fan cover	1	
14	QA8025HSL2	Cooling fan	1	
15	GB/T9074.4-1988	Screw M3X12	4	
16	P1-31181	Board support	1	
17	GB/T9074.4-1988	Screw M5X10	4	
18	TDB-003P	Power board	1	
19	CBB60	Capacitor	1	
20	TDB-30B	Power transformer	1	
21	HZ5-20	Power switch	1	
22	GB/T818-2000	M5X10	4	
23	GB/T93-1987	Locking washer D.5	4	
24	GB/T97.1-1985	Washer D.5	4	
25	P2-23101	Connecting plate	1	
26	P2-31106	Reinforcing plate	1	
27	P2-21100	Support bracket	1	



TAV.2.0	WHEEL GUARD	ED. 07/10
---------	-------------	-----------

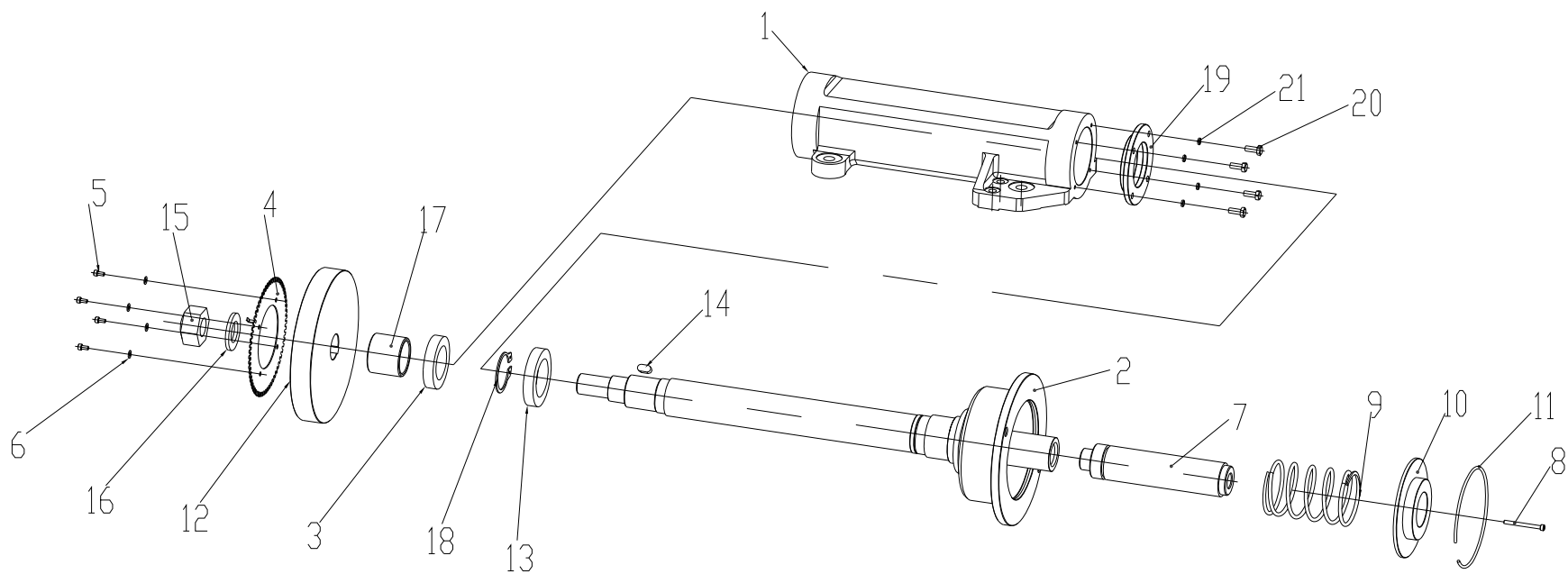
ITEM	PART NO.	DESCRIPTION	QTY	REMARK
1	GB/T93-1987	Locking washer D.8	8	
2	PI-31220	Switch bracket	1	
3	PI-31231	Bush	1	
4	P3A-51000	Arm support	1	
5	GB/T70.1-2000	Screw M8X20	2	
6	PI-31205	Bush	1	
7	GB/T 818-2000	Screw M5X6	1	
8	GB/T 80-2000	Screw M8X10	2	
9	P1-31232	Spring	1	
10	P3A-52000	Guard shaft	1	
11	P3A-53000	Guard arm	1	
12	GB/T5781-2000	Screw M10X25	2	
13	GB/T93-1987	Locking washer D.10	2	
14	GB/T97.1-1985	Washer D.10	2	
15	GB/T5781-2000	Screw M10X60	2	
16	GB/T6170-2000	Nut M10	2	
17	PI-31402	Wheel guard	1	
18	PI-31401	Guard frame	1	
19	GB/T70.1-2000	Screw M8X16	8	
20	AZ7311	Micro switch	1	



TAV.3.0	SHAFT ASSEMBLY	ED. 07/10
---------	----------------	-----------

ITEM	PART NO.	DESCRIPTION	QTY	REMARK
1	P3A-11000	Shaft	1	
2	GB/T70.1-2000	Screw M8X40	4	
3	GB/T93-1987	Locking washer D.8	8	
4	GB/T97.1-1985	Washer D.8	8	
5	PI-11200	Piezo assembly	3	
6	P3A-10002	Leaf spring support	2	
7	P3A-10003	Spring	2	
8	P3A-10005	Leaf spring support	2	
9	P3A-10006	Spring cap	4	
10	GB/6170-2000	Nut M8	12	
11	GB/T901-1988	Screw M8X130	4	
12	P3A-10007	Leaf spring support	2	
13	GB/T70.1-2000	Screw M8X60	4	
14	P3A-10004	Spring	2	
15	P3A-10001	Leaf spring	1	
16	P3A-20005	L-plate	1	
17	GB/T97.1-1985	Washer D.6	12	
18	GB/T70.1-2000	Screw M6X16	6	
19	GB/T93-1987	Locking washer D.6	6	
20	P3A-20006	Encoder support	1	
21	GB/T9074.4-1988	Screw M3X10	2	
22	GB/T6170-2000	Nut M6	2	
23	TDB-001C	Phase encoder	1	
24	GB/T6170-2000	Nut M3	2	
25	GB/T97.1-1985	Washer D.3	2	





TAV.3.1	SHAFT	ED. 07/10
---------	-------	-----------

ITEM	PART NO.	DESCRIPTION	QTY	REMARK
1	P3A-11001	Shaft housing	1	
2	P3A-11100	Balancing wheel	1	
3	GB/276-1994	Bearing 61908	1	
4	P1-11002	Encoder phase disk	1	
5	GB/T70.1-2000	Screw M4X8	4	
6	GB/T97.1-1985	Washer D.4	4	
7	P1-10021	Thread end piece	1	
8	GB/T70.1-2000	Screw M4X40	1	
9	P1-11010	Captured spring	1	
10	P1-11011	Spring cover	1	
11	P1-11012	Seeger	1	
12	P3A-11003	Flywheel	1	
13	GB/276-1994	Bearing 61909	1	
14	GB/T1096-1979	Tab 8X16	1	
15	GB/T1337-1988	Self-locking nut M24	1	
16	GB/T97.1-1985	Washer D.24	1	
17	P3A-11002	Spacer	1	
18	GB/T894.2-1986	Seeger D.45	1	
19	P3A-10008	Flange	1	
20	GB/T5780-2000	Screw M6X15	4	
21	GB/T93-1987	Locking washer D.6	4	

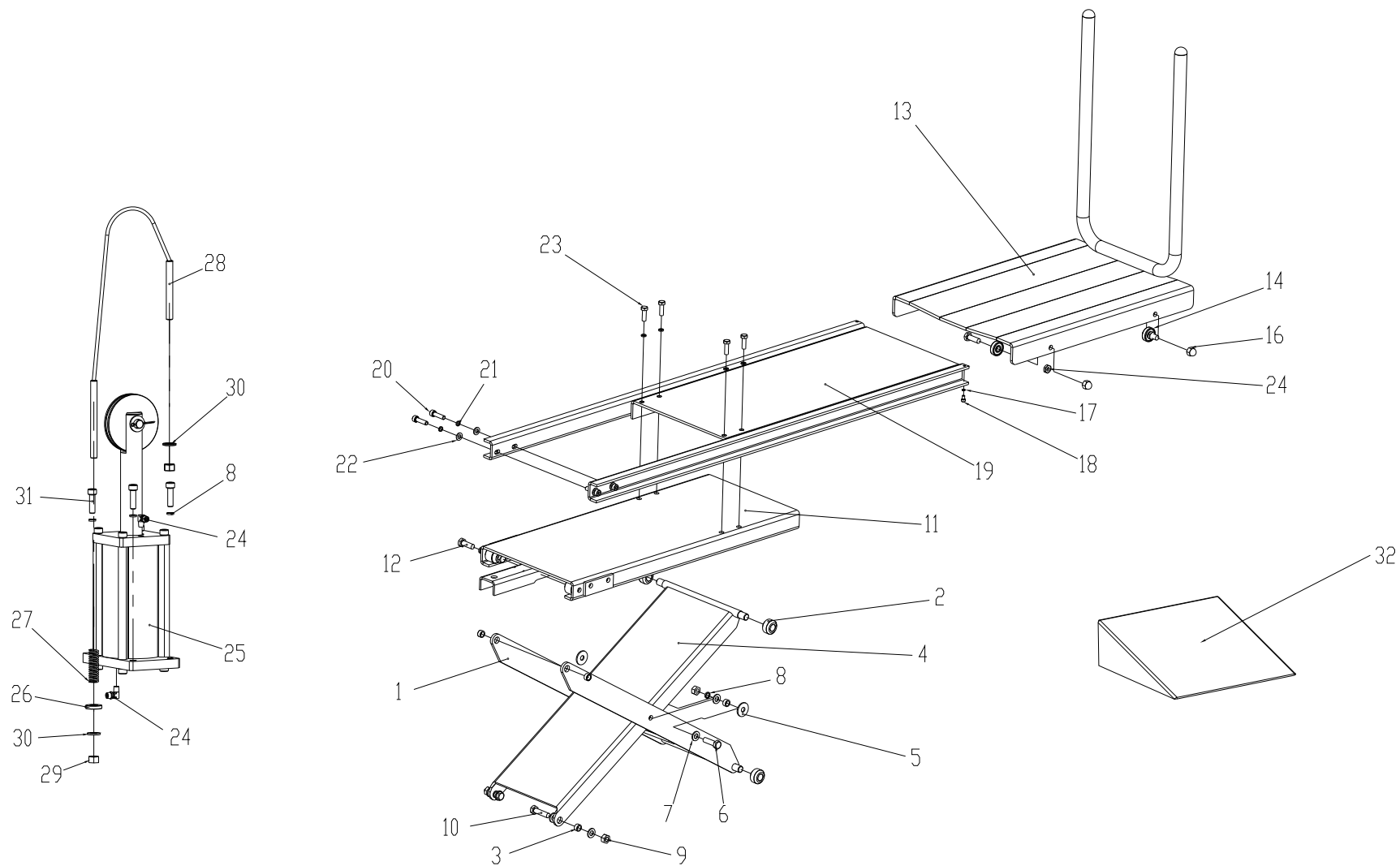


TAV.4.0	DRIVING/BRAKING MECHANISM	ED. 07/10
---------	---------------------------	-----------

ITEM	PART NO.	DESCRIPTION	QTY	REMARK
1	MY7126-GM	Motor 110V/220V/230V	1	
2	GB/T70.1-2000	Screw M4X55	4	
3	GB/T96-1985	Washer D.5	4	
4	GB/T93-1987	Locking washer D.5	8	
5	GB/T70.1-2000	Screw M5X20	4	
6	P3A-20400	Driving roller	1	
7	P3A-20010	Roller cap	1	
8	P3A-20009	Nut	1	
9	GB/T97.1-1985	Washer D.4	5	
10	GB/T70.1-2000	Screw M4X40	5	
11	GB/T97.1-1985	Washer D.14	3	
12	P3A-20008	Spring	1	
13	P3A-20012	Nylon rod	1	
14	GB/T810-1988	Nut M22X1.5	1	
15	P3A-20007	Spring guide	1	
16	SF-1 (DU)	Self-lubricated bush 1520	4	
17	P3A-20003	Spring	1	
18	P3A-20200	Right brake lever	1	
19	GB/T91	Split pin 2X22	2	
20	P3A-20002	Coupler	1	
21	P3A-20004	Pin	2	
22	PSV-01	Silencer 1/8	2	
23	QGCX-32-20-S	Braking cylinder	1	
24	KLL6-01	90° union D.8 1/4	1	
25	P3A-20300	Left brake lever	1	
26	GB/T97.1-1985	Washer D.10	4	
27	GB/T894.1-1986	Seeger D.15	1	

TAV.4.0	DRIVING/BRAKING MECHANISM	ED. 07/10
---------	---------------------------	-----------

28	P3A-20201	Brake cloth	2
29	P3A-20100	Motor support	1
30	SF-1 (DU)	Self-lubricated bush 2030	2
31	GB/T894.1-1986	Seeger D.20	1
32	QGY32X23	Clutching cylinder	1
33	GB/T93-1987	Locking washer D.4	5
34	KLC6-01	Rotation union D.6 1/8	1



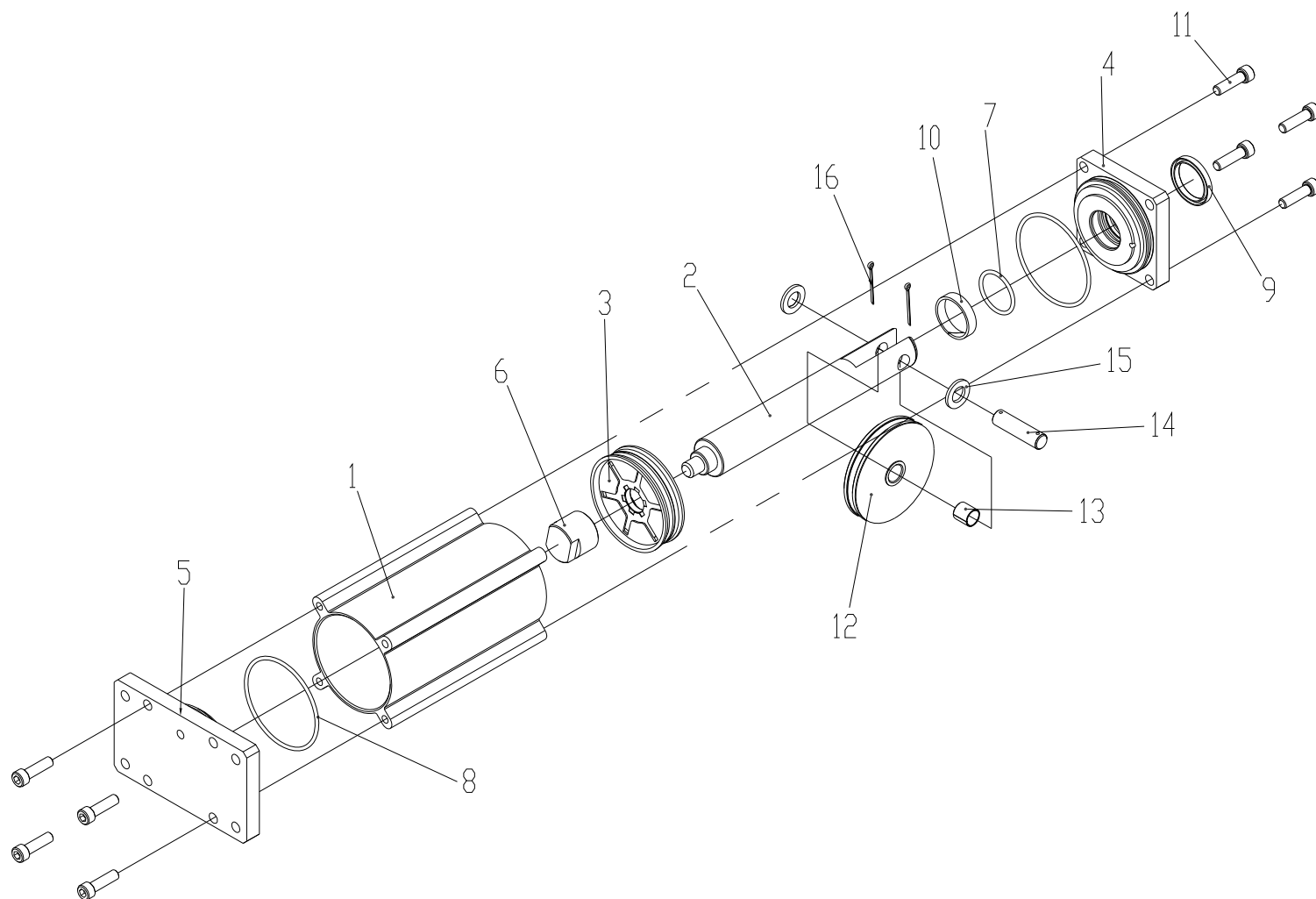
TAV.5.0	WHEEL LIFT	ED. 07/10
---------	------------	-----------

ITEM	PART NO.	DESCRIPTION	QTY	REMARK
1	P3A-81000	Outer arm	1	
2	P3A-80001	Roller	4	
3	P3A-80002	Bush	6	
4	P3A-82000	Inner arm	1	
5	GB/T96-1985	Washer D.10	2	
6	GB-T5780-2000	Screw M10X35	2	
7	GB/T97.1-1985	Washer D.10	10	
8	GB/T93-1987	Locking washer D.10	10	
9	GB/T6170-2000	Nut M10	4	
10	GB-T5780-2000	Screw M10X40	2	
11	P3A-84000	Top table	1	
12	GB-T5780-2000	Screw M10X30	6	
13	P3A-85000	Sliding table	1	
14	GB/T276-1994	Bearing 6200-2Z	4	
15	GB/T6172-1986	Nut M10	4	
16	GB/T923-1988	Cap nut M10	4	
17	GB/T93-1987	Locking washer D.5	2	
18	GB/T70.1-2000	Screw M5X8	2	
19	P3A-83000	Table extension	1	
20	GB/T70.1-2000	Screw M8X30	4	
21	GB/T93-1987	Locking washer D.8	8	
22	GB/T97.1-1985	Washer D.8	4	
23	GB-T5780-2000	Screw M8X25	4	
24	KLL6-01	90° union D.8 1/4	2	
25	P3A-21000	Pneumatic cylinder	1	
26	P3A-20011	Spring support	1	
27	P3A-20001	Spring	1	

TAV.5.0	WHEEL LIFT	ED. 07/10
---------	------------	-----------

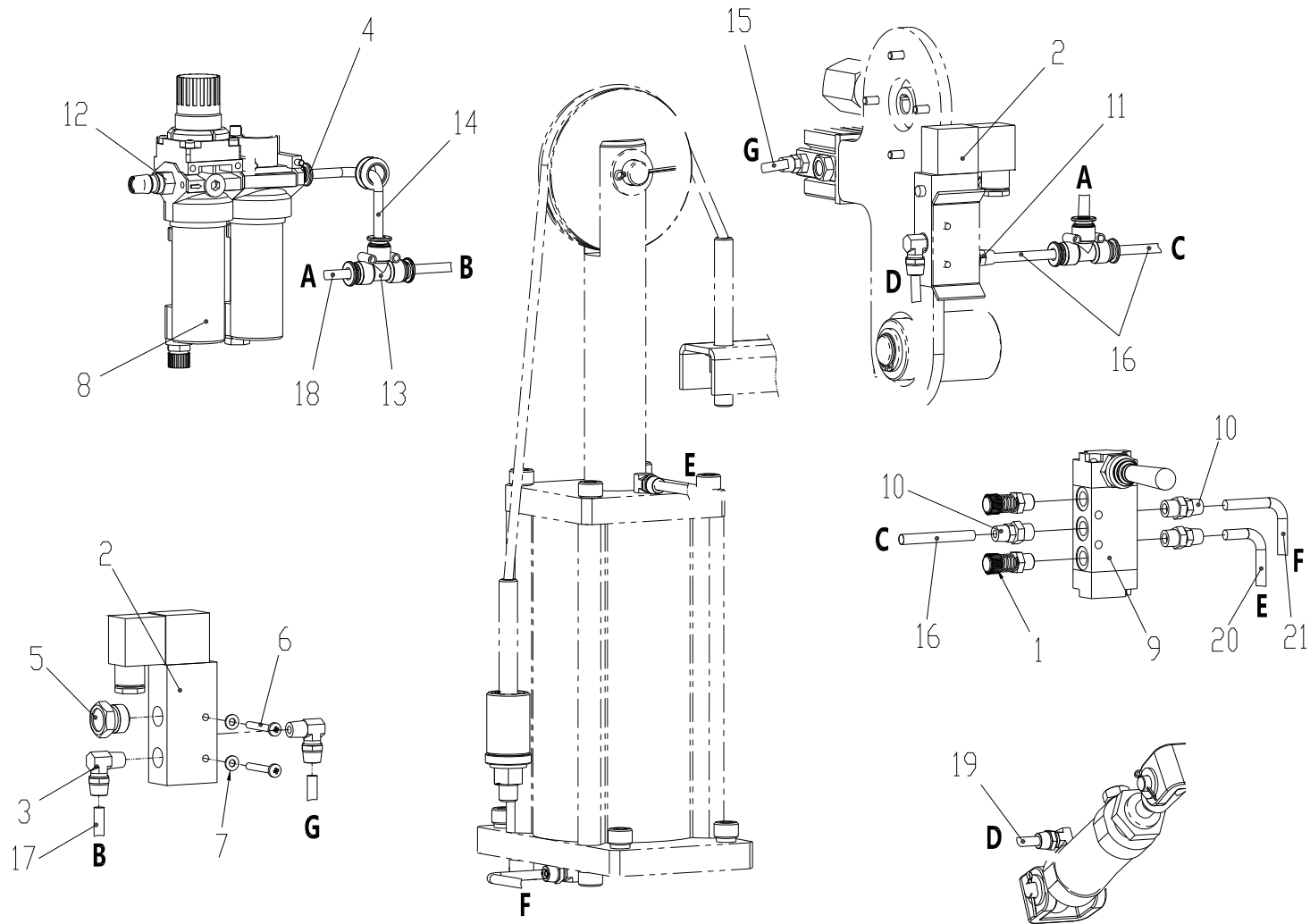
28	P3A-20500	Steel cable	1
39	GB/T6170-2000	Nut M12	2
30	GB/T97.1-1985	Washer D.12	2
31	GB/T70.1-2000	Screw M10X35	4
32	P3A-00001	Access ramp	1





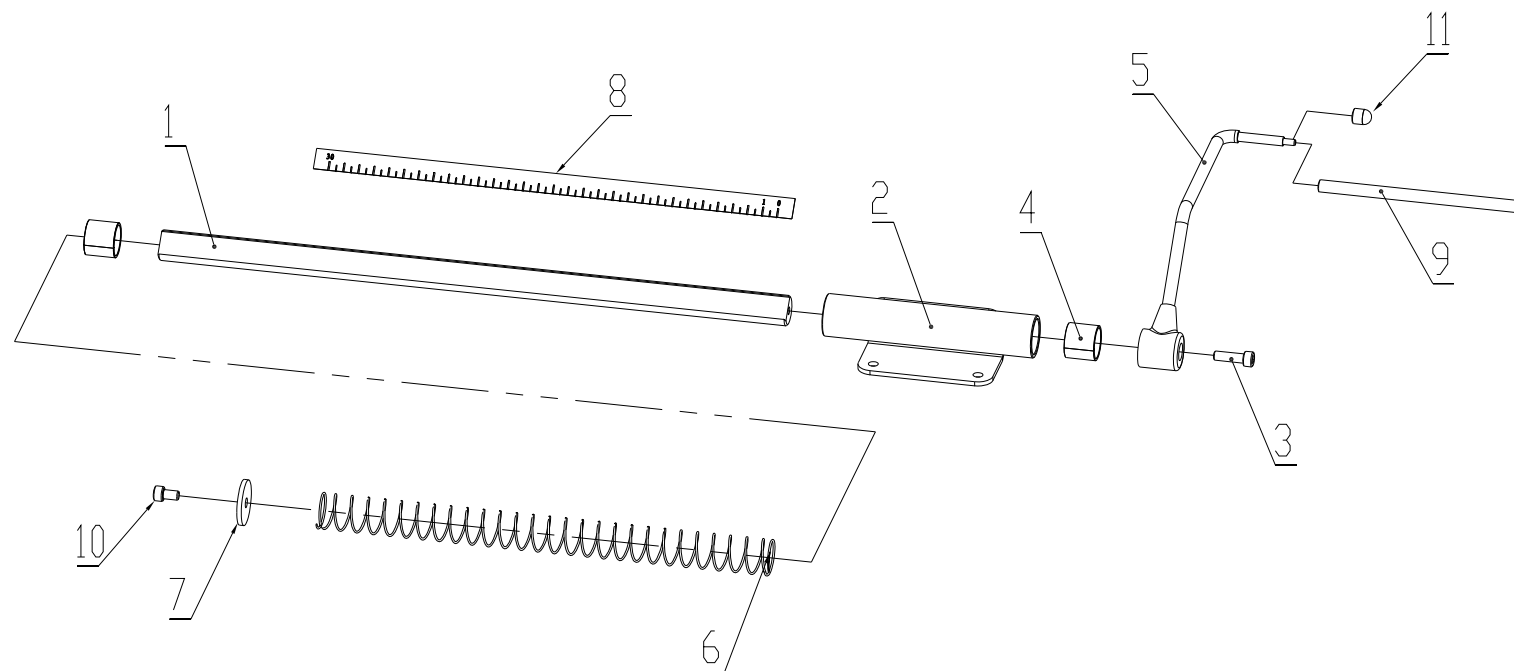
TAV.5.25	PNEUMATIC CYLINDER	ED. 07/10
----------	--------------------	-----------

ITEM	PART NO.	DESCRIPTION	QTY	REMARK
1	P3A-210001	Cylinder liner	1	
2	P3A-21002	Piston rod	1	
3	HP-3018562	Piston 100mm	1	
4	HP-3018535	Top flange	1	
5	P3A-21003	Back flange	1	
6	P3A-21004	Nut	1	
7	GB/T-3452.1-82	O-ring 40X3.55	1	
8	GB/T-3452.1-82	O-ring 92.5X3.55	2	
9		Sealing ring 40X50X6	1	
10		Guiding ring 10X2.5	1	
11	GB/T70.1-2000	Screw M10X35	8	
12	P3A-21005	Pulley	1	
13	SF-1 (DU)	Self-lubricated bush 2030	1	
14	P3A-21006	Pulley shaft	1	
15	GB/T97.1-1985	Washer D.16	2	
16	GB/T91	Split pin 2.5X40	2	



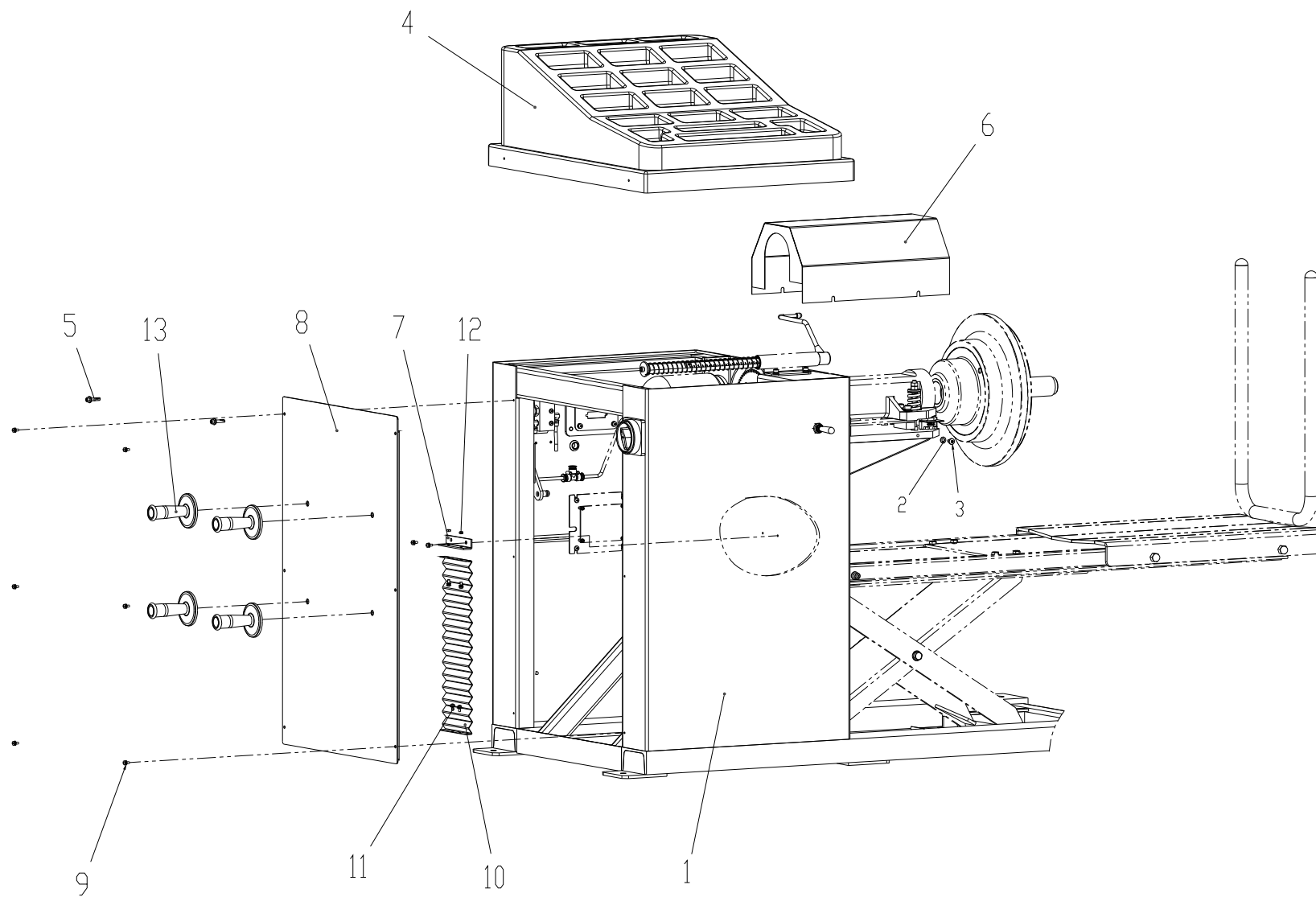
TAV.6.0	PNEUMATIC COMPONENTS	ED. 07/10
---------	----------------------	-----------

ITEM	PART NO.	DESCRIPTION	QTY	REMARK
1	RSW1/8	Flow restrictor	2	
2	3V210-08-NC	Solenoid air valve	2	
3	KTL6-02	90° union D.6 1/4	3	
4	BPC6-02	Rotation union D.6 1/4	1	
5	PSV-02	Silencer 1/4	2	
6	GB/T818-2000	Screw M4X30	4	
7	GB/T97.1-1985	Washer D.4	5	
8	SFC-200	Lubricator/regulator	1	
9	368-905	Pneumatic switch	1	
10	KTC6-01	Union D.6 1/8	3	
11	KTC6-02	Union D.6 1/4	1	
12	SC-8-02	Union D.6 1/4	1	
13	BPE-6	Tee union D.6	2	
14	P3A-40001	Rilsan hose D.6	1	
15	P3A-40002	Rilsan hose D.6	1	
16	P3A-40003	Rilsan hose D.6	2	
17	P3A-40004	Rilsan hose D.6	1	
18	P3A-40005	Rilsan hose D.6	1	
19	P3A-40006	Rilsan hose D.6	1	
20	P3A-40007	Rilsan hose D.6	1	
21	P3A-40008	Rilsan hose D.6	1	



TAV.7.0	DISTANCE GAUGE	ED. 07/10
---------	----------------	-----------

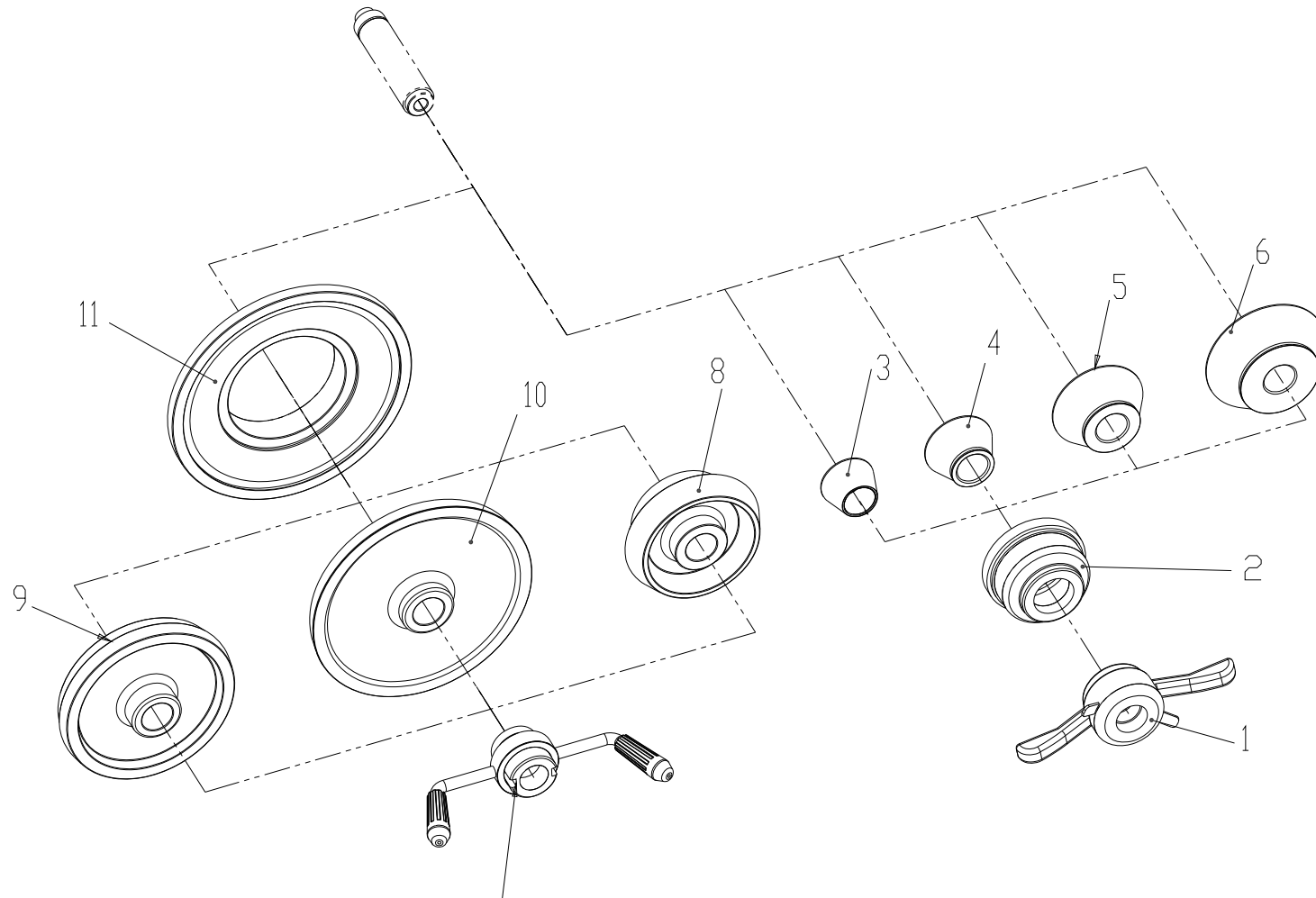
ITEM	PART NO.	DESCRIPTION	QTY	REMARK
1	PI-41101B	Gauge rod	1	
2	PI-41300	Gauge bracket	1	
3	GB/T70.1-2000	Screw M6X20	1	
4	SF-1 (DU)	Self-lubricated bush 2020	2	
5	P3A-61000	Gauge index	1	
6	PI-41212B	Spring	1	
7	PI-41213B	Washer	1	
8	PI-41109	Gauge scale	1	
9	PI-100001	Gauge extension	1	
10	GB/T70.1-2000	Screw M6X10	1	
11	PI-41214B	Index cap	1	



TAV.8.0	BODY AND COVERS	ED. 07/10
---------	-----------------	-----------

ITEM	PART NO.	DESCRIPTION	QTY	REMARK
1	P3A-31000	Body	1	
2	GB/T97.1-1985	Washer D.6	4	
3	GB/T818-2000	Screw M6X10	4	
4	P3A-30002	Weight tray/cover	1	
5	GB/T5285	Self-tapping screw 5.5X25	4	
6	P3A-33000	Shaft cover	1	
7	P3A-30001	Curtain support	1	
8	P3A-32000	Side cover	1	
9	GB/T9074.4-1988	Screw M4X10	6	
10	P3A-30003	Protection curtain	1	
11	GB/T9074.4-1988	Screw M4X8	6	
12	GB/T6170-2000	Nut M4	2	
13	PI-22001	Cone holder	4	





TAV.9.0	STANDARD CLAMPING ACCESSORIES	ED. 07/10
---------	-------------------------------	-----------

ITEM	PART NO.	DESCRIPTION	QTY	REMARK
1	TR40X3	Quick locking nut	1	
2		Pressure cup	1	
3	P1-12001	Cone D.46-68	1	
4	P1-12002	Cone D.55-87	1	
5	P1-12003	Cone D.73-117	1	
6	P1-12004	Cone D.102-154	1	
7	P3-61000	Swing locking nut	1	
8	P3A-00203	Cone D.152-174	1	
9	P3A-00202	Cone D.218-224	1	
10	P3A-00201	Cone D.277-284	1	
11	P3A-00101	Spacer	1	
			1	